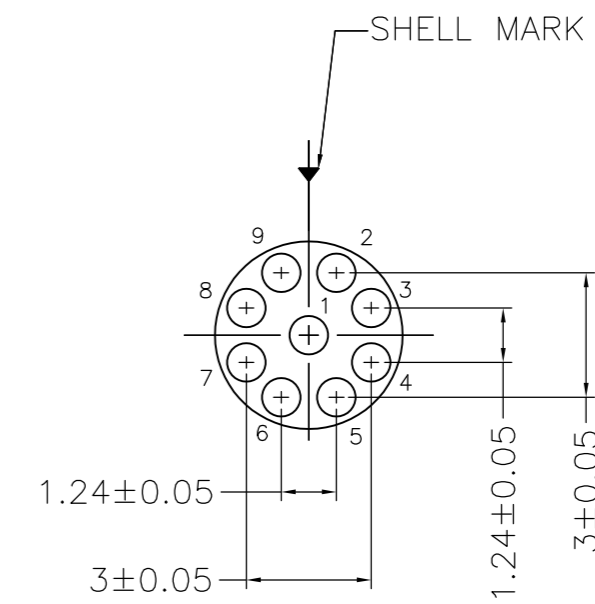
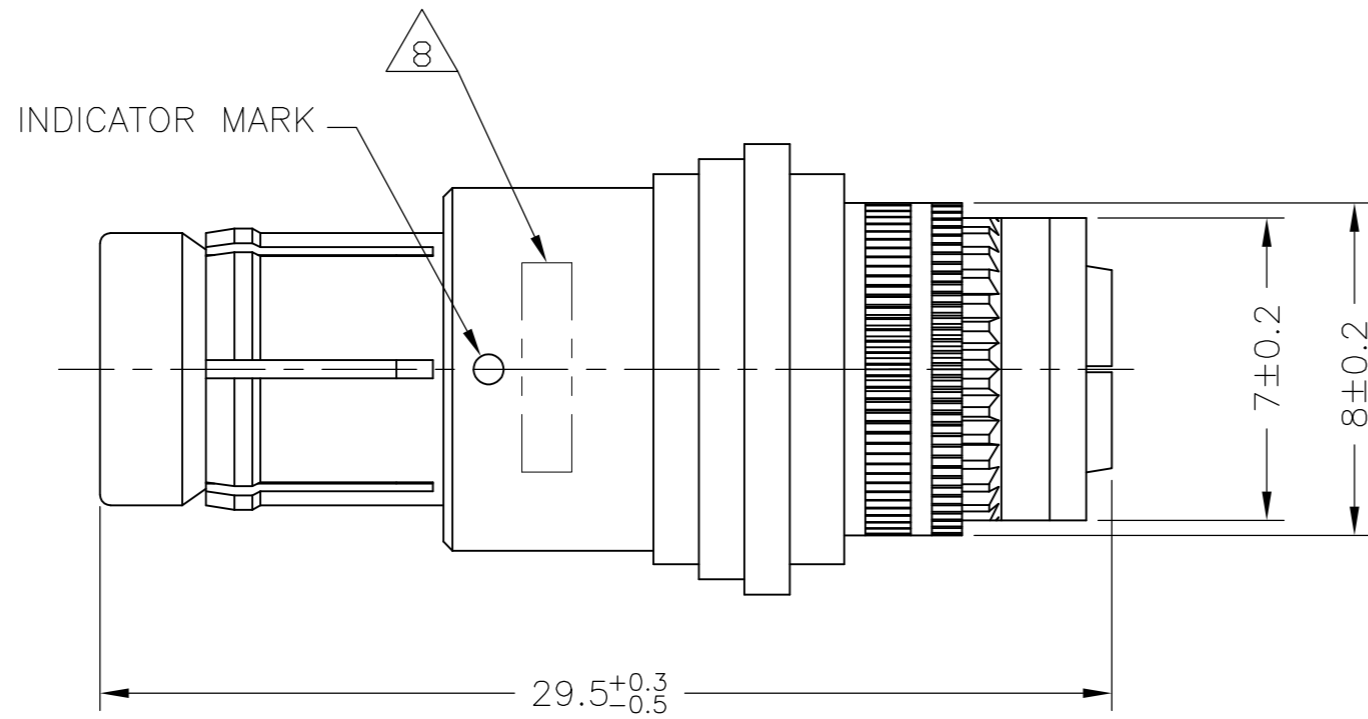
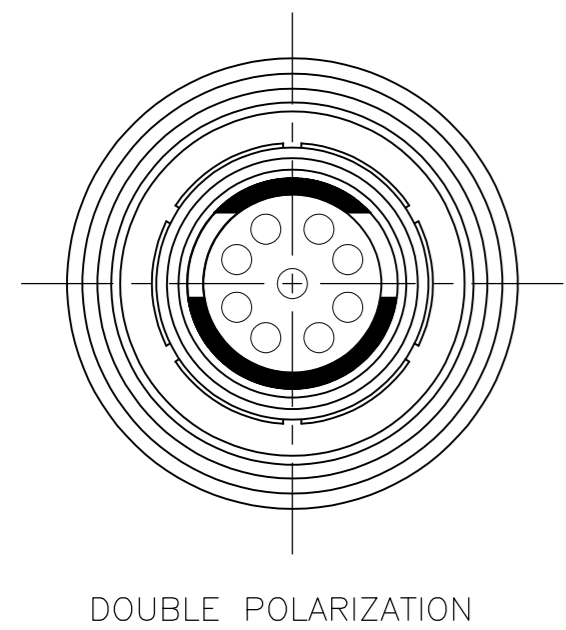
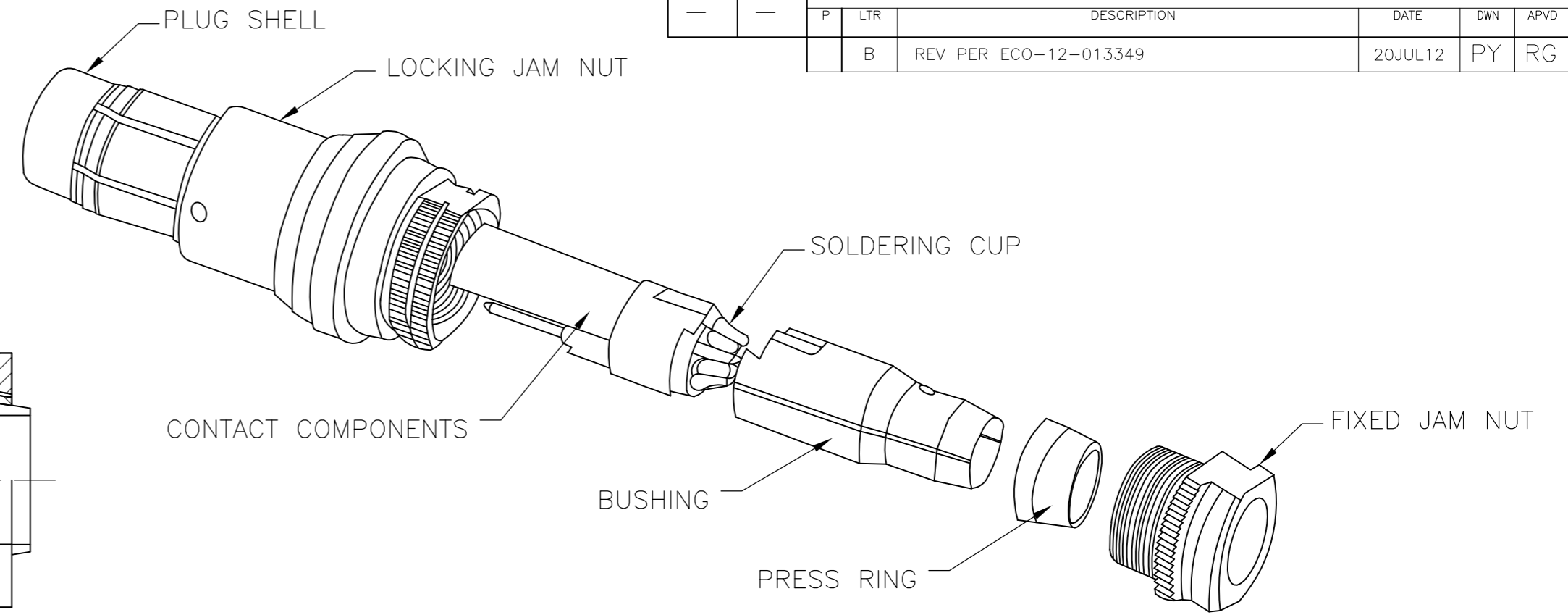
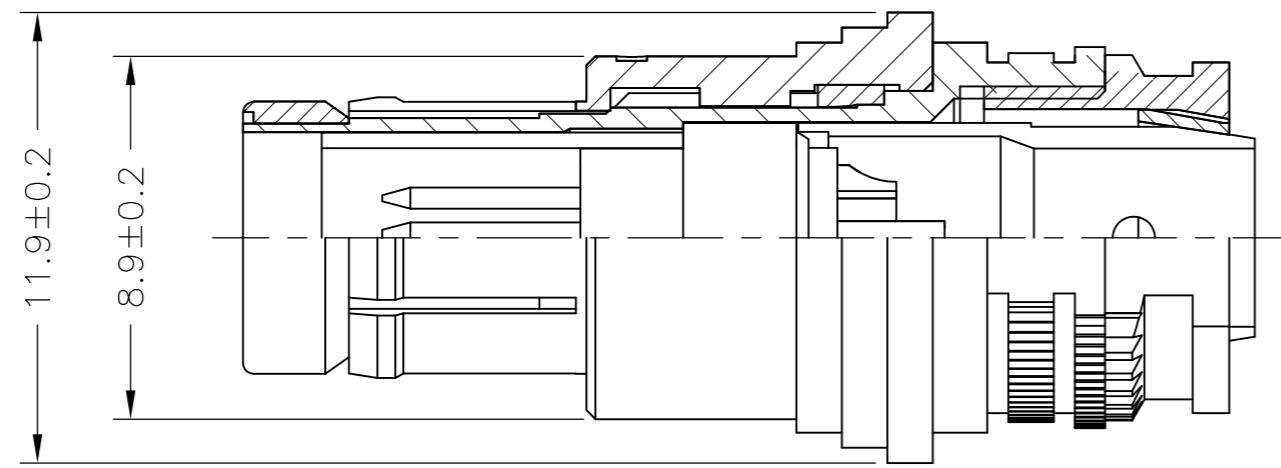
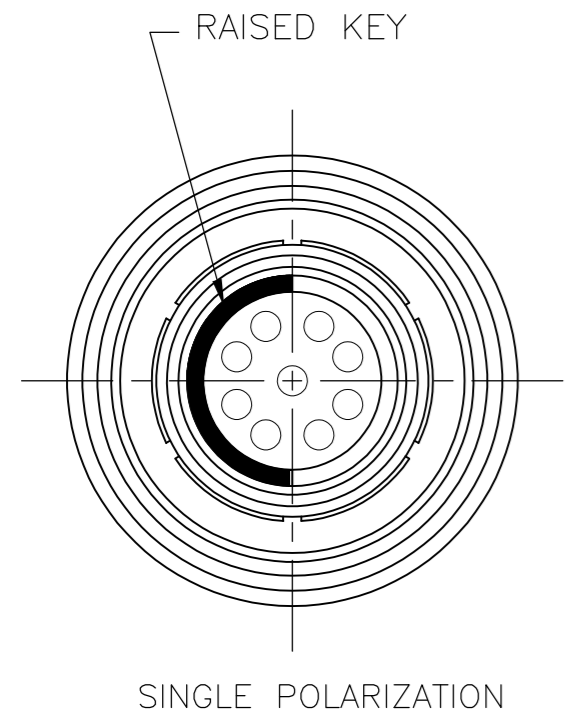


THIS DRAWING IS UNPUBLISHED. RELEASED FOR PUBLICATION
 © COPYRIGHT - By - ALL RIGHTS RESERVED.

LOC		DIST		REVISIONS			
P	LTR	DESCRIPTION		DATE	DWN	APVD	
B		REV PER ECO-12-013349		20JUL12	PY	RG	



CAVITY IDENTIFICATION WHEN VIEWED FROM MATING FACE

- UNLESS OTHERWISE SPECIFIED DIMENSIONS TOLERANCE ARE ±0.20.
- DWV RATING: 875VAC @ SEA LEVEL
- WORKING TEMPERATURE: -55°C ~ +125°C

4 MATERIAL:
 CONTACT : COPPER ALLOY
 SHELL : COPPER ALLOY
 INSULATOR : PEEK

5 FINISH
 CONTACT: GOLD OVER NICKEL
 SHELL : BLACK CHROMIUM

6. WIRE SIZE: 28 AWG MAX.

7. MATING STYLE - PUSH TO MATE; PULL TO UNLOCK

8 PART IS MARKED WITH THE TE PART NUMBER, CHINA, DATE CODE, AND LOT ID.

2	CHROMIUM-BLACK	DOUBLE	SOLDER CUP	1	2157946-2
1	CHROMIUM-BLACK	SINGLE	SOLDER CUP	1	2157946-1
KEYING	FINISH	POLARIZATION	TERMINATION	SHELL SIZE	TE PART NUMBER
THIS DRAWING IS A CONTROLLED DOCUMENT.		DWN C.C THOMAS 06APR2012			
DIMENSIONS: mm		CHK R. GROSS 06APR2012			
TOLERANCES UNLESS OTHERWISE SPECIFIED:		APVD R. GROSS 06APR2012	NAME CIRCULAR HD PLUG WITH PIN, CONTACTS 9 POS.		
0 PLC ± -		PRODUCT SPEC 108-127005	SIZE A2		
1 PLC ± -		APPLICATION SPEC	CAGE CODE 00779		
2 PLC ± 0.2			DRAWING NO C=2157946		
3 PLC ± -			RESTRICTED TO		
4 PLC ± -			SCALE NTS		
ANGLES ± 3°			SHEET 1 of 1		
FINISH		WEIGHT -	REV B		
MATERIAL		CUSTOMER DRAWING			