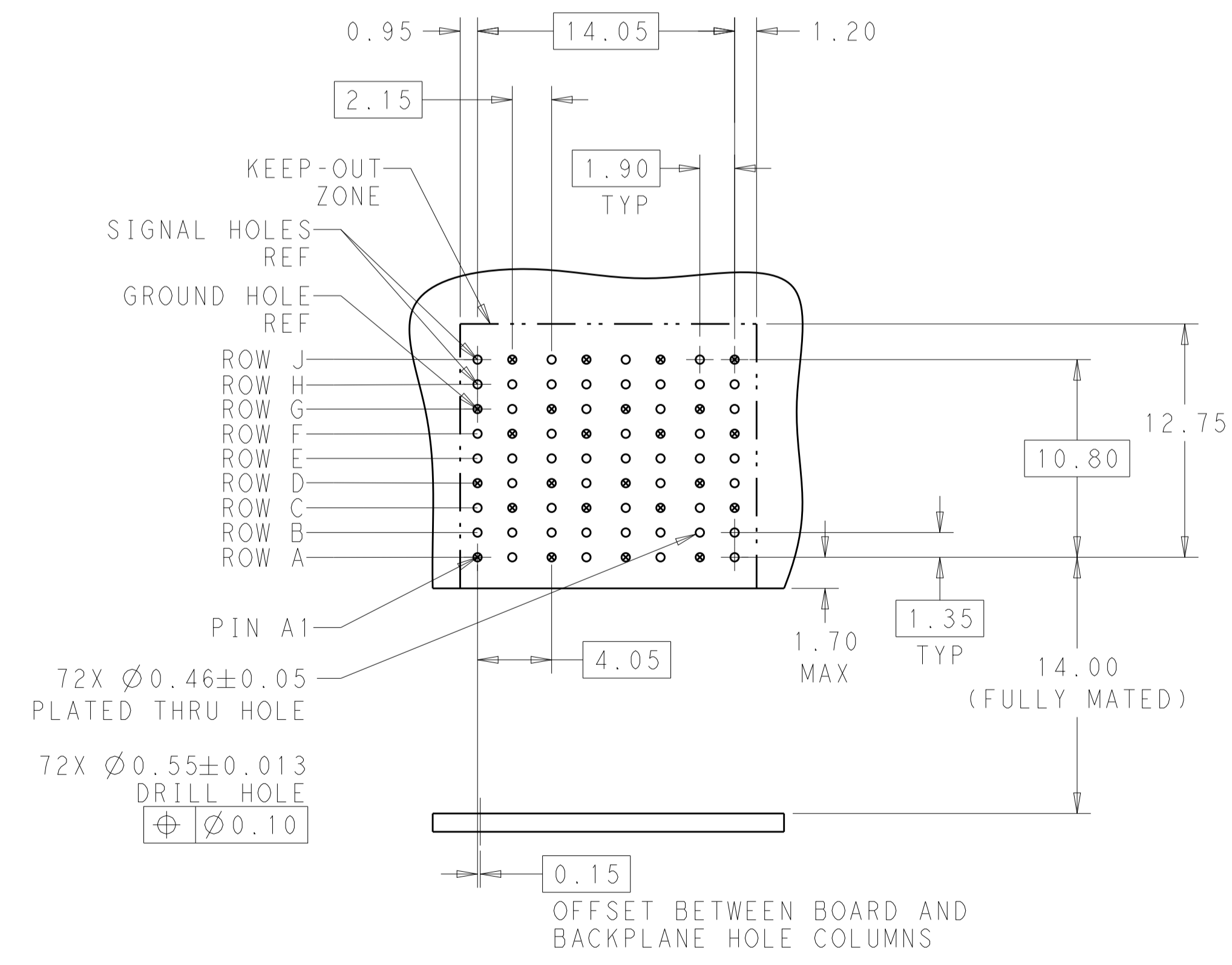
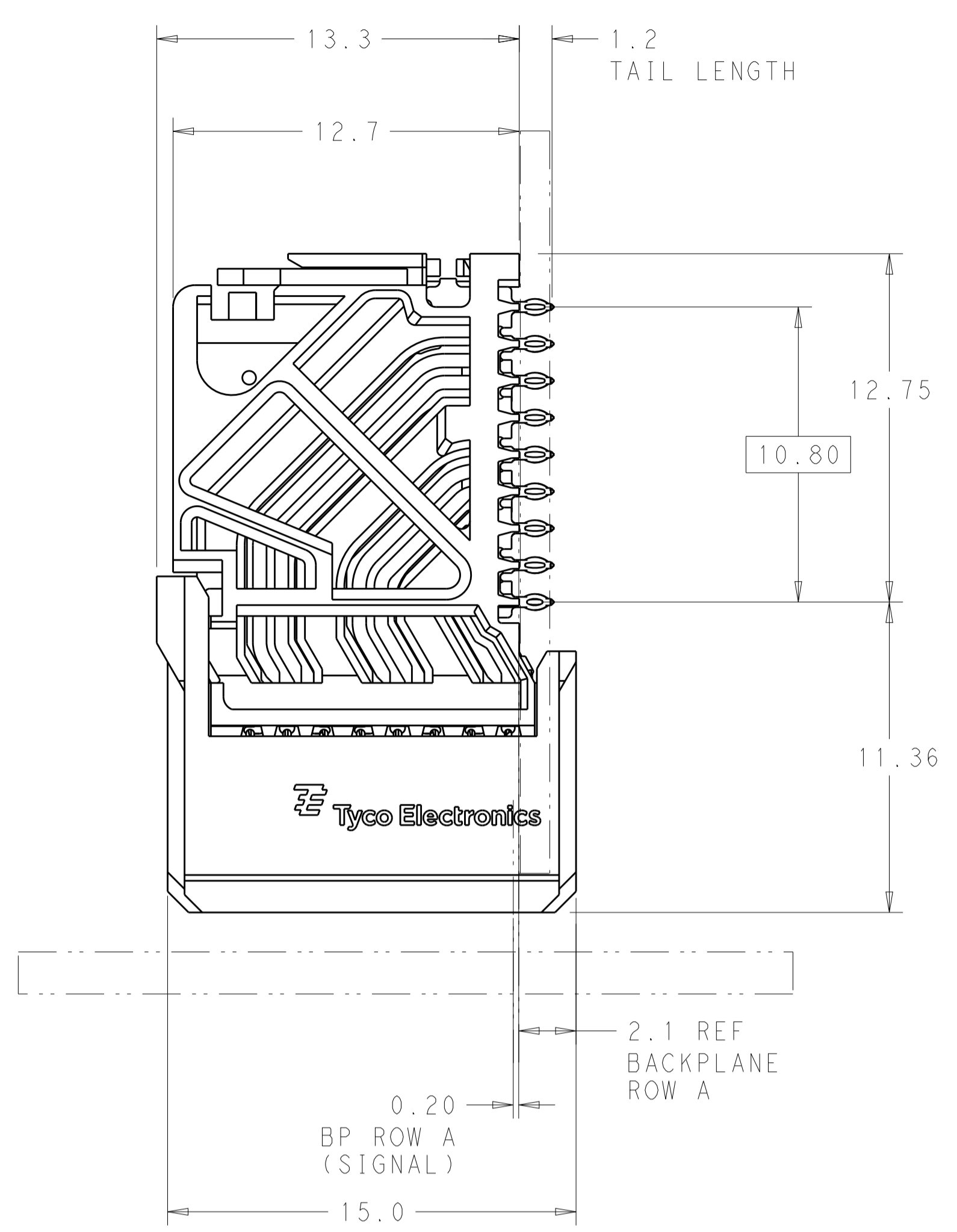
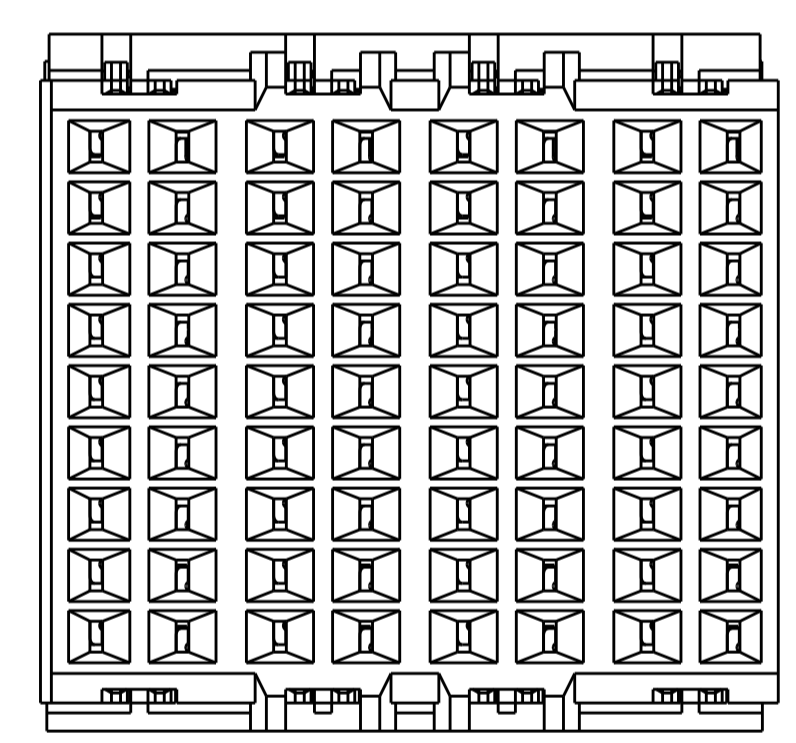
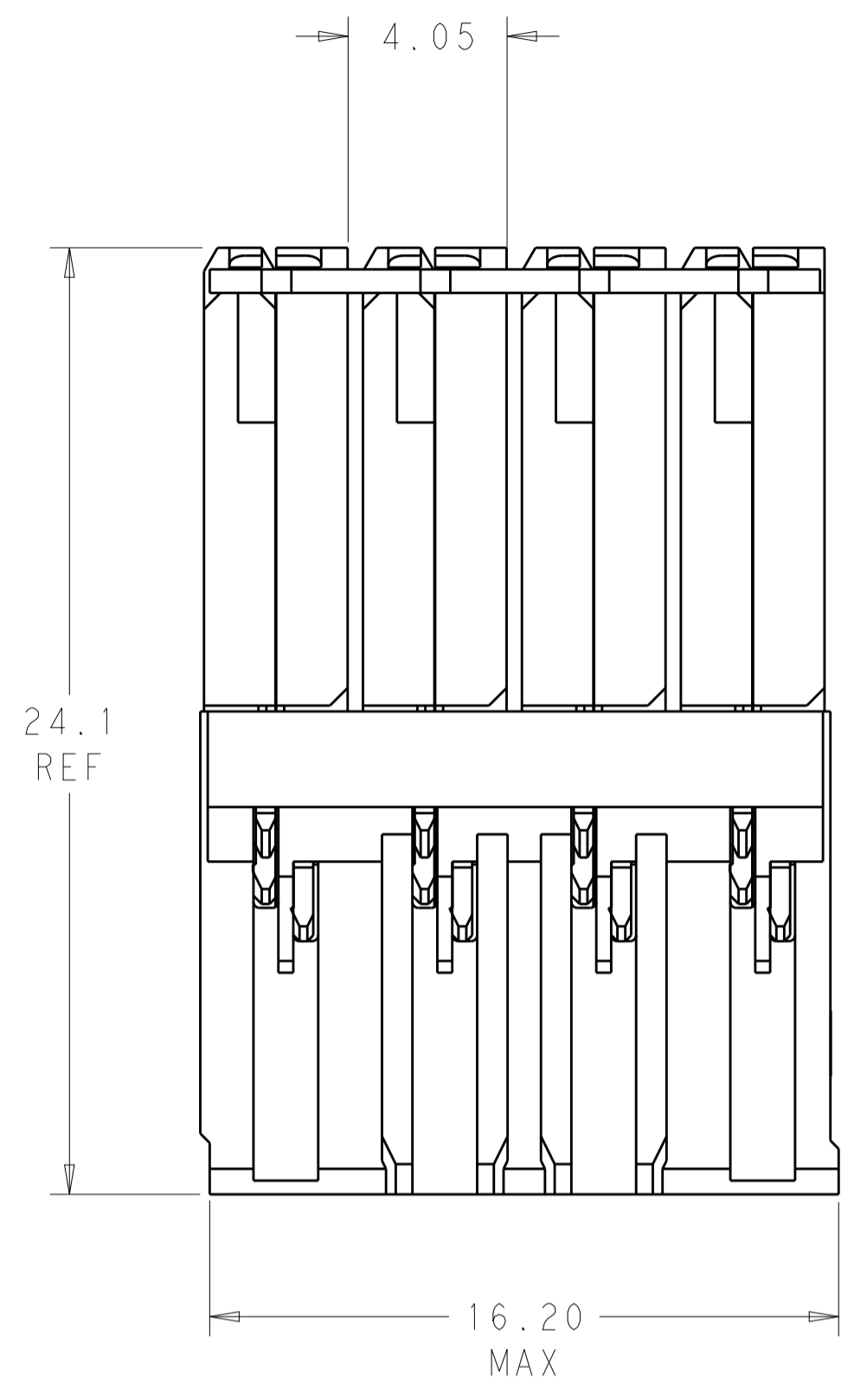
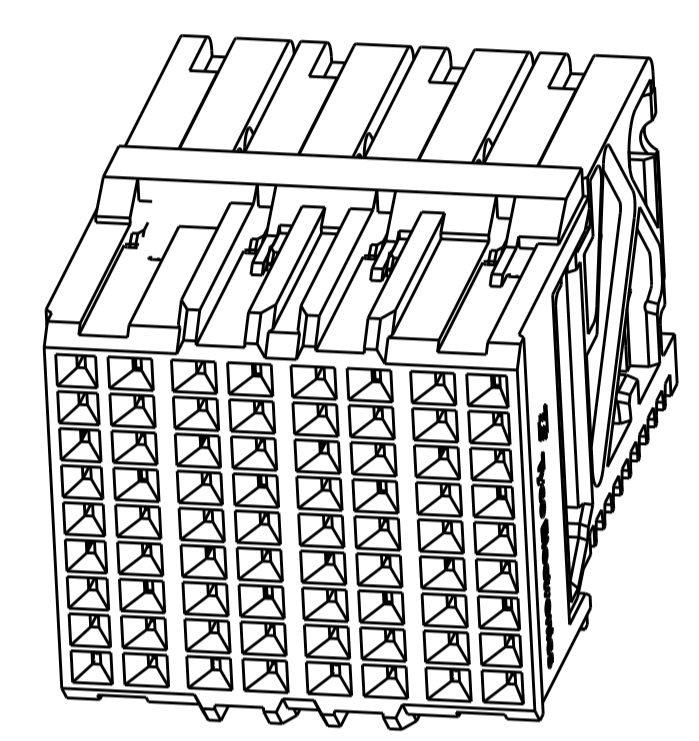


LOC	DIST	REVISIONS					
AD	00	P	LTN	DESCRIPTION	DATE	DWN	APVD
		A		REVISED PER ECO-15-003242	23MAR2015	AP	DD



RECOMMENDED PCB LAYOUT
 MIN BOARD THICKNESS 1.0

- ⚠ MATERIAL:
 HOUSING: LCP, GLASS FILLED, UL94V-0.
 TERMINALS: HIGH PERFORMANCE COPPER ALLOY.
- ⚠ FINISH:
 30µ" SELECTIVE GOLD IN CONTACT AREA. SELECTIVE TIN
 ON PCB TAILS, NICKEL OVERALL.
- ⚠ FINISH:
 30µ" SELECTIVE GOLD IN CONTACT AREA. SELECTIVE TIN-LEAD
 ON PCB TAILS, NICKEL OVERALL.



SCALE 4:1

REFER TO WWW.TE.COM
 FOR PRODUCT AVAILABILITY

NONE	⚠	2132445-5
NONE	⚠	2132445-1
KEY POSITION	FINISH	PART NUMBER

THIS DRAWING IS A CONTROLLED DOCUMENT.		DWN J.K.SHOBER 25JAN2011	
DIMENSIONS: mm		CHK D. DIXON 25JAN2011	
TOLERANCES UNLESS OTHERWISE SPECIFIED:		APVD D. DIXON 25JAN2011	NAME: IMPACT, ORTHOGONAL, 3 PAIR, DAUGHTERCARD PRODUCT SPEC: 8 COLUMN, NO GUIDE, SIGNAL APPLICATION SPEC: MODULE, 0.46 EYELET
0 PLC ± 1 PLC ±0.25 2 PLC ±0.15 3 PLC ± 4 PLC ± ANGLES ±		SIZE: A1 CAGE CODE: 00779 DRAWING NO: 2132445	
MATERIAL: SEE TABLE		WEIGHT: -	RESTRICTED TO: -
Customer Drawing		SCALE: 6:1	SHEET 1 OF 1 REV A