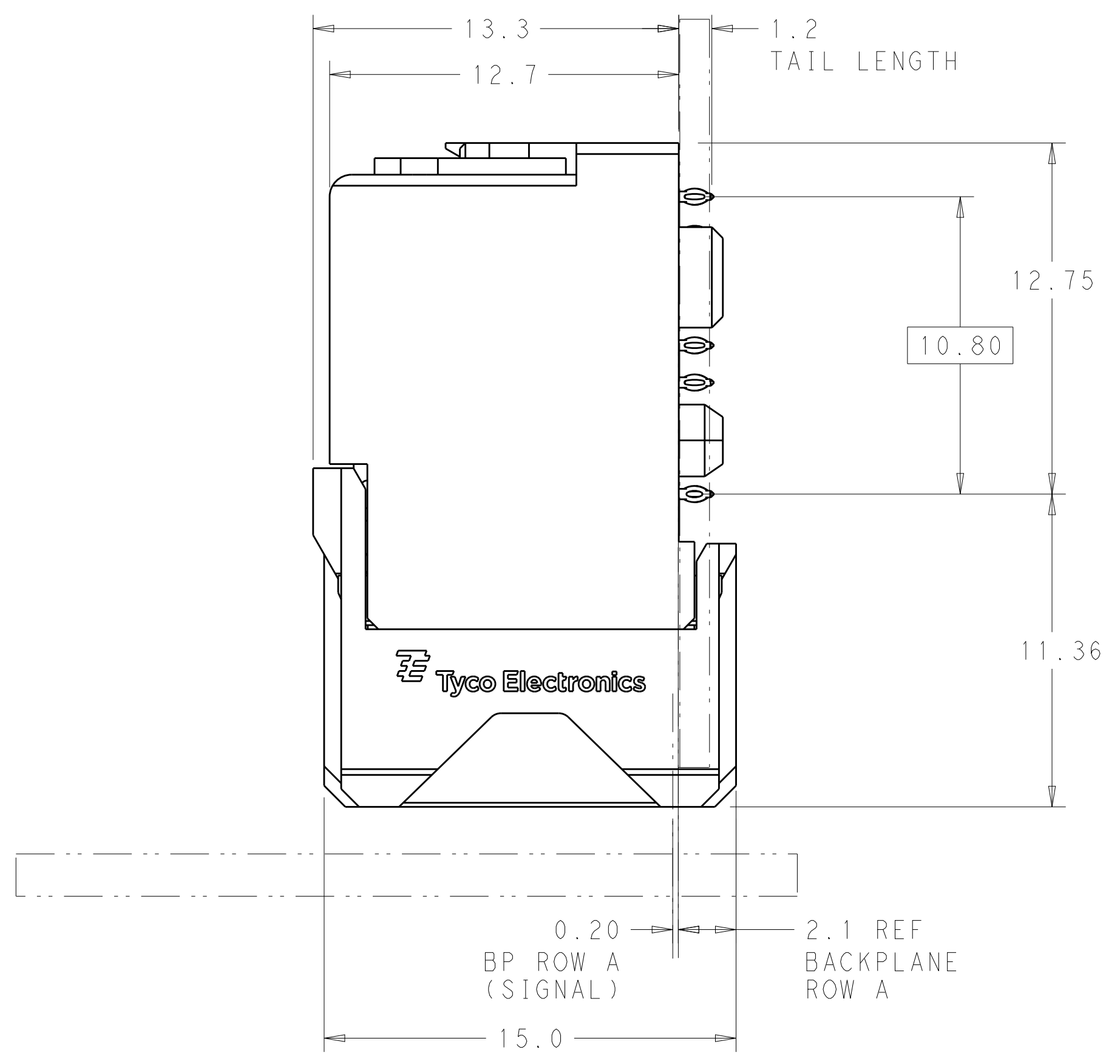
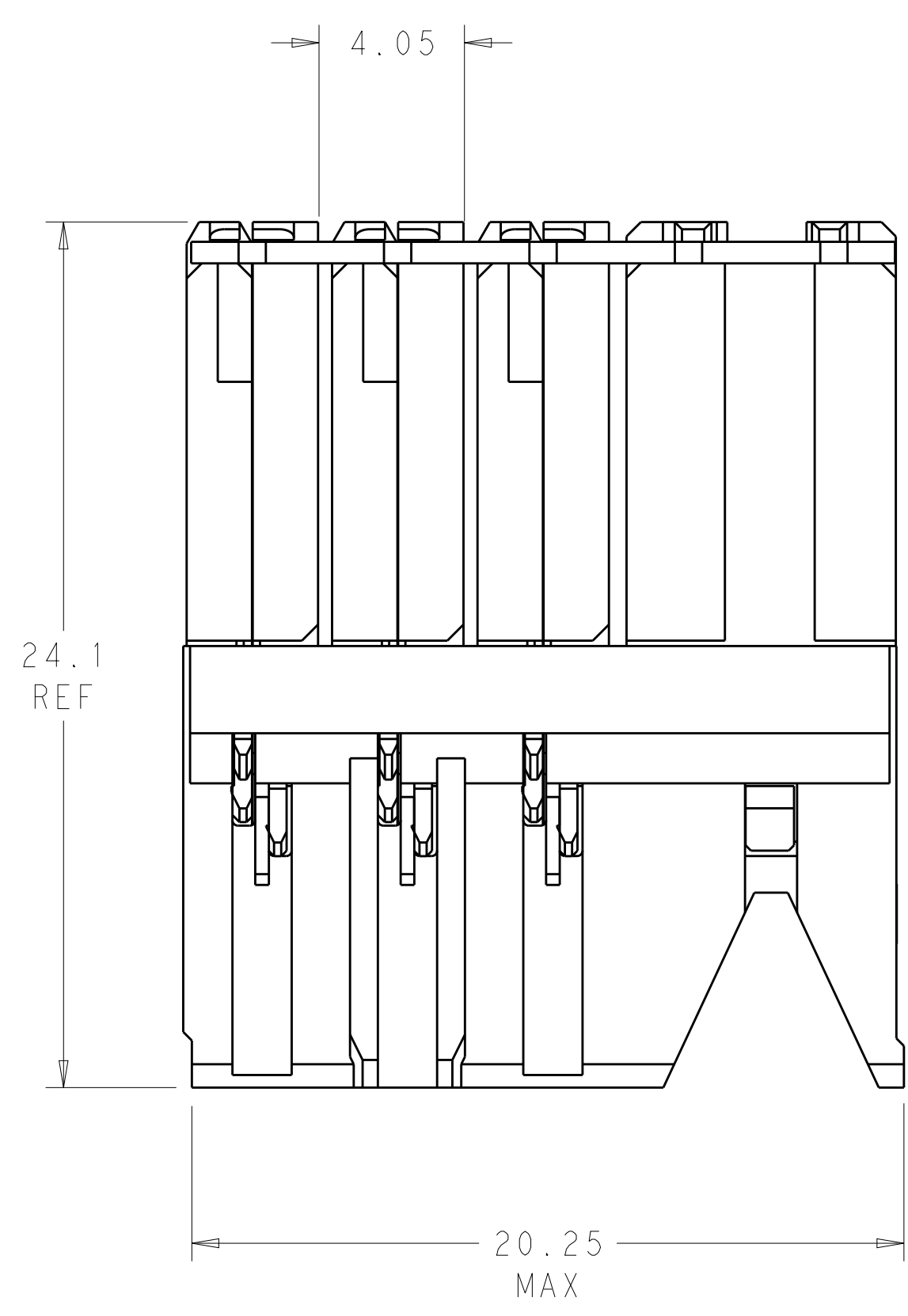
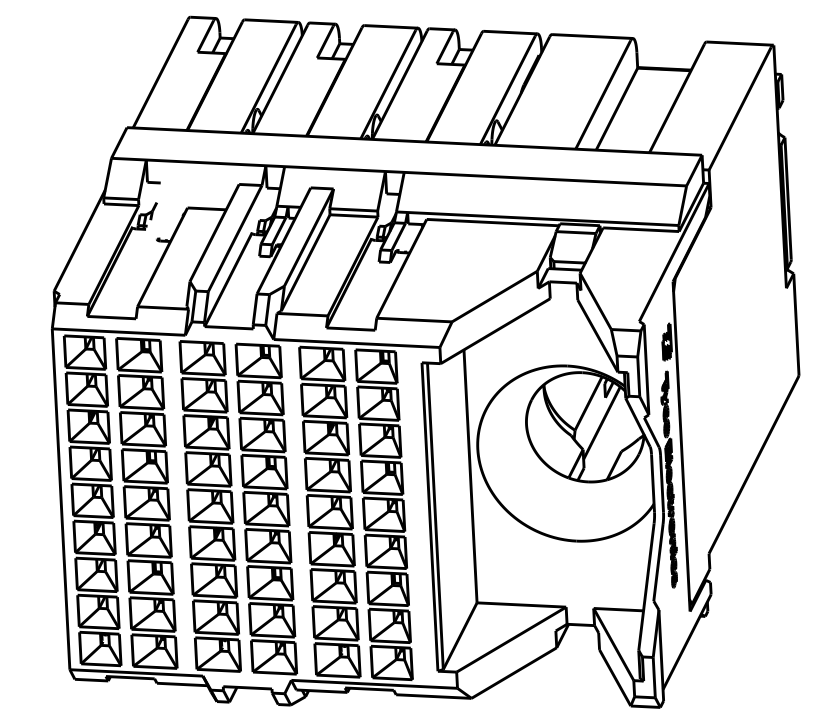


LOC	DIST	REVISIONS			
P	LTN	DESCRIPTION	DATE	DWN	APVD
A		REVISED PER ECO-15-003242	23MAR2015	AP	DD

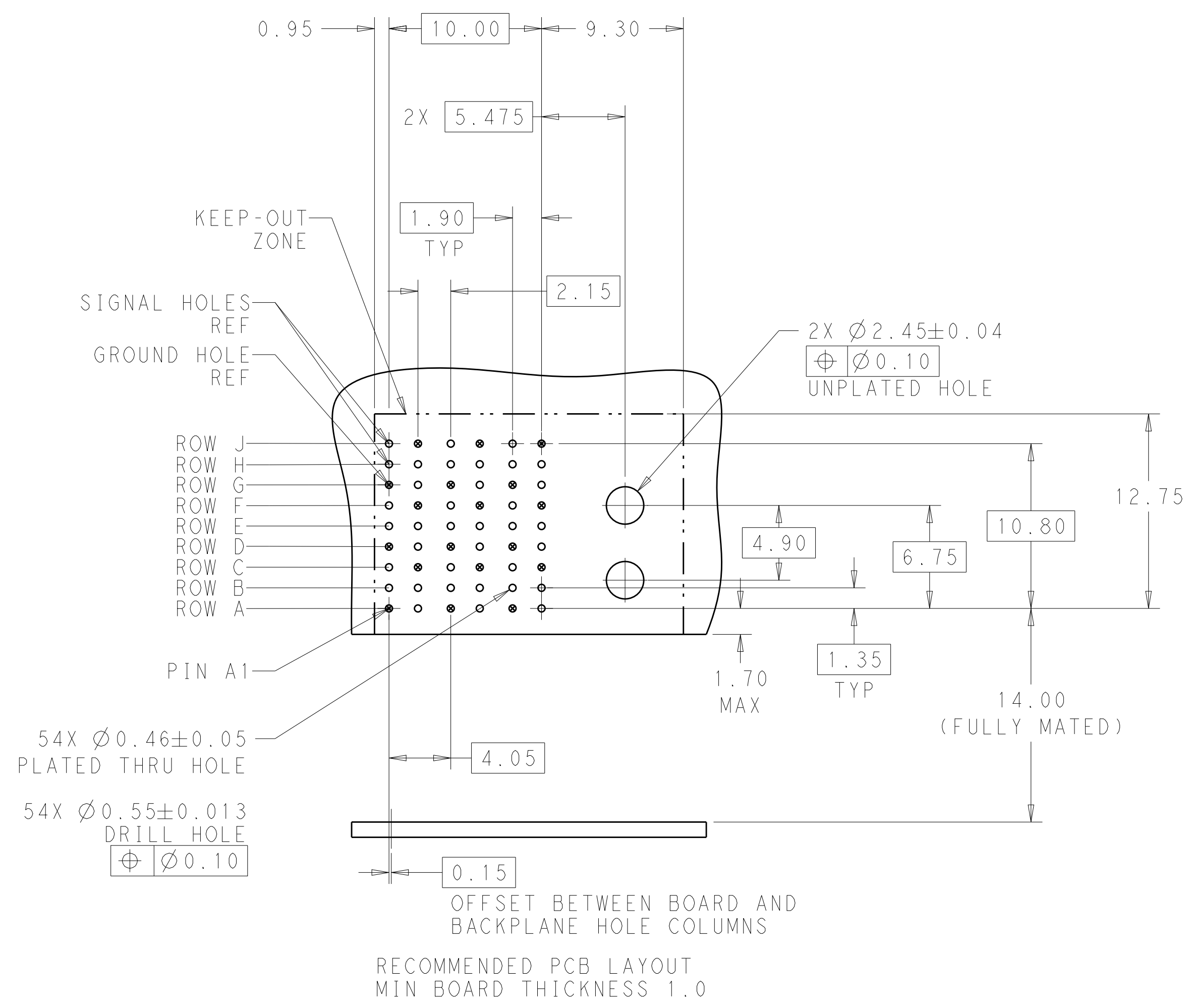
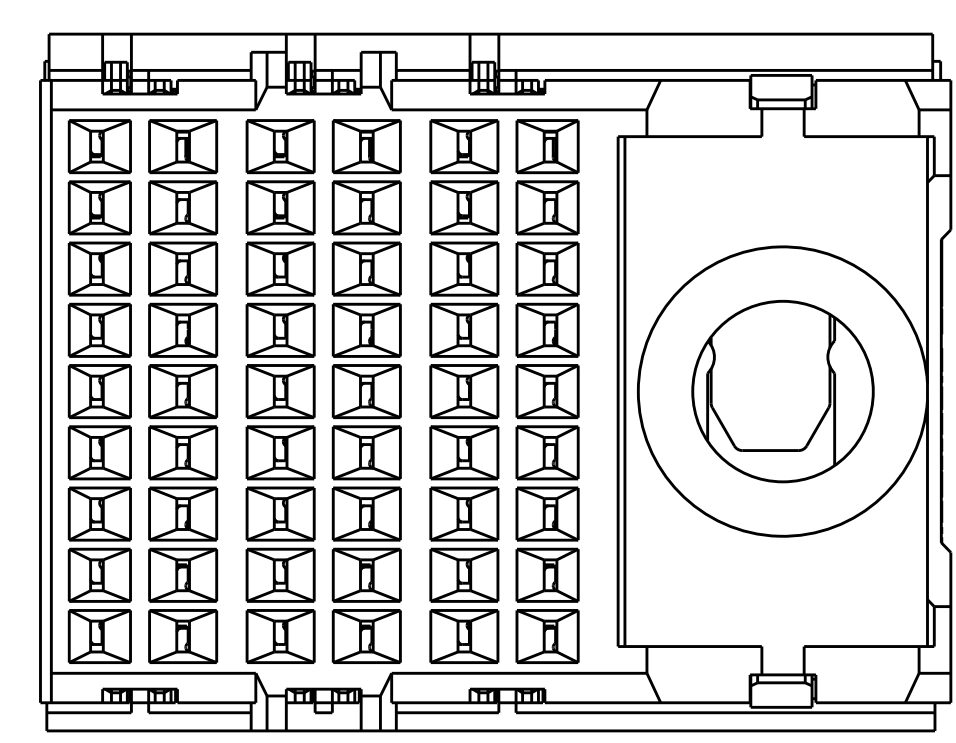


- ⚠ MATERIAL:
HOUSING: LCP, GLASS FILLED, UL94V-0.
TERMINALS: HIGH PERFORMANCE COPPER ALLOY.
- ⚠ FINISH:
30μ" SELECTIVE GOLD IN CONTACT AREA. SELECTIVE TIN ON PCB TAILS, NICKEL OVERALL.
- ⚠ FINISH:
30μ" SELECTIVE GOLD IN CONTACT AREA. SELECTIVE TIN-LEAD ON PCB TAILS, NICKEL OVERALL.
- 4. CONNECTORS SUPPLIED WITH MOUNTING SCREWS.



SCALE 4:1

REFER TO WWW.TE.COM FOR PRODUCT AVAILABILITY



NONE	⚠	2132441-5
NONE	⚠	2132441-1
KEY POSITION	FINISH	PART NUMBER

THIS DRAWING IS A CONTROLLED DOCUMENT.		DWN J.K. SHOBER 25JAN2011	
DIMENSIONS: mm		CHK D. DIXON 25JAN2011	
TOLERANCES UNLESS OTHERWISE SPECIFIED:		APVD D. DIXON 25JAN2011	NAME: MFACT, ORTHOGONAL, 3 PAIR, DAUGHTERCARD PRODUCT SPEC: 6 COLUMN, RIGHT GUIDED, SIGNAL MODULE, 0.46 EYELET APPLICATION SPEC:
0 PLC ± 1 PLC ±0.25 2 PLC ±0.15 3 PLC ± 4 PLC ± ANGLES ±		SIZE: CAGE CODE: DRAWING NO: WEIGHT: A100779C=2132441 RESTRICTED TO:	
MATERIAL: SEE TABLE		Customer Drawing	SCALE 6:1 SHEET 1 OF 1 REV A