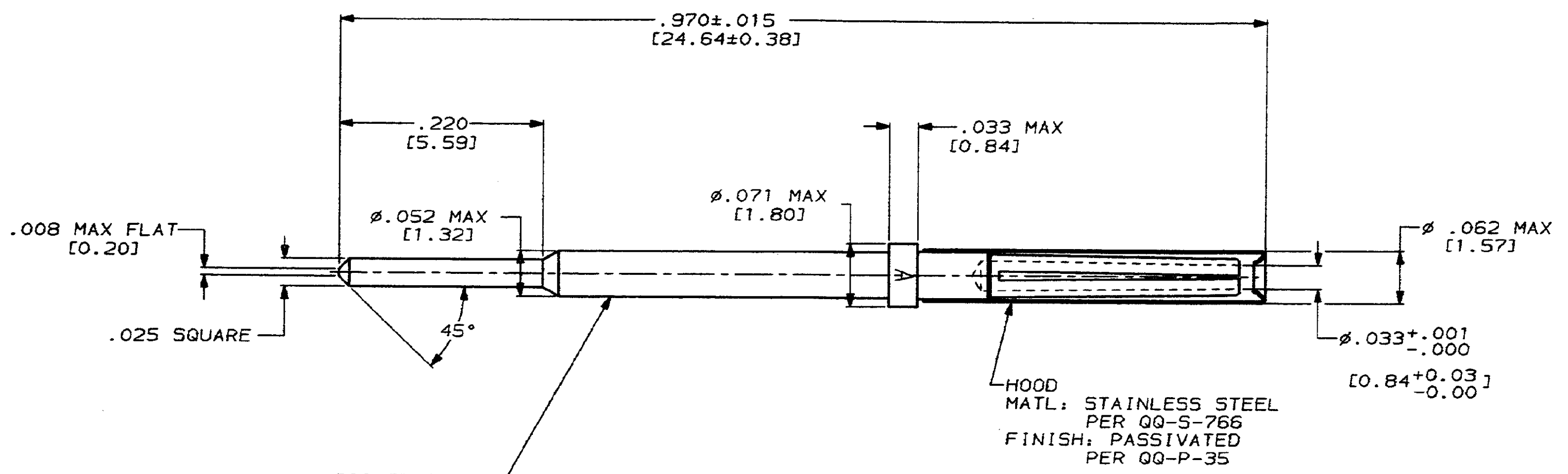


DRAWING MADE IN THIRD ANGLE PROJECTION

THIS DRAWING IS UNPUBLISHED. RELEASED FOR PUBLICATION .19  
 © COPYRIGHT 19 BY AMP INCORPORATED. ALL INTERNATIONAL RIGHTS RESERVED.

PROD CODE	LOC	DIST	ZONE	LTR	REVISIONS	DATE	APPO
4971	DF	AO			REV 8 REDRAWN PER DF-4578	CT 7-91	AS



SOCKET BODY  
 MAT'L: LEADED COPPER PER QQ-B-626  
 FINISH: PLATED GOLD .000050 MIN THK PER MIL-G-45204 OVER NICKEL .000050 MIN THK PER QQ-N-290

HOOD  
 MATL: STAINLESS STEEL  
 PER QQ-S-766  
 FINISH: PASSIVATED  
 PER QQ-P-35

211948-1  
 PART NO.

DO NOT SCALE PRINT. UNLESS SPECIFIED DIMENSIONS IN INCHES [mm] TOLERANCES ON: 2 PLC DEC ± - 3 PLC DEC ± .005 [0.13] ANGLES ± 0°30'	DR 5-14-91 C.C. THOMAS	<b>AMP</b> AMP Incorporated Harrisburg, PA 17105-3608	
	CHK 7-23-91 A. SHARPE		
MATERIAL SEE CALLOUTS	APPD 7-23-91 A. SHARPE	NAME ASSY, SOCKET CONTACT, SIZE 22 ARINC 404 (SQ. POST)	
	APPD 7-23-91 C. THOMAS	PRODUCT SPEC -	
FINISH SEE CALLOUTS	APPLICATION SPEC -	SIZE C	CAGE CODE 00779
	WEIGHT -	SCALE 10:1	DRAWING NO 211948
		SHEET 1 OF 1	

CUSTOMER DRAWING