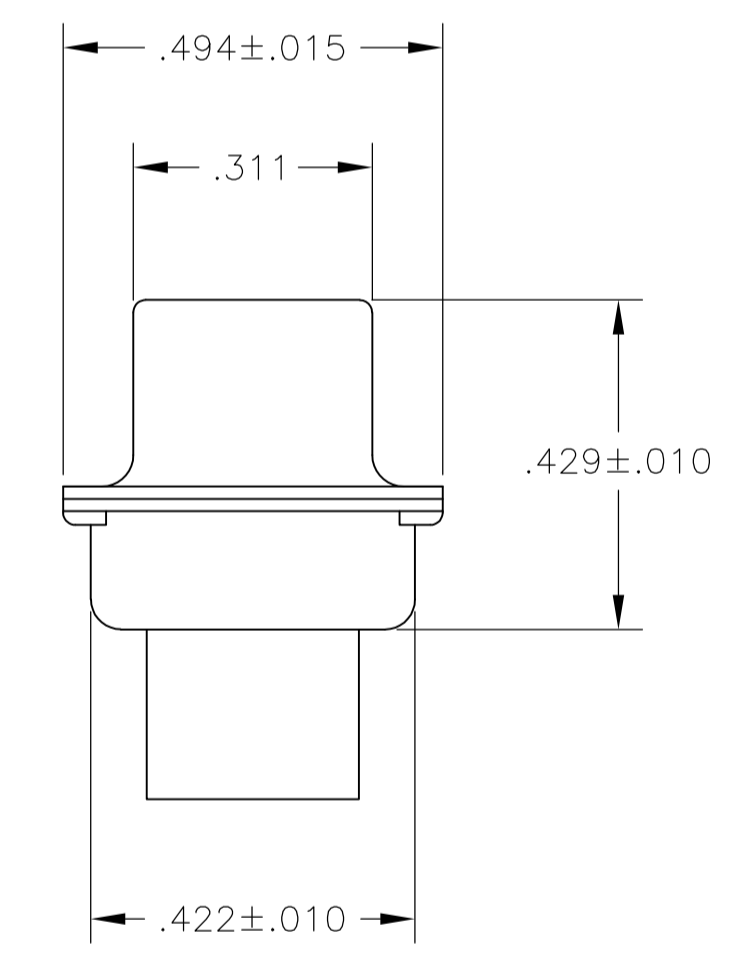
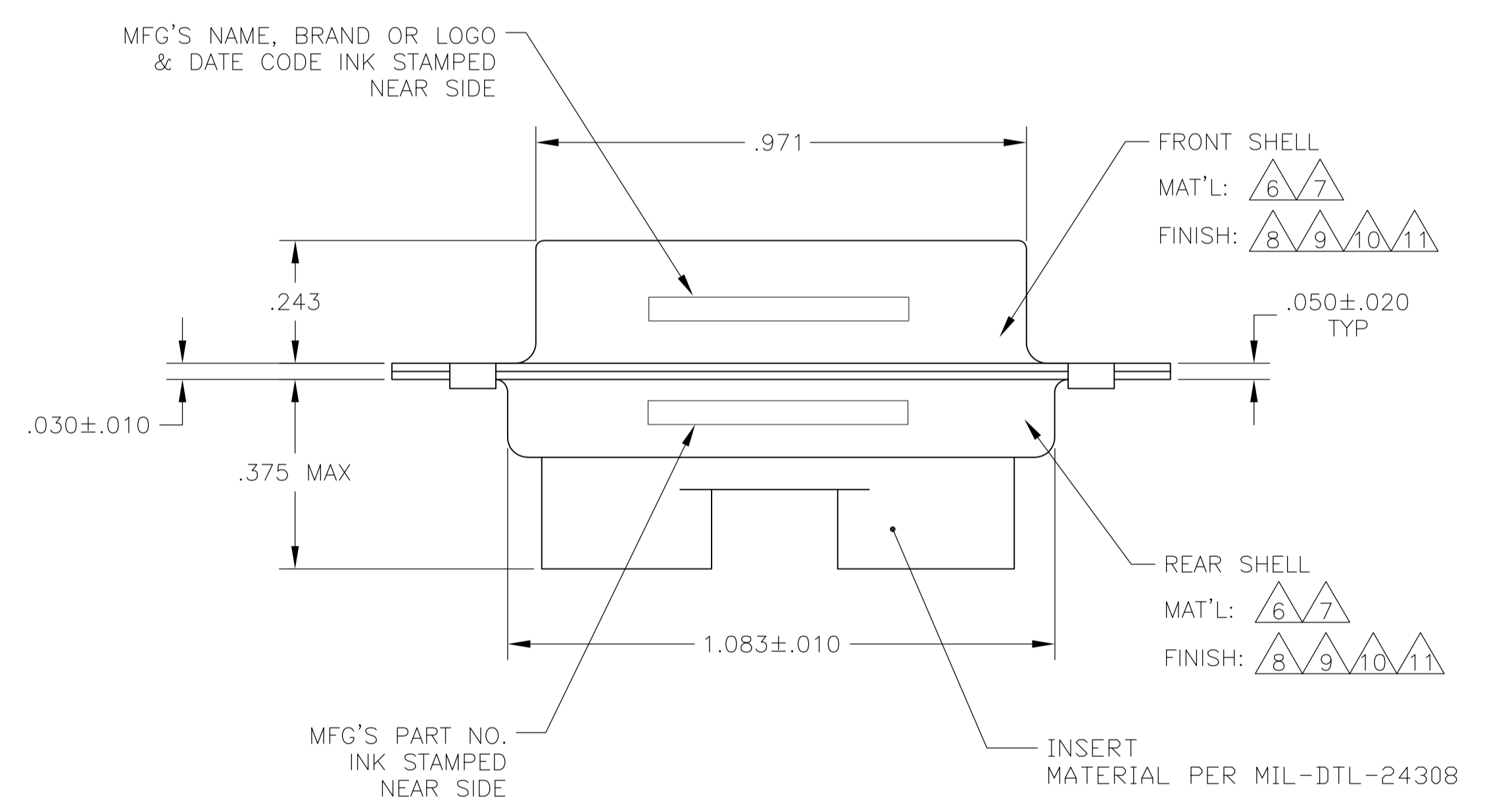
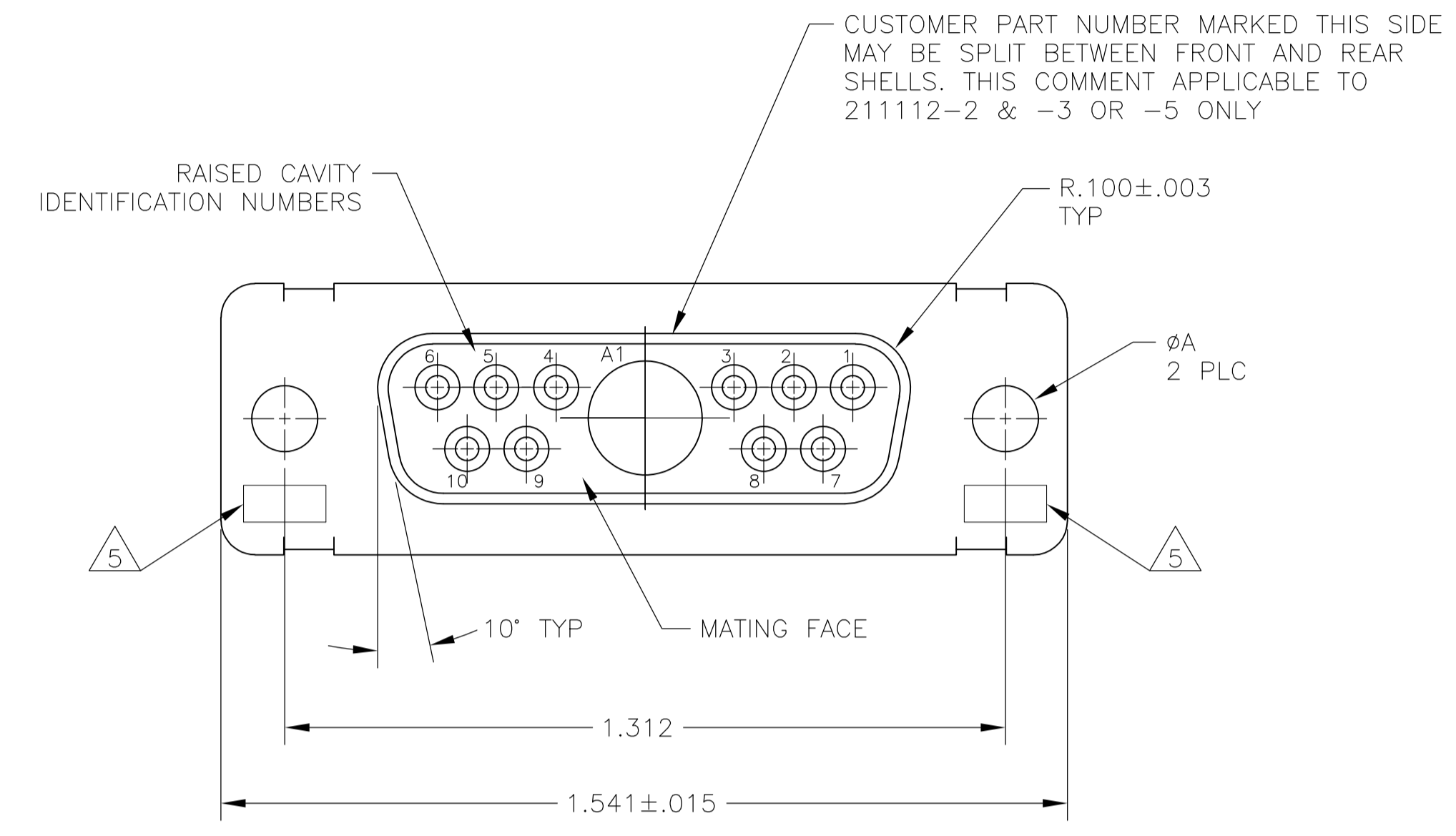


LOC		DIST		REVISIONS			
P	LTR	DESCRIPTION	DATE	DWN	APVD		
U		REV PER ECO-15-016251	13NOV15	KG	CD		



- THIS RECEPTACLE WILL MATE WITH ANY 11C1, SIZE 2 PLUG IN AMPLIMITE SERIES.
 - MAXIMUM WIRE INSULATION TO BE USED WITH THIS RECEPTACLE IS ϕ .068.
 - THIS CONNECTOR ACCEPTS (1) POWER 8, OR COAX SOCKET CONTACT IN POSITION A1, PURCHASED SEPARATELY.
 - THIS CONNECTOR ACCEPTS SIZE 20 SOCKET CONTACTS IN POSITIONS 1 THRU 10, PURCHASED SEPARATELY.
- 5 UL/CSA DESIGNATION STAMPED IN THIS AREA, OPTIONAL.
 - 6 STEEL PER ASTM-A-109.
 - 7 BRASS PER MIL-C-50 AND ASTM-B-36 UNS NO. C26000.
 - 8 CADMIUM PLATED PER QQ-P-416.
 - 9 GOLD PLATED PER MIL-G-45204 TYPE II, GRADE C, CLASS 1 OVER COPPER PER MIL-C-14550, CLASS IV.
 - 10 FINISH: TIN PER ASTM-B-545 .000400 MIN THK OVER COPPER PER AMS2418 .000050 MIN THK.
 - 11 FINISH: ZINC PLATE PER ASTM-B-633 .000200-.000400 THK WITH SUPPLEMENTARY CHROMATE (Cr3+).

6 10	.120	-	5-211112-4
6 11	.120	-	5-211112-1
6 10	.120	-	211112-6
7 9	.120	B010942-0038	211112-5
6 10	.120	-	211112-4
7 9	.154	311P405-9S-B-15	211112-3
7 9	.120	311P405-9S-B-12	211112-2
6 8	.120	-	211112-1
REMARKS	ØA	GSFC P/N	PART NO.

THIS DRAWING IS A CONTROLLED DOCUMENT.

DIN T. SHUEY 01NOV88
 CHK A. EMADI 21JAN88
 APVD A. EMADI 21JAN88

TE Connectivity

RECEPTACLE ASSEMBLY
 AMPLIMITE 11C1
 SERIES 109, SIZE 2, COAX MIX

SIZE: A1 00779 C=211112
 WEIGHT: -
 CUSTOMER DRAWING

SCALE: 4:1 SHEET 1 OF 1 REV U