

4

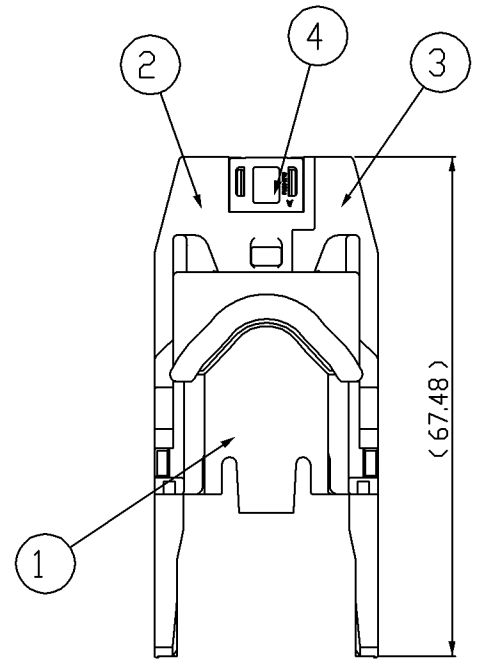
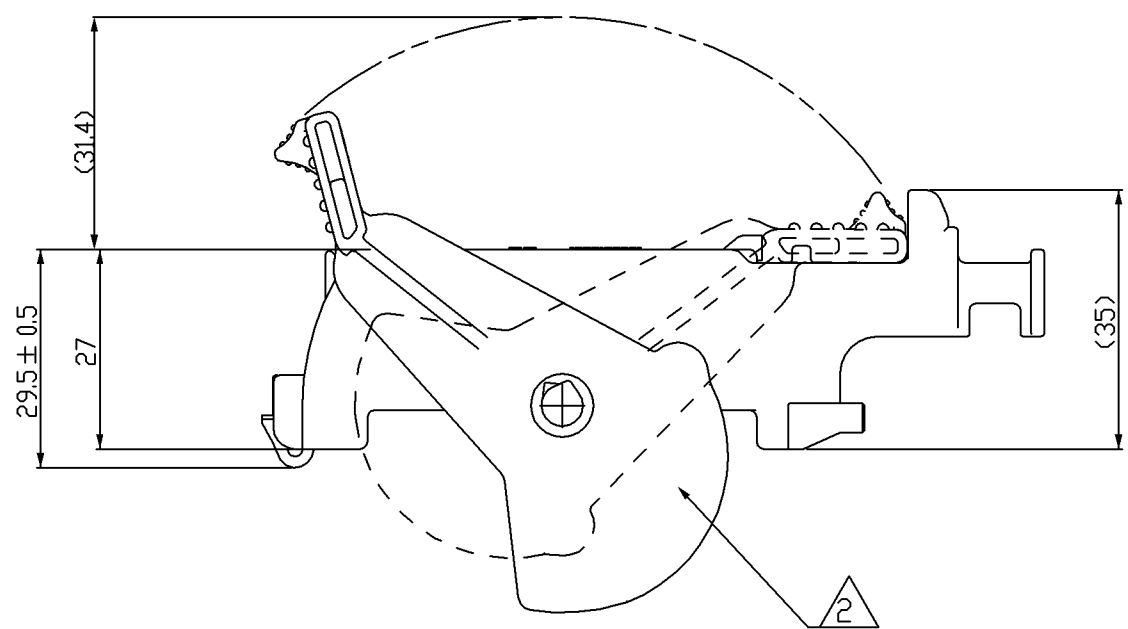
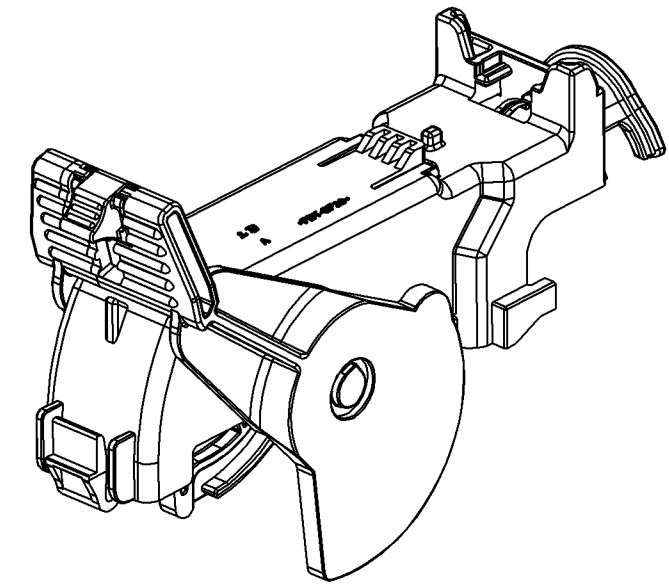
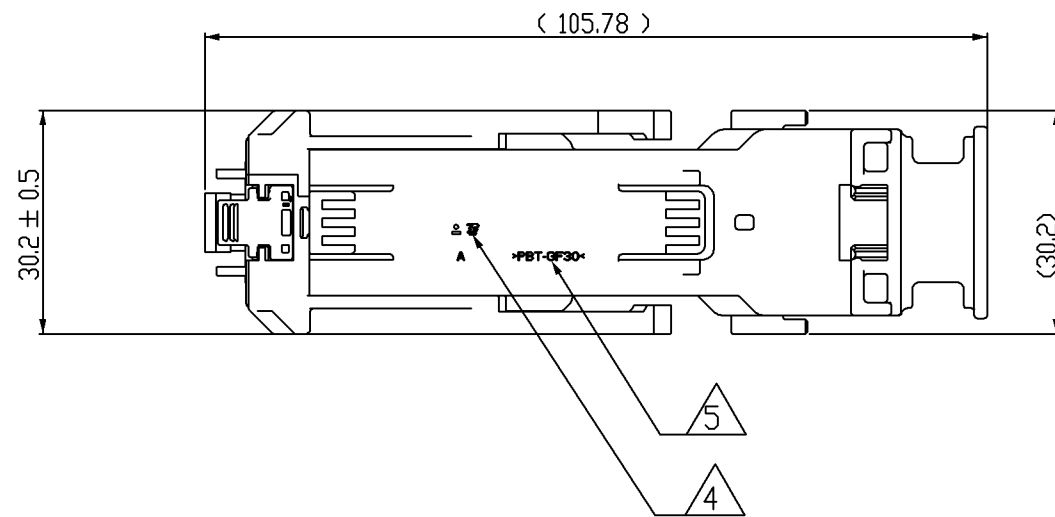
3

2

1

THIS DRAWING IS UNPUBLISHED. RELEASED FOR PUBLICATION
© COPYRIGHT 19 BY TYCO ELECTRONICS CORPORATION. ALL INTERNATIONAL RIGHTS RESERVED.

LOC	DIST	REVISIONS			
P	LTR	DESCRIPTION	DATE	DWN	APVD
DS	-	RELEASED	15/DEC/10	YM	HG
	A				



NOTE
 1. GENERAL TOLERANCE: ±0.3, ±3°
 2. DELIVERY CONDITION
 3. APPLICABLE CONNECTOR P/N: X-2005238-X
 4. TE LOGO
 5. MATERIAL MARK

GM P/N	13581435
ASSY P/N	2109011-1

NO.	FINISH/COLOR	MATERIAL	DESCRIPTION	QTY
4	RED	PA66-GF15	CPA	1
3	BLACK	PBT GF30	LEVER HSG (RH)	1
2	BLACK	PBT GF30	LEVER HSG (LH)	1
1	BLACK	PBT GF30	COVER HSG	1

THIS DRAWING IS A CONTROLLED DOCUMENT FOR TYCO ELECTRONICS CORPORATION IT IS SUBJECT TO CHANGE AND THE CONTROLLING ENGINEERING ORGANIZATION SHOULD BE CONTACTED FOR THE LATEST REVISION.		DWN YM LEE CHK JW JUNG APVD HG CHO PRODUCT SPEC - APPLICATION SPEC - WEIGHT -		Tyco Electronics Kyungsan, Korea NAME HYB 38P ISL COVER ASSY (CPA TYPE)	
DIMENSIONS: mm 	TOLERANCES UNLESS OTHERWISE SPECIFIED: 0 PLC ±- 1 PLC ±0.5 2 PLC ±0.13 3 PLC ±0.013 4 PLC ±0.0001 ANGLES ± FINISH -	SIZE A3 CAGE CODE 00779 DRAWING NO C-2109011	RESTRICTED TO -	SCALE 1:1 SHEET 1 OF 1 REV A	CUSTOMER DRAWING