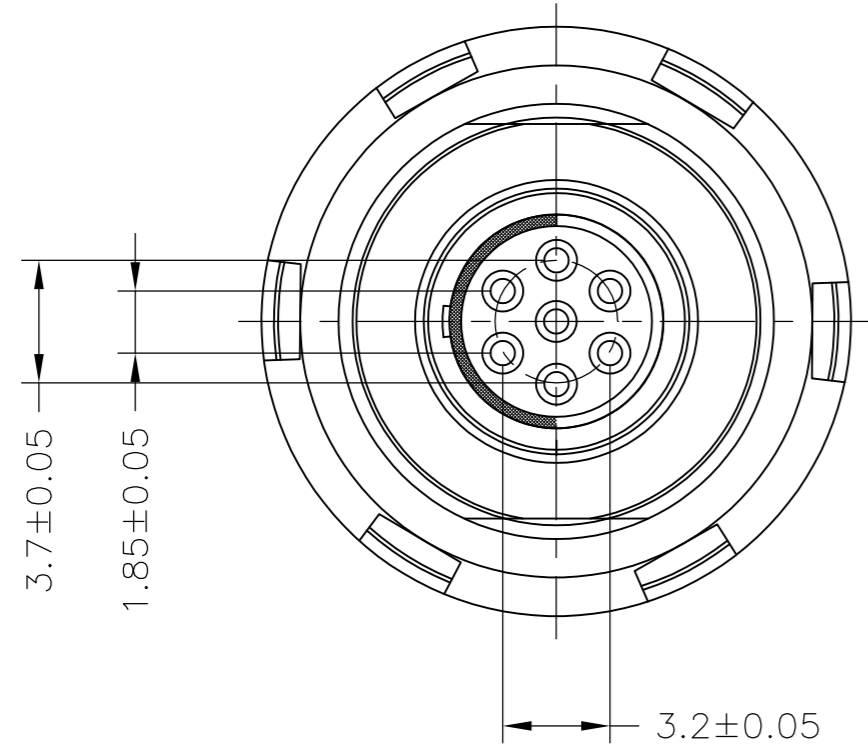
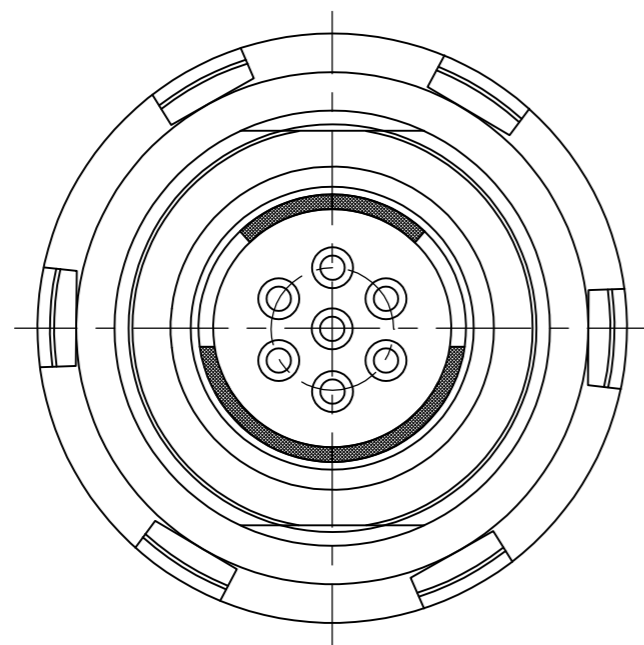


THIS DRAWING IS UNPUBLISHED. RELEASED FOR PUBLICATION
 © COPYRIGHT - By - ALL RIGHTS RESERVED.

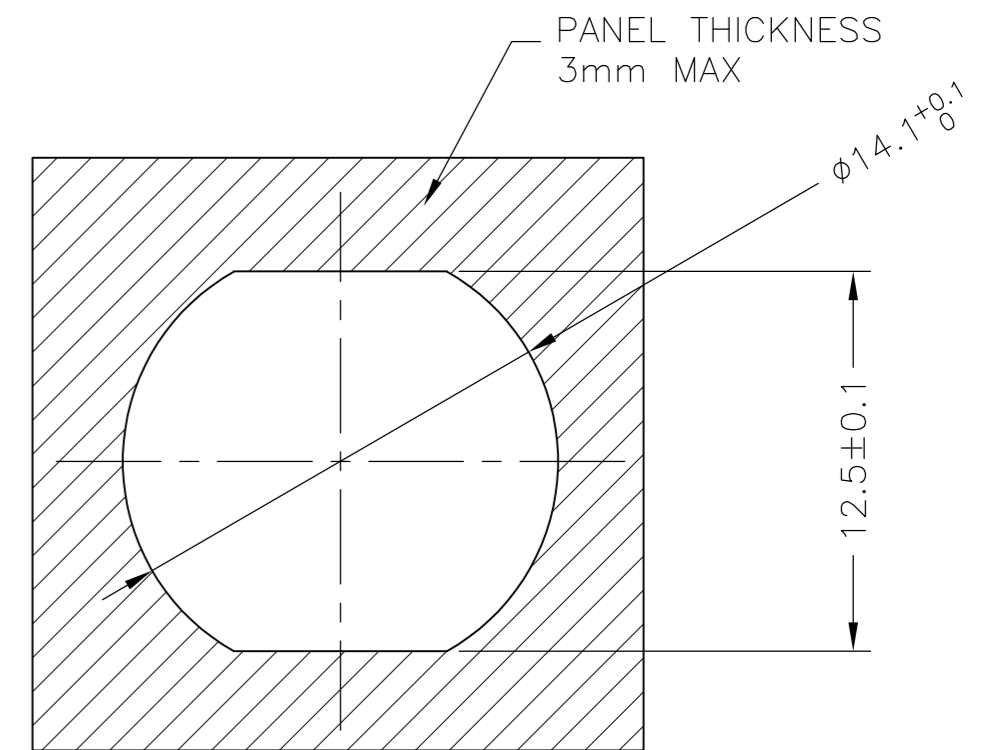
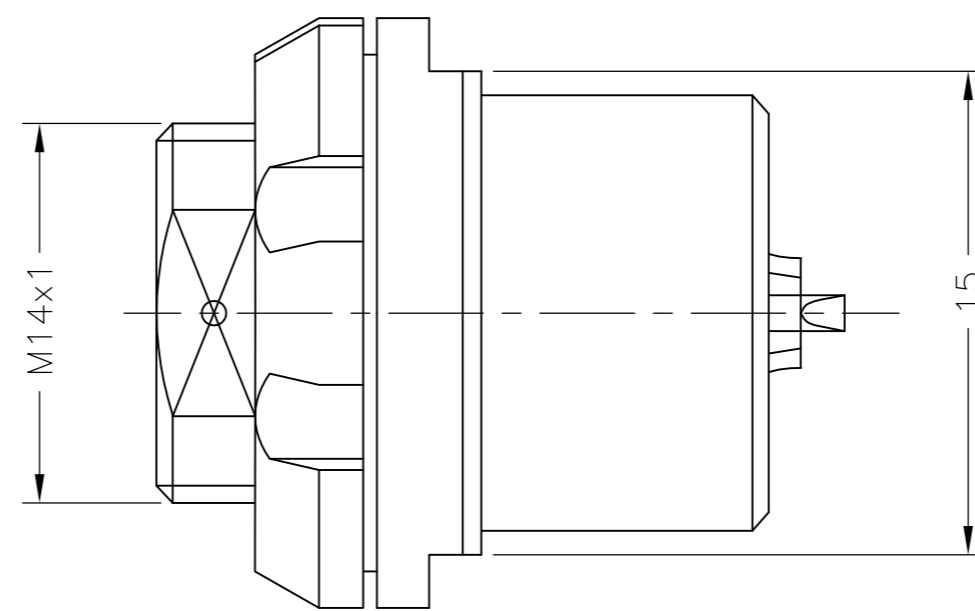
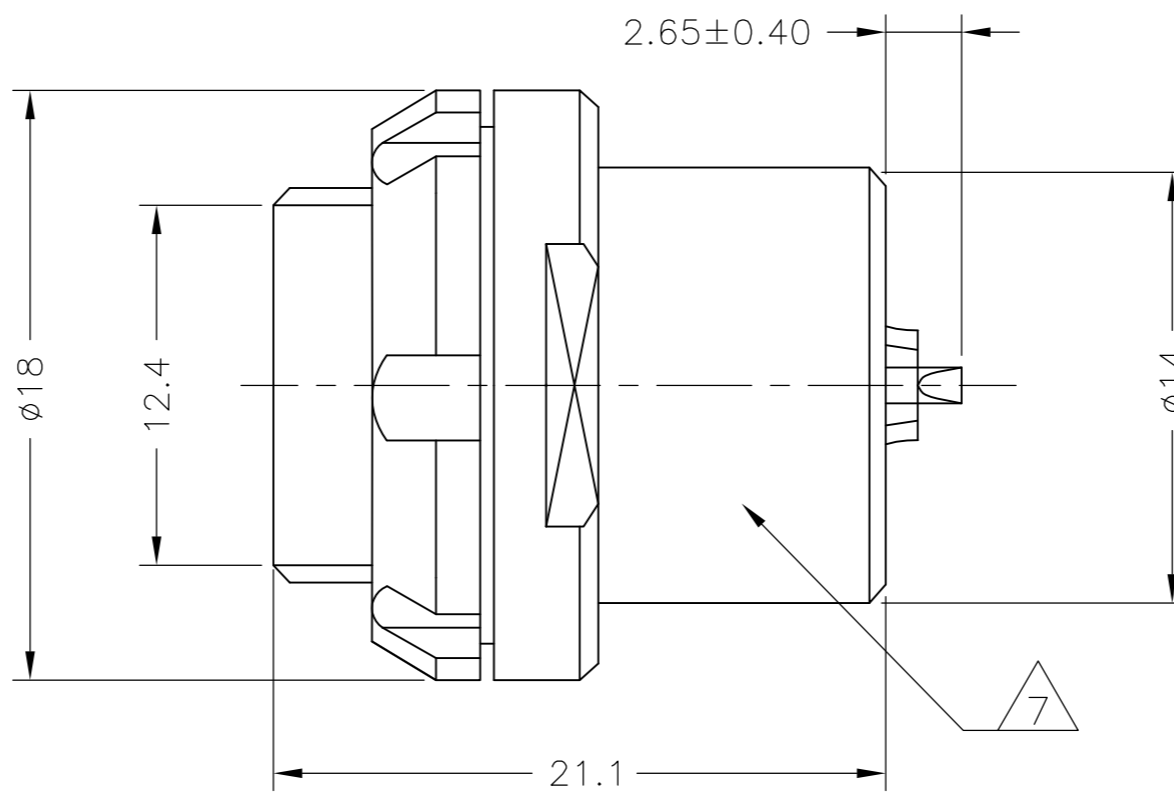
LOC		DIST		REVISIONS			
P	LTR	DESCRIPTION	DATE	DWN	APVD		
C		REVISED PER ECO 13-001843.	08FEB2013	MGM	CT		



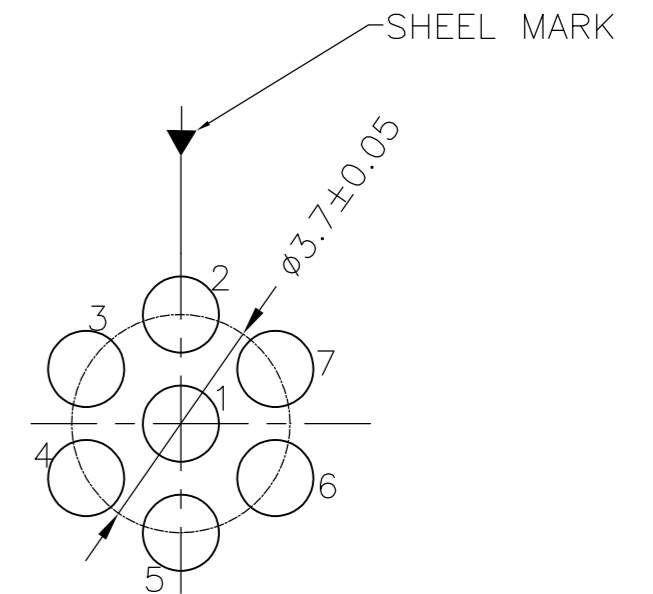
SINGLE POLARIZATION



DOUBLE POLARIZATION



PANEL CUTOUT



CAVITY IDENTIFICATION WHEN VIEWED FROM MATING FACE OF CONNECTOR

- 1. DWV RATING: 875VAC @ SEA LEVEL
- 2. WIRE SIZE: 24 AWG MAX
- 3. WORKING TEMPERATURE: -55°C ~ +125°C

4 MATERIAL:
 CONTACT : COPPER ALLOY
 SHELL : COPPER ALLOY
 INSULATOR : PEEK
 O RING : SILICON RUBBER

5 FINISH
 CONTACT: GOLD OVER NICKEL
 SHELL : BLACK CHROMIUM

6. WATER PROOF: 1M IMMERSION

7 PART IS MARKED WITH TE PART NUMBER, CHINA, DATE CODE AND LOT ID

8 ALL TOLERANCES TO BE ±0.20MM UNLESS NOTED.

2	CHROMIUM-BLACK	DOUBLE	SOLDERING	2101676-2
2	CHROMIUM-BLACK	SINGLE	SOLDERING	2101676-1
SHELL SIZE	FINISH	POLARIZATION	TERMINATION	TE CONNECTIVITY PART NUMBER

THIS DRAWING IS A CONTROLLED DOCUMENT.		DWN C.C THOMAS 08MAR2010	TE Connectivity CIRCULAR HD RECEPTACLE WITH SOLDER CUP CONTACTS - 7 POS	
DIMENSIONS: mm		CHK R. GROSS 08MAR2010		
TOLERANCES UNLESS OTHERWISE SPECIFIED:		APVD R. GROSS 08MAR2010	NAME	
0 PLC ± - 8 1 PLC ± - 2 PLC ± 0.20 3 PLC ± - 4 PLC ± - ANGLES ± 3°		PRODUCT SPEC 108-127005	SIZE A2	
MATERIAL 5		FINISH 6	CAGE CODE 00779	DRAWING NO C=2101676
CUSTOMER DRAWING		WEIGHT	SCALE NTS	SHEET 1 of 1
			RESTRICTED TO	REV C