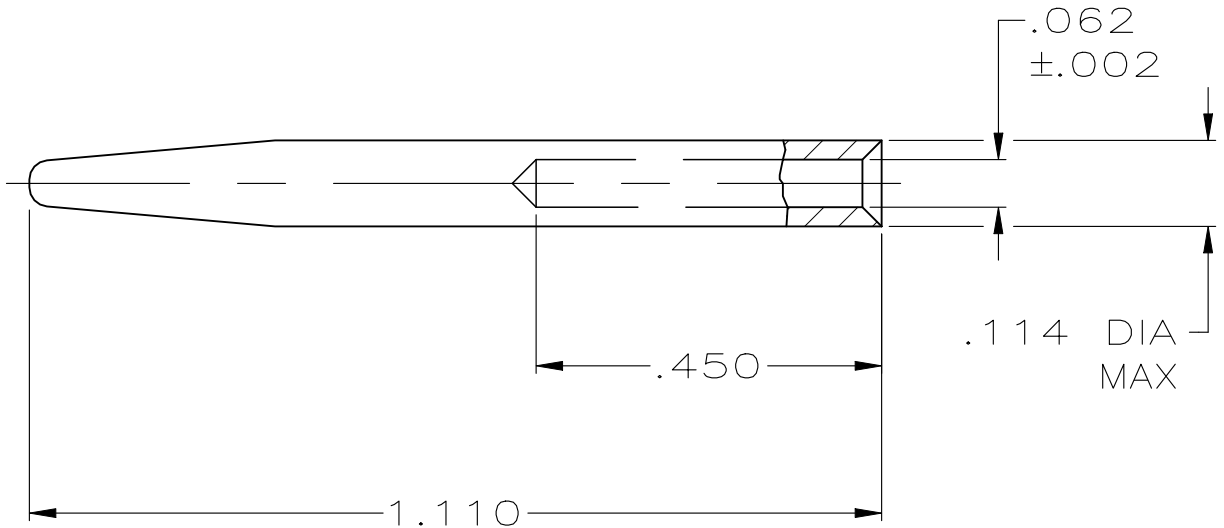


REVISIONS					
P	LTR	DESCRIPTION	DATE	DWN	APVD
	C	ECN-22-138600	12FEB2022	RK	MZ



TE Connectivity. All Rights Reserved.

-



208337-1
PART NO

DIMENSIONS: INCHES	DWN	A.STAUB BG	7/26/90	MATERIAL	ACETAL COLOR: NATURAL	FINISH	-
	CHK	-	-	TE Connectivity			
TOLERANCES UNLESS OTHERWISE SPECIFIED:	APVD	-	-				
	0 PLC	± -	PRODUCT SPEC	SEAL PROTECTOR, PIN, ECONOSEAL			
1 PLC	± -	APPLICATION SPEC	-				
2 PLC	± -	WEIGHT	-	SIZE	A4	CAGE CODE	00779
3 PLC	± .015		-	DRAWING NO	C-208337		RESTRICTED TO
4 PLC	± -			SCALE	4:1	SHEET	1 OF 1
ANGLES	± -	CUSTOMER DRAWING					C