

4

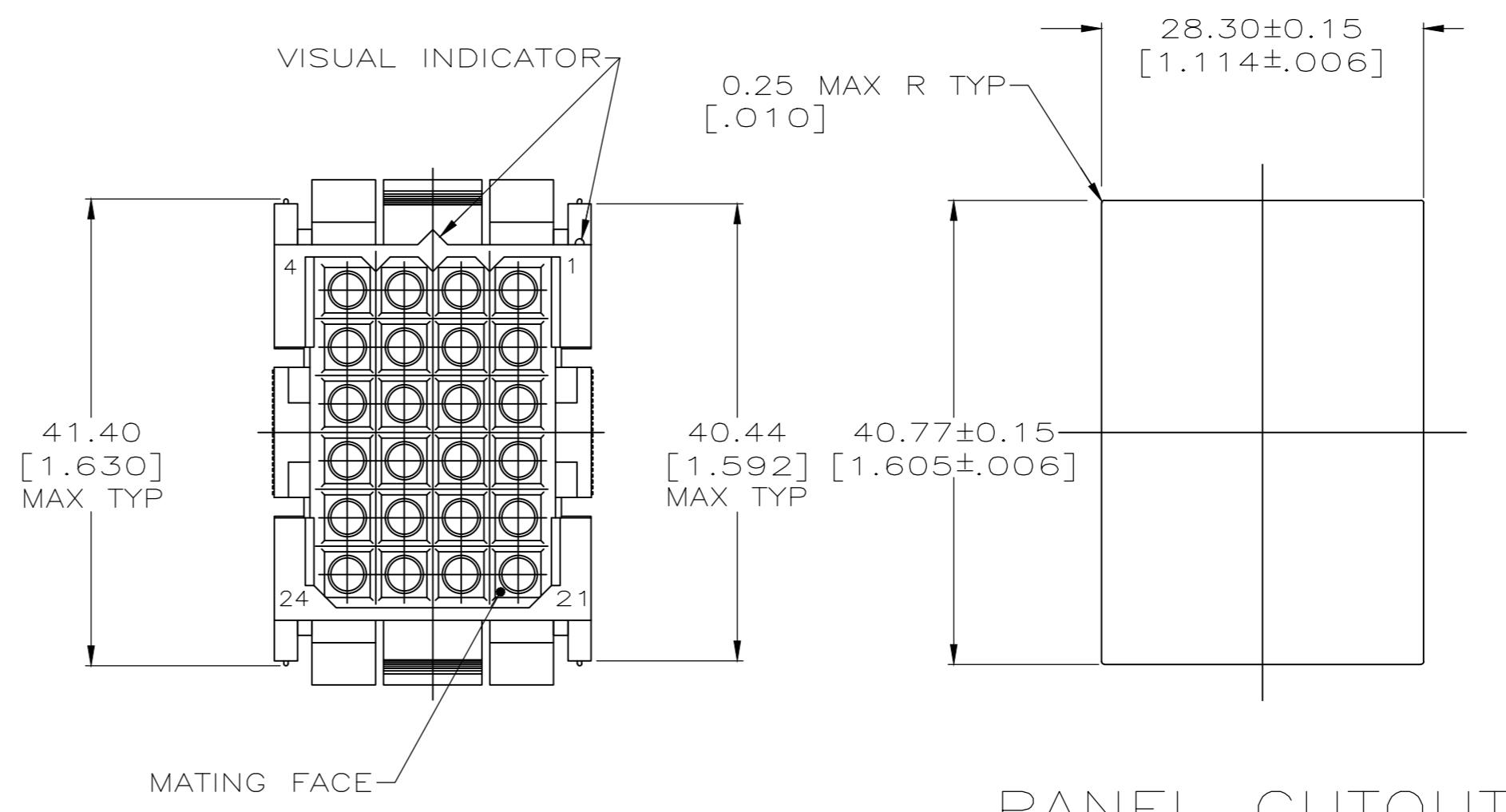
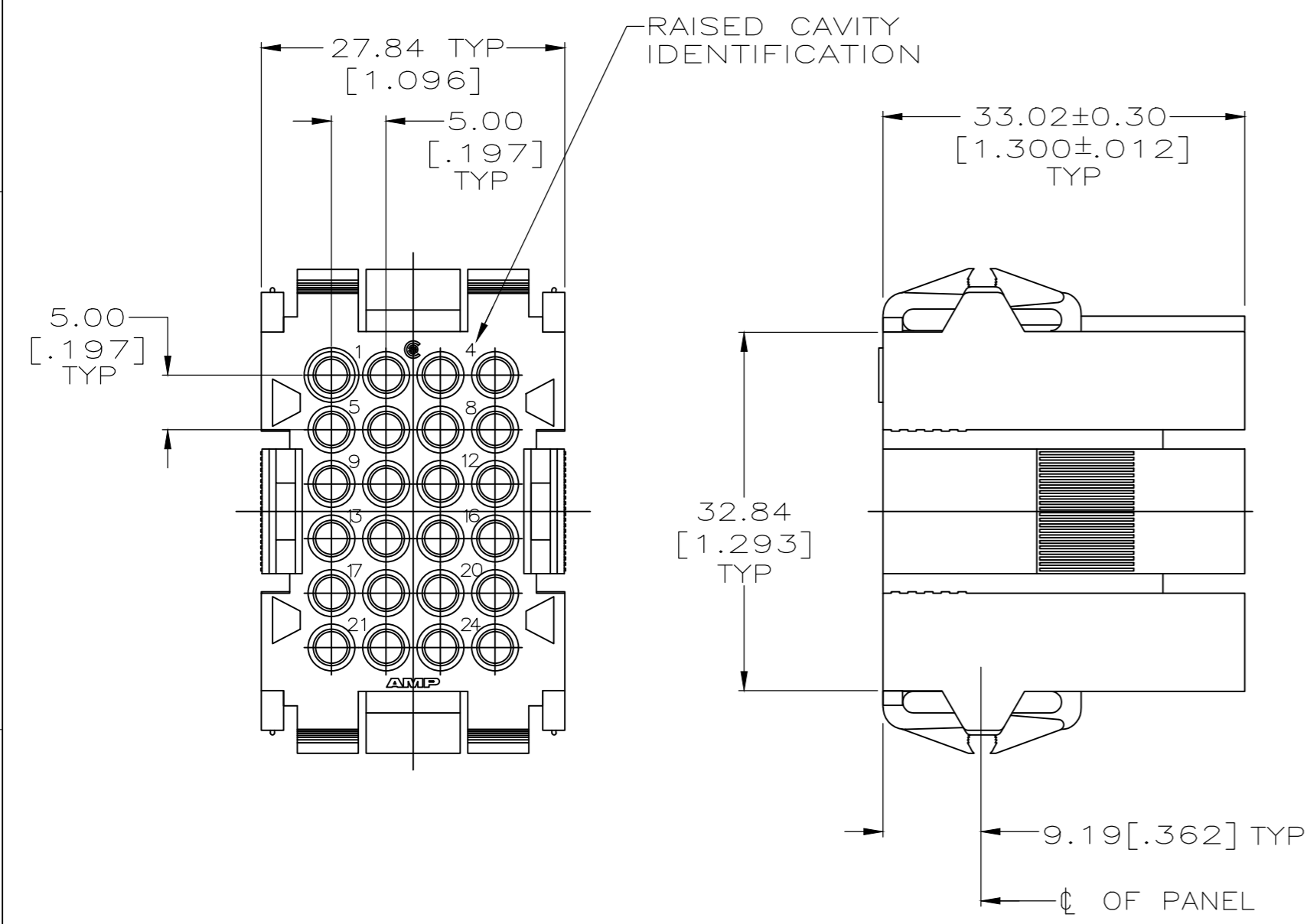
3

2

1

THIS DRAWING IS UNPUBLISHED. RELEASED FOR PUBLICATION
COPYRIGHT - TE Connectivity Ltd. ALL RIGHTS RESERVED.

REVISIONS				
P	LTR	DESCRIPTION	DATE	APVD
L		REV PER EC 0020-250-94	03/24/94	AT
M		REV PER EC 0020-250-94	19FEB2020	RK MZ



PANEL CUTOUT

1. PANEL RETENTION MECHANISM ACCOMMODATES PANEL THICKNESSES FROM 0.76[.030] TO 2.29[.090].

2 HOUSING MATERIAL: PA66, BLACK, UL 94 V-0 RATED.

207305-1
PART NUMBER

THIS DRAWING IS A CONTROLLED DOCUMENT.		DWN W.LENKER 08/26/92	STE TE Connectivity	
DIMENSIONS: mm [INCHES]		CHK R.STONE 8-31-92		
TOLERANCES UNLESS OTHERWISE SPECIFIED:		APVD A.TRAVIS 9-2-92	NAME HOUSING, RECEPTACLE, 24 POSITION, METRIMATE	
0 PLC ± -		PRODUCT SPEC 108-10033	APPLICATION SPEC	
1 PLC ± -		SIZE A2	CAGE CODE 00779	DRAWING NO C-207305
2 PLC ± 0.25 [.010]		RESTRICTED TO	-	
3 PLC ± -		WEIGHT	-	
4 PLC ± -		CUSTOMER DRAWING	SCALE 2:1	SHEET 1 of 1
ANGLES ± -		REV M		
MATERIAL 2		FINISH -		

207305
B

A