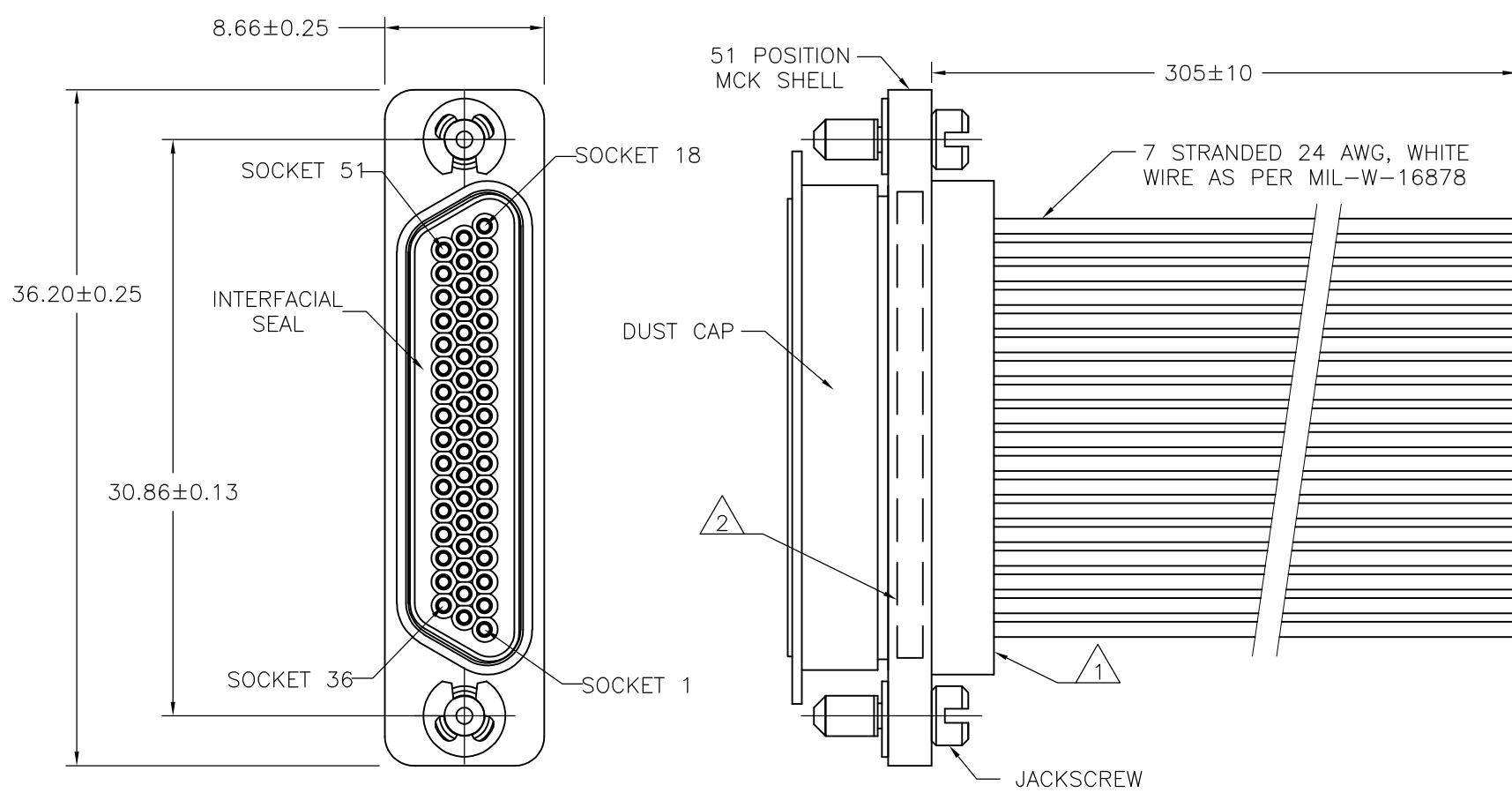


THIS DRAWING IS UNPUBLISHED. RELEASED FOR PUBLICATION  
 © COPYRIGHT - By - ALL RIGHTS RESERVED.

LOC	DIST	REVISIONS					
		P	LTR	DESCRIPTION	DATE	DWN	APVD
-	-	A		NEW DRAWN	19DEC2011	SS	GA



CONTACT ARRANGEMENT AS SEEN FROM  
 FACE VIEW OF SOCKET SIDE  
 (DUST CAP NOT SHOWN)

- 1 MAXIMUM POTTING DONE UP TO HEIGHT OF THE SHELL PLUS 0.5mm
- 2 TE PN AND DATE CODE (YYWW) ARE PRINTED ON THE CONNECTOR SHELL.
- 3 SPECIFICATION:
  - a. ELECTRICAL:
    - CONTACT RESISTANCE : 25 MILLIVOLTS MAX. AT 3 AMPS
    - INSULATION RESISTANCE : 5000 MEGAOHMS MIN. @ 500 VDC AT AMBIENT ROOM TEMPERATURE
    - CURRENT RATING : 3 AMP MAX. PER CONTACT
  - b. MECHANICAL:
    - CONTACT ENGAGING FORCE : 2.22 N MAX. PER CONTACT
    - CONTACT SEPARATION FORCE : 0.14 N MIN. PER CONTACT
  - c. ENVIRONMENTAL:
    - OPERATING TEMPERATURE : -55° C TO +125° C
    - VIBRATION CHARACTERISTICS : PER MIL-STD-1344, METHOD 2005, TEST CONDITION IV
- 4 MATERIAL:
  - SHELL : ALUMINUM ALLOY 6061 T6 GRADE.
  - CONTACT : BeCu
  - JACKSCREW : STAINLESS STEEL
  - RETAINING RING : STAINLESS STEEL
- 5 FINISH:
  - SHELL : ELECTROLESS NICKEL PLATING PER MIL-C-26074
  - CONTACT : GOLD PLATE PER MIL-G-45204
  - JACKSCREW : PASSIVATED
  - RETAINING RING : PASSIVATED

2067705-1	MCK-N1-LM-51S4A1-12.0
TE PN	DESCRIPTION

THIS DRAWING IS A CONTROLLED DOCUMENT.		DWN	SUNNY S	19DEC2011	<b>STE</b> TE Connectivity												
DIMENSIONS: mm [INCHES]		CHK	NIRANJAN H	19DEC2011													
TOLERANCES UNLESS OTHERWISE SPECIFIED:		APVD	GIRISH ARITHALA	19DEC2011													
<table border="0"> <tr><td>0 PLC</td><td>± -</td></tr> <tr><td>1 PLC</td><td>± -</td></tr> <tr><td>2 PLC</td><td>± -</td></tr> <tr><td>3 PLC</td><td>± -</td></tr> <tr><td>4 PLC</td><td>± -</td></tr> <tr><td>ANGLES</td><td>± -</td></tr> </table>		0 PLC	± -	1 PLC		± -	2 PLC	± -	3 PLC	± -	4 PLC	± -	ANGLES	± -	PRODUCT SPEC	NAME	
0 PLC	± -																
1 PLC	± -																
2 PLC	± -																
3 PLC	± -																
4 PLC	± -																
ANGLES	± -																
MATERIAL		FINISH	APPLICATION SPEC		RESTRICTED TO												
4		5		SIZE	CAGE CODE	DRAWING NO	RESTRICTED TO										
CUSTOMER DRAWING		WEIGHT		A3SDX74		C=2067705	—										
		SCALE		SHEET		REV											
		NTS		1 OF 1		A											