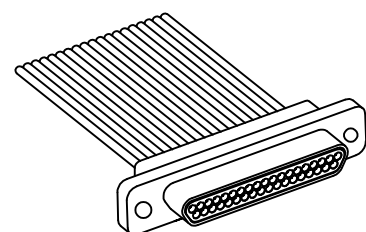
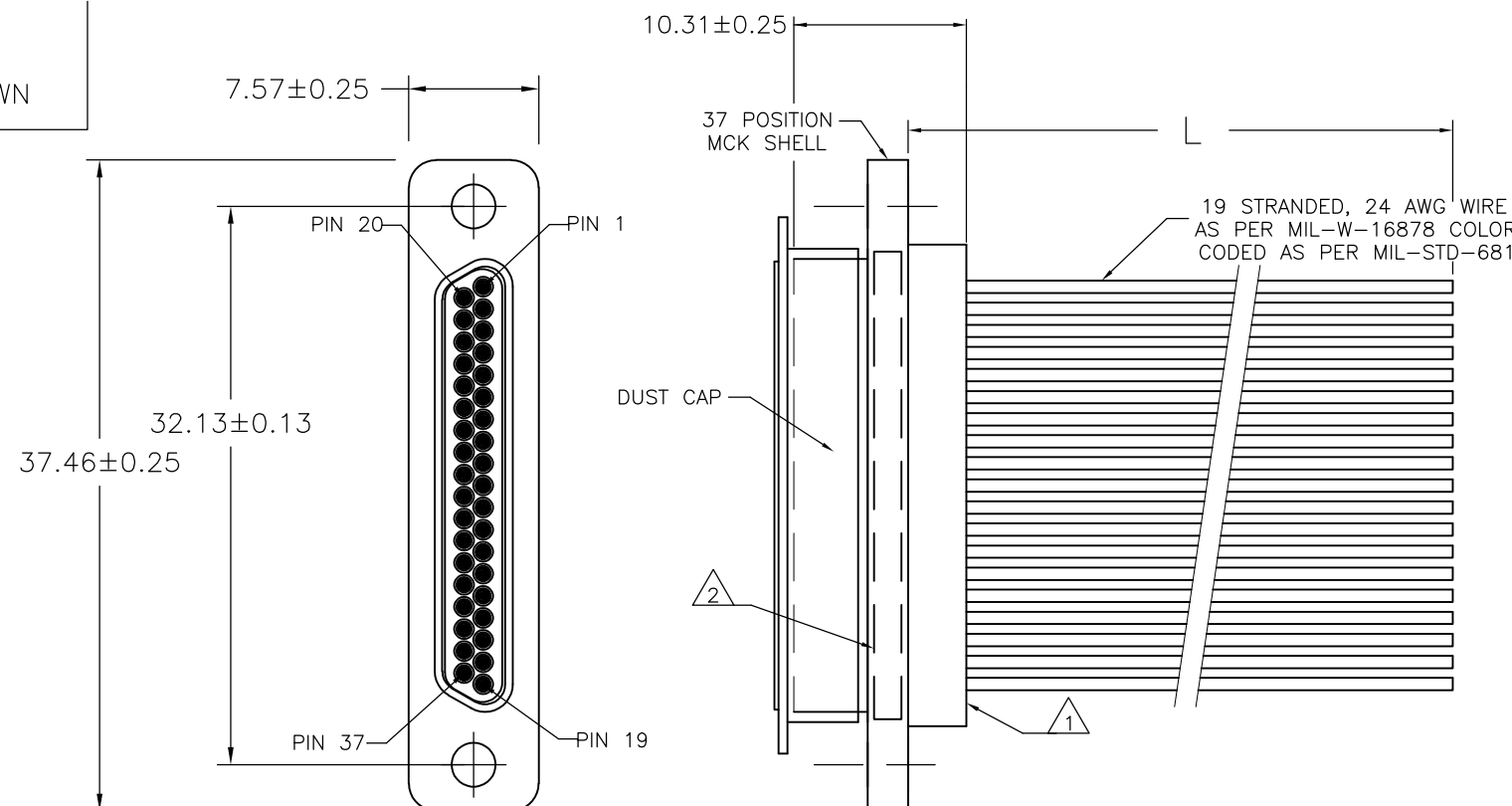


THIS DRAWING IS UNPUBLISHED. RELEASED FOR PUBLICATION
 © COPYRIGHT - By - ALL RIGHTS RESERVED.

LOC	DIST	REVISIONS					
		P	LTR	DESCRIPTION	DATE	DWN	APVD
-	-	A		NEW RELEASE	06/6/2011	NH	KR
		B		ECR-11-012873	03/08/11	SS	KR



2067638-1 AS SHOWN



CONTACT ARRANGEMENT AS SEEN FROM FACE VIEW OF PIN SIDE (DUST CAP NOT SHOWN)

- 1 MAXIMUM POTTING DONE UP TO HEIGHT OF THE SHELL PLUS 0.5mm
- 2 TE PN AND DATE CODE (YYWW) ARE PRINTED ON THE CONNECTOR SHELL.
- 3 SPECIFICATION:
 - a. ELECTRICAL:
 - CONTACT RESISTANCE : 25 MILLIVOLTS MAX. AT 3 AMPS
 - INSULATION RESISTANCE : 5000 MEGAOHMS MIN. @ 500 VDC AT AMBIENT ROOM TEMPERATURE
 - CURRENT RATING : 3 AMP MAX. PER CONTACT
 - b. MECHANICAL:
 - CONTACT ENGAGING FORCE : 2.22 N MAX. PER CONTACT
 - CONTACT SEPARATION FORCE : 0.14 N MIN. PER CONTACT
 - c. ENVIRONMENTAL:
 - OPERATING TEMPERATURE : -55° C TO +125° C
 - VIBRATION CHARACTERISTICS : PER MIL-STD-1344, METHOD 2005, TEST CONDITION IV
- 4 MATERIAL:
 - SHELL : ALUMINUM ALLOY 6061 T6 GRADE.
 - CONTACT : ELECTROLESS NICKEL PLATING PER MIL-C-26074, CLASS 4, GRADE A.
- 5 FINISH:
 - SHELL : GOLD PLATE PER MIL-G-45204, TYPE II, CLASS 1.
 - CONTACT : GOLD PLATE PER MIL-G-45204, TYPE II, CLASS 1.

WIRING CHART

PIN NO	WIRE COLOR CODE	PIN NO	WIRE COLOR CODE	PIN NO	WIRE COLOR CODE	PIN NO	WIRE COLOR CODE
1	BLACK	11	WHITE/BLACK	21	WHITE/BLACK/RED	31	WHITE/BROWN/GREEN
2	BROWN	12	WHITE/BROWN	22	WHITE/BLACK/ORANGE	32	WHITE/BROWN/BLUE
3	RED	13	WHITE/RED	23	WHITE/BLACK/YELLOW	33	WHITE/BROWN/VIOLET
4	ORANGE	14	WHITE/ORANGE	24	WHITE/BLACK/GREEN	34	WHITE/BROWN/GREY
5	YELLOW	15	WHITE/YELLOW	25	WHITE/BLACK/BLUE	35	WHITE/RED/ORANGE
6	GREEN	16	WHITE/GREEN	26	WHITE/BLACK/VIOLET	36	WHITE/RED/YELLOW
7	BLUE	17	WHITE/BLUE	27	WHITE/BLACK/GREY	37	WHITE/RED/GREEN
8	VIOLET	18	WHITE/VIOLET	28	WHITE/BROWN/RED		
9	GREY	19	WHITE/GREY	29	WHITE/BROWN/ORANGE		
10	WHITE	20	WHITE/BLACK/BROWN	30	WHITE/BROWN/YELLOW		

152	2067638-2	MCK-N1-B-37P4D7-6.0
1016	2067638-1	MCK-N1-B-37P4D7-40.0
L±5	TE PN	DESCRIPTION

THIS DRAWING IS A CONTROLLED DOCUMENT.

DWN: NIRANJAN H 06JUN2011
 CHK: SHIVAPRAKASH K R 06JUN2011
 APVD: SHIVAPRAKASH K R 06JUN2011

STE TE Connectivity

NAME: MCK N1 37 POSITION FLYING LEAD ASSEMBLY

PRODUCT SPEC: -
 APPLICATION SPEC: -

SIZE: A3 CAGE CODE: SDX74 DRAWING NO: C-2067638 RESTRICTED TO: -

WEIGHT: -

CUSTOMER DRAWING SCALE: NTS SHEET: 1 OF 1 REV: B

DIMENSIONS: mm [INCHES] TOLERANCES UNLESS OTHERWISE SPECIFIED:
 0 PLC ± -
 1 PLC ± -
 2 PLC ± -
 3 PLC ± -
 4 PLC ± -
 ANGLES ± -

MATERIAL: 4 FINISH: 5