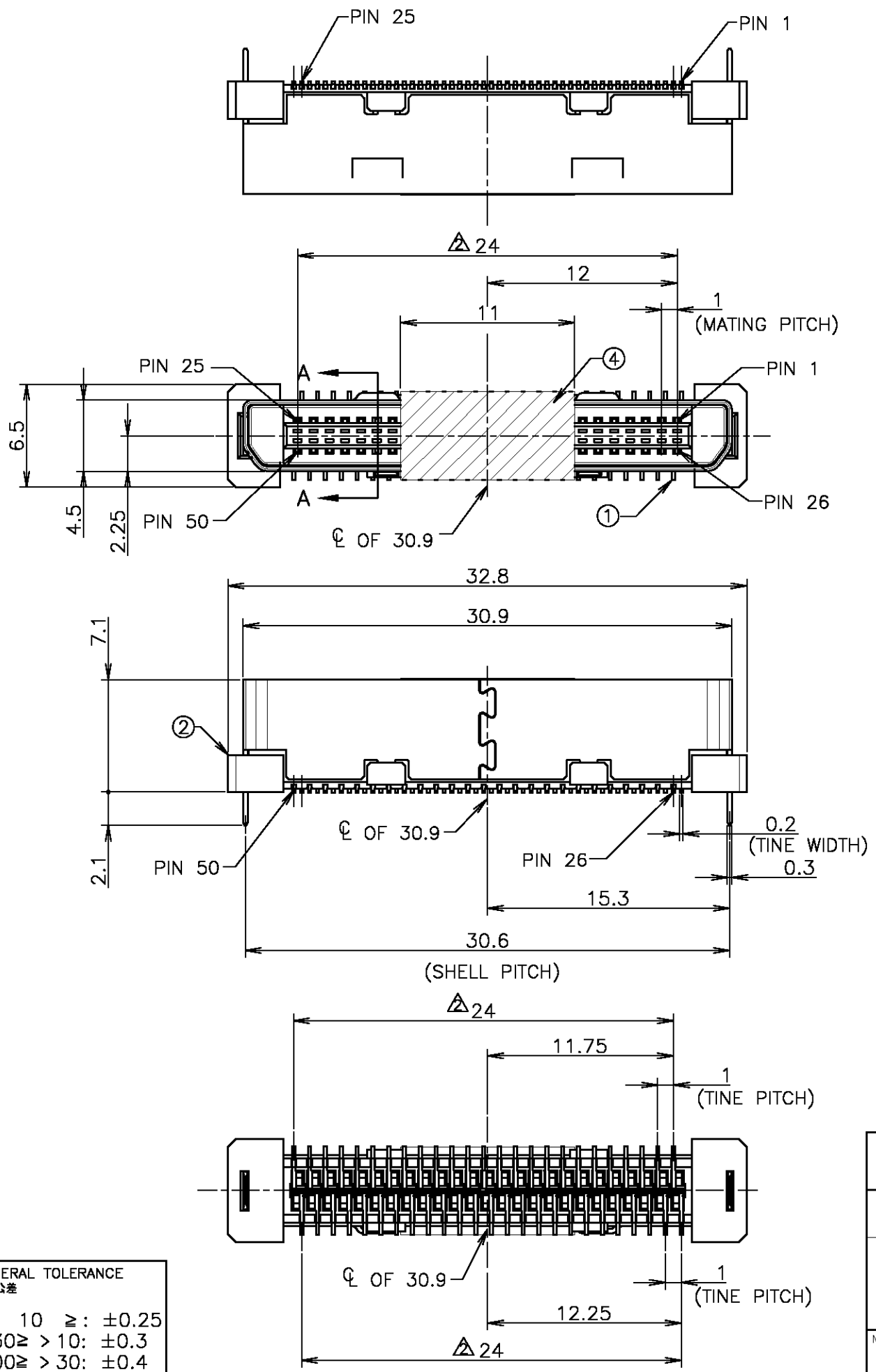


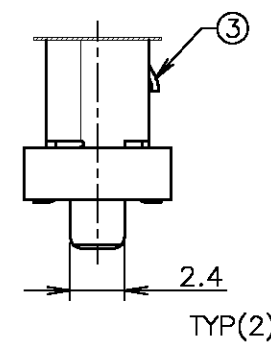
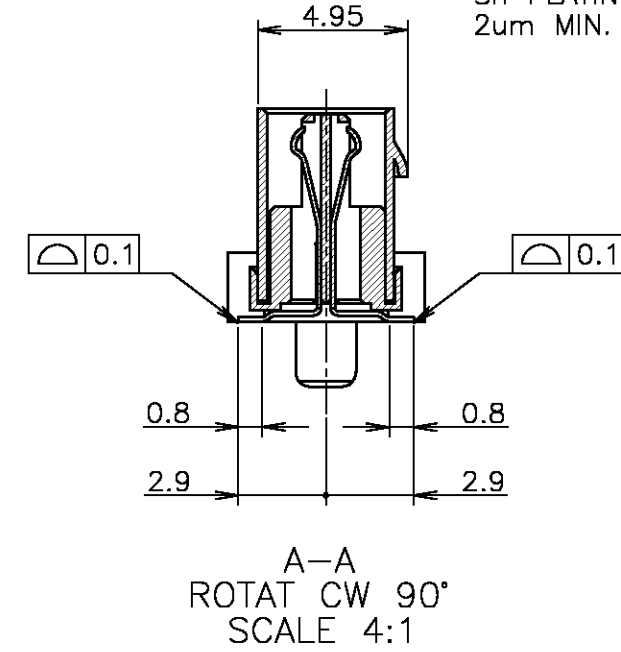
THIS DRAWING IS UNPUBLISHED. RELEASED FOR PUBLICATION APR, 2009.
 © COPYRIGHT 2009 BY TYCO ELECTRONICS CORPORATION. ALL INTERNATIONAL RIGHTS RESERVED.

LOC	DIST	REVISIONS					
J	/	P	LTR	DESCRIPTION	DATE	DWN	APVD
		A		RELEASED	24APR2009	T.W	S.K

-1; AS SHOWN



- 1 推奨基板厚: 1.6mm
- △ 非累積公差
- ③ 仕上げ
 コントクト: 全面ニッケル下地 1.3μm 以上
 接点部 金フラッシュめっき 0.05μm 以上
 半田付け部 錫めっき 2μm 以上
- 1 RECOMMENDED P.C BOARD THICKNESS; 1.6mm
- △ NON CUMULATIVE
- ③ CONTACT; Ni UNDER PLATING ALL OVER
 1.3um MIN.
 Au PLATING ON CONTACT AREA
 0.05um MIN.
 Sn PLATING ON SOLDERING AREA
 2um MIN.



1	COLOR: BROWN 色: 茶色	POLYIMIDE ポリイミド	TAPE テープ	④
1	TIN PLATE OVER NICKEL UNDER PLATE ニッケルめっき上にすずめっき	COPPER ALLOY 銅合金	SHELL シェル	③
1	COLOR: BLACK 色: 黒	HIGH TEMP, THERMO PLASTIC, UL94V-0 熱可塑性樹脂 UL94V-0	HOUSING ハウジング	②
50	SOLDER TINE AREA; TIN PLATE, CONTACT AREA; Au PLATE NICKEL UNDER PLATE ALL OVER タイン部: すずめっき, 接触部: 金めっき 全面ニッケル下地めっき	COPPER ALLOY 銅合金	CONTACT コンタクト	①
QTY	仕上/FINISH	材料/MATERIAL	名称/NAME	ITEM

GENERAL TOLERANCE
一般公差

10 ≥	±0.25
30 ≥ > 10	±0.3
100 ≥ > 30	±0.4
ANGLES	±3°

THIS DRAWING IS A CONTROLLED DOCUMENT.

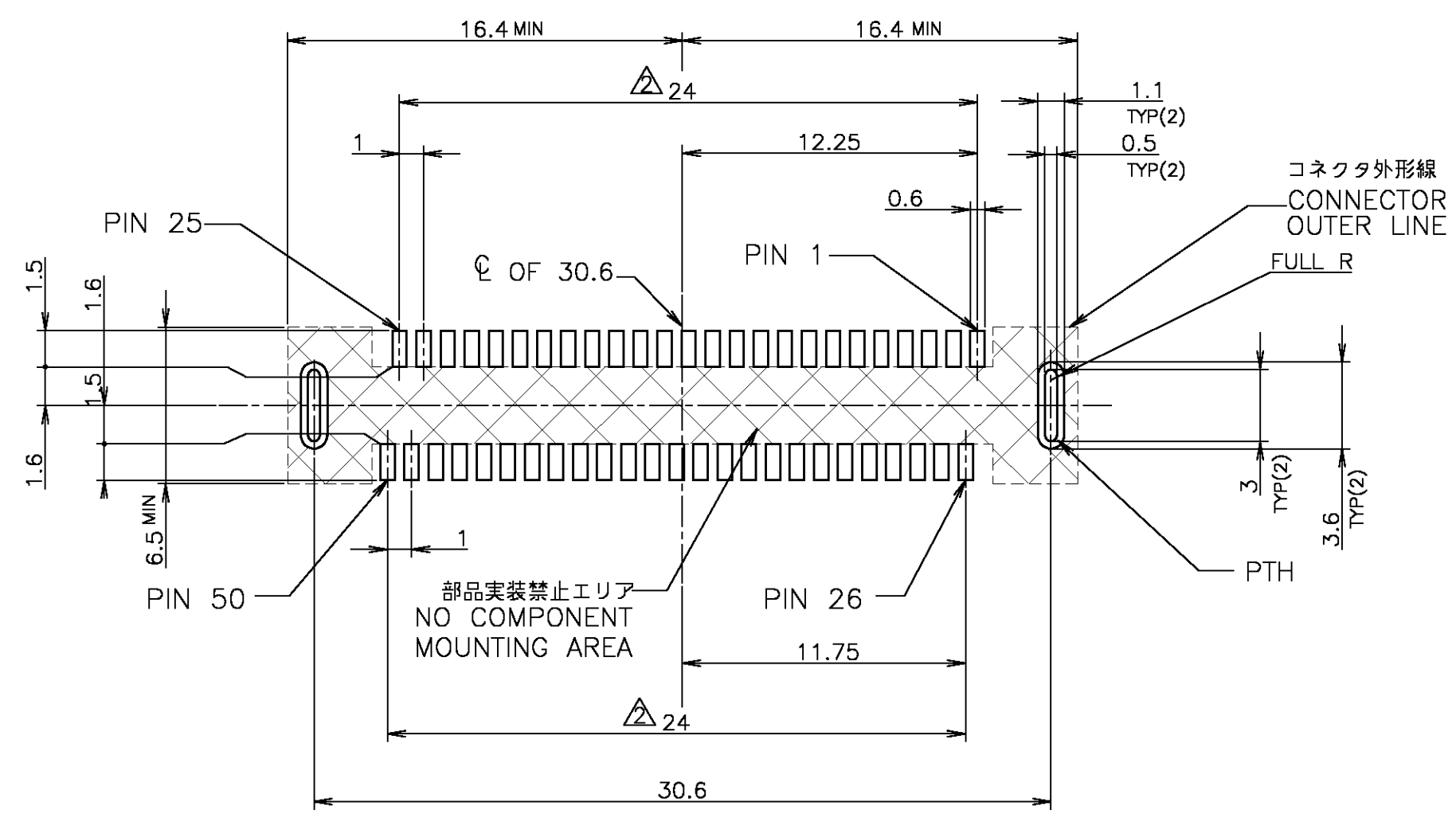
DIMENSIONS: 単位: 耗 mm	TOLERANCES UNLESS OTHERWISE SPECIFIED: 一般公差	DWN T. WATANABE 24APR2009	 Tyco Electronics Corporation Kawasaki, Japan			
	0 PLC ±- 1 PLC ±- 2 PLC ±- 3 PLC ±- 4 PLC ±- ANGLES ±-	CHK I. IGARASHI 24APR2009				
		APVD S. KAJINUMA 24APR2009				
		NAME 名称 1MM WIRE TO BOARD INTERNAL CONNECTOR RECEPTACLE 50 POSITIONS VERTICAL TYPE				
MATERIAL 材料	FINISH 仕上	WEIGHT	SIZE A3	CAGE CODE 00779	DRAWING NO 番号 C-2040809	RESTRICTED TO

CUSTOMER DRAWING

SCALE 尺度 NTS SHEET 1 OF 3 REV A

THIS DRAWING IS UNPUBLISHED. RELEASED FOR PUBLICATION APR , 2009.
 © COPYRIGHT 2009 BY TYCO ELECTRONICS CORPORATION. ALL INTERNATIONAL RIGHTS RESERVED.

LOC	DIST	REVISIONS					
J	/	P	LTR	DESCRIPTION	DATE	DWN	APVD
		-		SEE SHEET 1	-	-	-



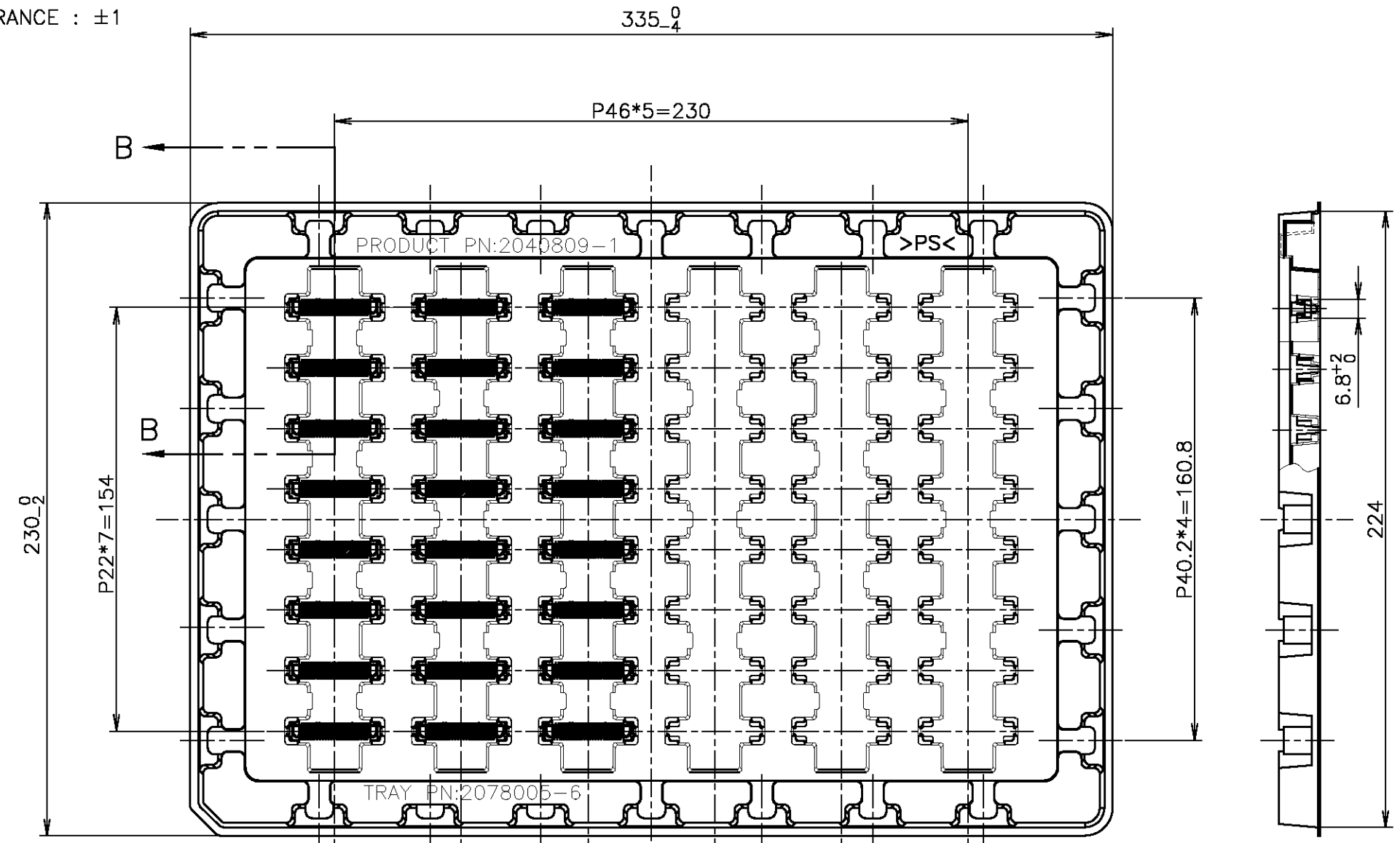
推奨パターンレイアウト (コネクタ取付面)
 RECOMMENDED PWB LAYOUT (COMPONENT SIDE)
 一般公差 : ±0.05
 GENERAL TOLERANCE : ±0.05

THIS DRAWING IS A CONTROLLED DOCUMENT.		DWN		Tyco Electronics Corporation Kawasaki, Japan																							
DIMENSIONS: 単位: 耗 mm		TOLERANCES UNLESS OTHERWISE SPECIFIED: 一般公差		NAME 名称 1MM WIRE TO BOARD INTERNAL CONNECTOR RECEPTACLE 50 POSITIONS VERTICAL TYPE																							
<table border="1"> <tr><td>0 PLC</td><td>± -</td></tr> <tr><td>1 PLC</td><td>± -</td></tr> <tr><td>2 PLC</td><td>± -</td></tr> <tr><td>3 PLC</td><td>± -</td></tr> <tr><td>4 PLC</td><td>± -</td></tr> <tr><td>ANGLES</td><td>± -</td></tr> </table>		0 PLC	± -	1 PLC	± -	2 PLC	± -	3 PLC	± -	4 PLC	± -	ANGLES	± -	<table border="1"> <tr><td>CHK</td><td></td></tr> <tr><td>APVD</td><td></td></tr> <tr><td>PRODUCT SPEC 製品規格</td><td></td></tr> <tr><td>APPLICATION SPEC 取付適用規格</td><td></td></tr> <tr><td>WEIGHT</td><td></td></tr> </table>		CHK		APVD		PRODUCT SPEC 製品規格		APPLICATION SPEC 取付適用規格		WEIGHT		SIZE A3	
0 PLC	± -																										
1 PLC	± -																										
2 PLC	± -																										
3 PLC	± -																										
4 PLC	± -																										
ANGLES	± -																										
CHK																											
APVD																											
PRODUCT SPEC 製品規格																											
APPLICATION SPEC 取付適用規格																											
WEIGHT																											
MATERIAL 材料		FINISH 仕上		CAGE CODE 00779																							
				DRAWING NO 番号 C-2040809																							
				RESTRICTED TO -																							
CUSTOMER DRAWING				SCALE 尺度 4:1																							
				SHEET 2 OF 3																							
				REV A																							

THIS DRAWING IS UNPUBLISHED. RELEASED FOR PUBLICATION APR, 2009.
 © COPYRIGHT 2009 BY TYCO ELECTRONICS CORPORATION. ALL INTERNATIONAL RIGHTS RESERVED.

LOC	DIST	REVISIONS					
J	/	P	LTR	DESCRIPTION	DATE	DWN	APVD
		-		SEE SHEET 1	-	-	-

QUANTITY : 48EA/TRAY
 GENERAL TOLERANCE : ±1



THIS DRAWING IS A CONTROLLED DOCUMENT.		DWN	Tyco Electronics Corporation Kawasaki, Japan		
DIMENSIONS: 单位: 耗 mm		CHK	NAME 名称 1MM WIRE TO BOARD INTERNAL CONNECTOR RECEPTACLE 50 POSITIONS VERTICAL TYPE		
TOLERANCES UNLESS OTHERWISE SPECIFIED: 一般公差		APVD	SIZE	CAGE CODE	DRAWING NO 番号
0 PLC ± -		PRODUCT SPEC 製品規格	A3	00779	C-2040809
1 PLC ± -		APPLICATION SPEC 取付適用規格	RESTRICTED TO		
2 PLC ± -		WEIGHT	-		
3 PLC ± -		CUSTOMER DRAWING			
4 PLC ± -		SCALE 尺度 NTS SHEET 3 OF 3 REV A			
ANGLES ± -					
FINISH 仕上					
MATERIAL 材料					