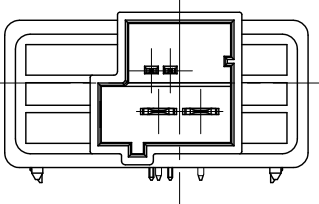
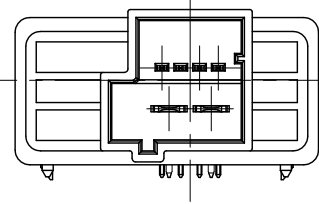
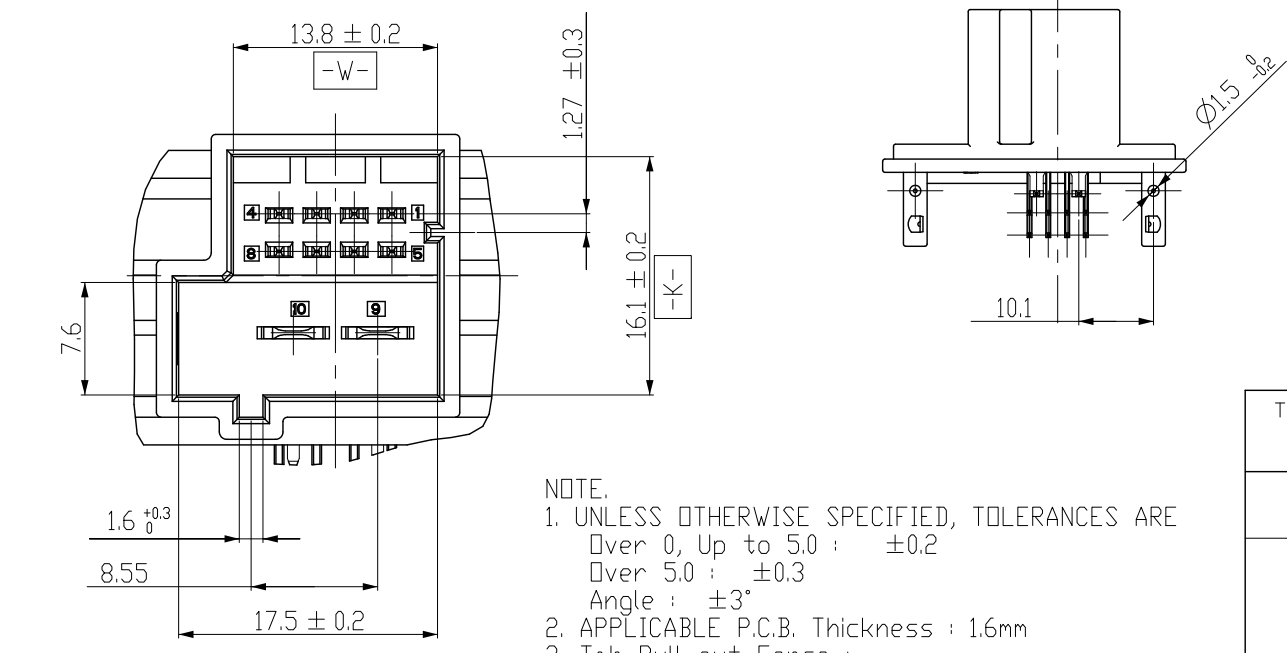
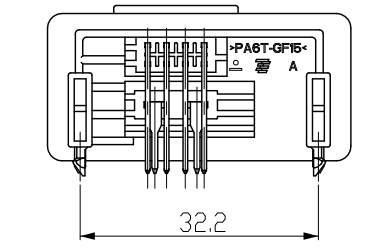
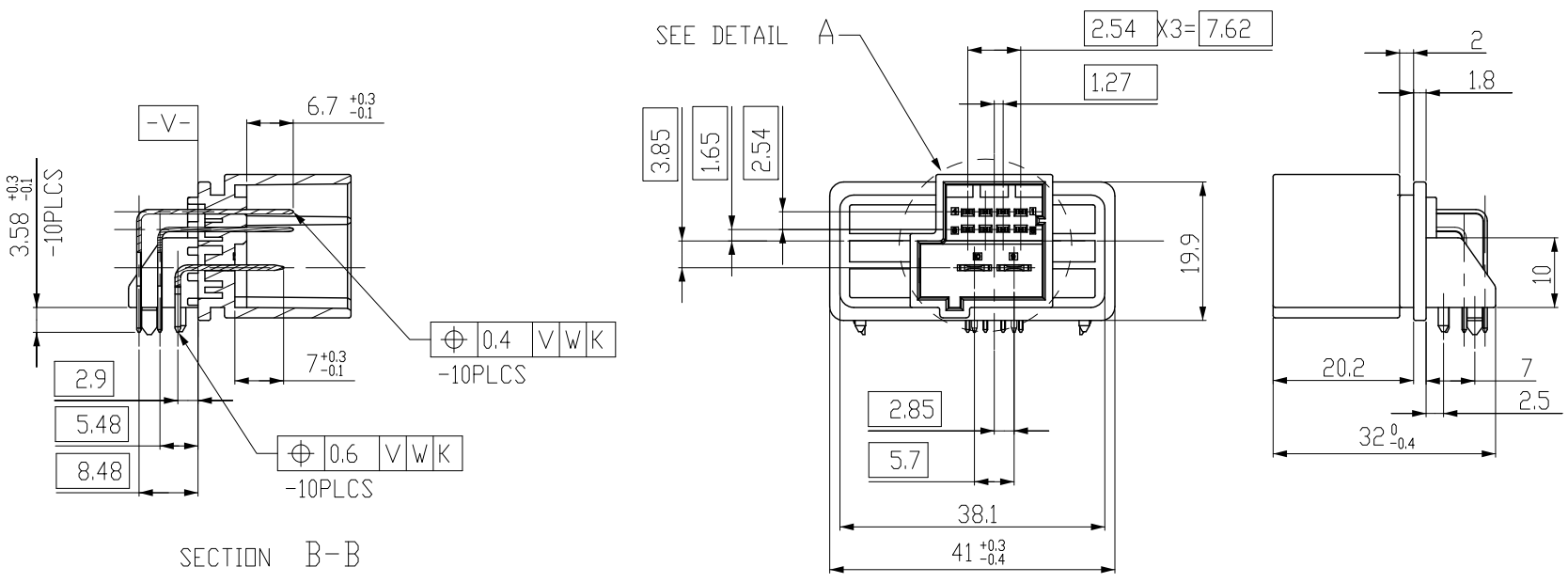
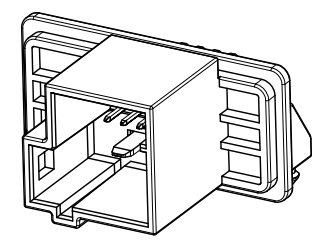
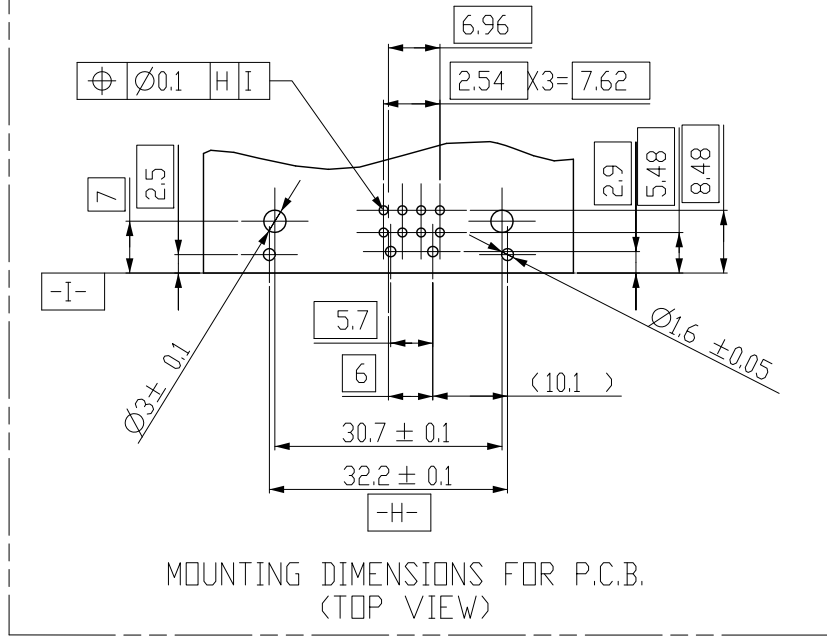


THIS DRAWING IS UNPUBLISHED. RELEASED FOR PUBLICATION. ALL RIGHTS RESERVED.

	
CONVERSION TYPE 4P Cap HSG	CONVERSION TYPE 6P Cap HSG
3-2005356-6	2-2005356-6

LOC	DIST	REVISIONS					
		P	LTR	DESCRIPTION	DATE	DWN	APVD
DS	-	B		REVISED(KECR-13-001783)	30.NOV'12	JM	HG



NOTE.  
 1. UNLESS OTHERWISE SPECIFIED, TOLERANCES ARE  
 Over 0, Up to 5.0 : ±0.2  
 Over 5.0 : ±0.3  
 Angle : ±3°  
 2. APPLICABLE P.C.B. Thickness : 1.6mm  
 3. Tab Pull out Force :  
 .025 Tab : Min 15 Newton  
 .110 Tab : Min 50 Newton

NO.	COLOR	MATERIAL	DESCRIPTION	Q'TY	NAME	ASS'Y P/N
6	TIN PLATE	BRASS	025 TAB TERMINAL LONG	4	10P HEADER ASS'Y	0-2005356-6
5	TIN PLATE	BRASS	025 TAB TERMINAL SHORT	4	6P HEADER ASS'Y	2-2005356-6
4	TIN PLATE	BRASS	110 TAB TERMINAL	2	4P HEADER ASS'Y	3-2005356-6
3	RED WINE	PA6T-GF15	025/110 HYB 4P HSG	-		
2	RED WINE	PA6T-GF15	025/110 HYB 6P HSG	-		
1	RED WINE	PA6T-GF15	025/110 HYB 10P HSG	1		

THIS DRAWING IS A CONTROLLED DOCUMENT.

DIMENSIONS: mm	TOLERANCES UNLESS OTHERWISE SPECIFIED: 0 PLC ± 1 PLC ± 2 PLC ± 3 PLC ± 4 PLC ± ANGLES ±	MATERIAL SEE TABLE	FINISH N/A
-------------------	---	-----------------------	---------------

DWN JM JEON	CHK JW JUNG	APVD HG CHO	NAME
PRODUCT SPEC			025/110 HYB 10P/6P/4P HEADER ASS'Y FOR DCX
APPLICATION SPEC			SIZE A3
WEIGHT			CAGE CODE -
CUSTOMER DRAWING			DRAWING NO C-2005356
SCALE 1:1			RESTRICTED TO -
SHEET 1 OF 1			REV B

TE Connectivity