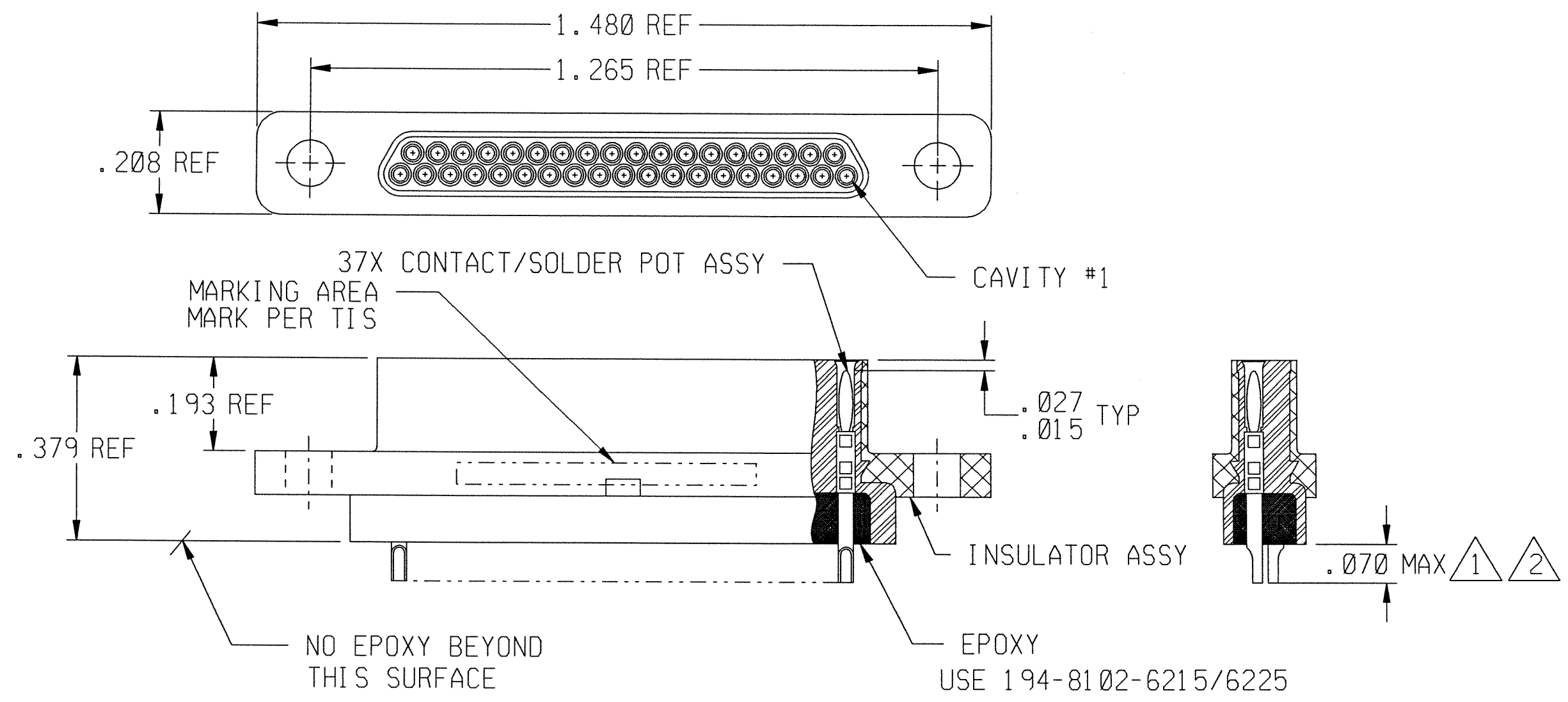


REVISION					
ZONE	LTR	ECN	DESCRIPTION	DATE	APPROVED
	E	38673	UPDATE MKING & EPOXY NOTES	3/1/99	<i>[Signature]</i>



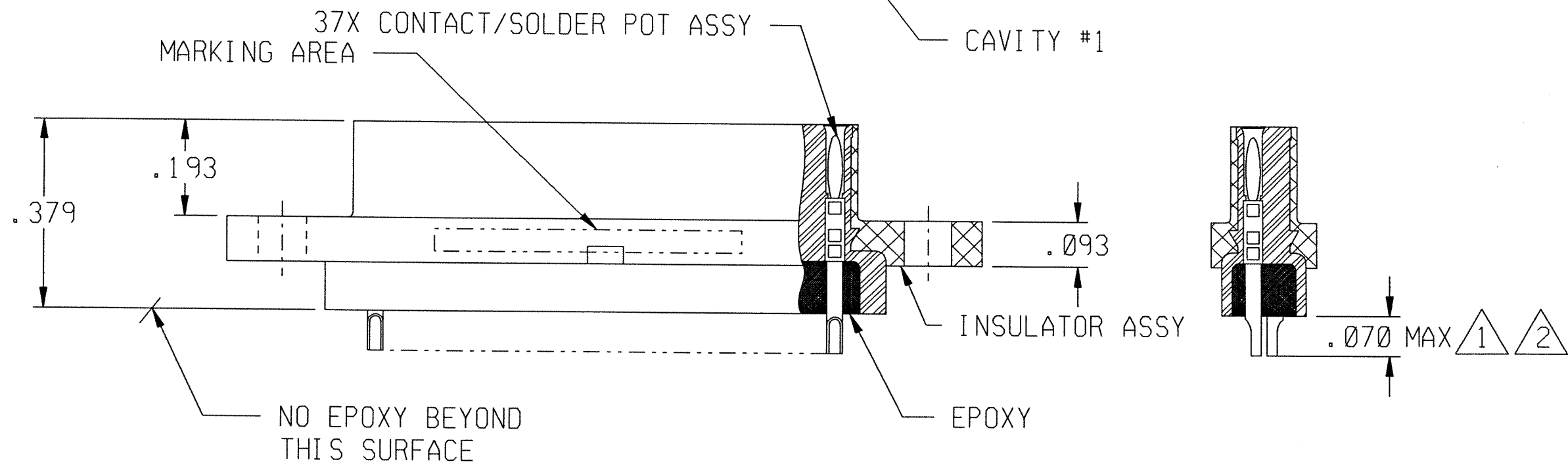
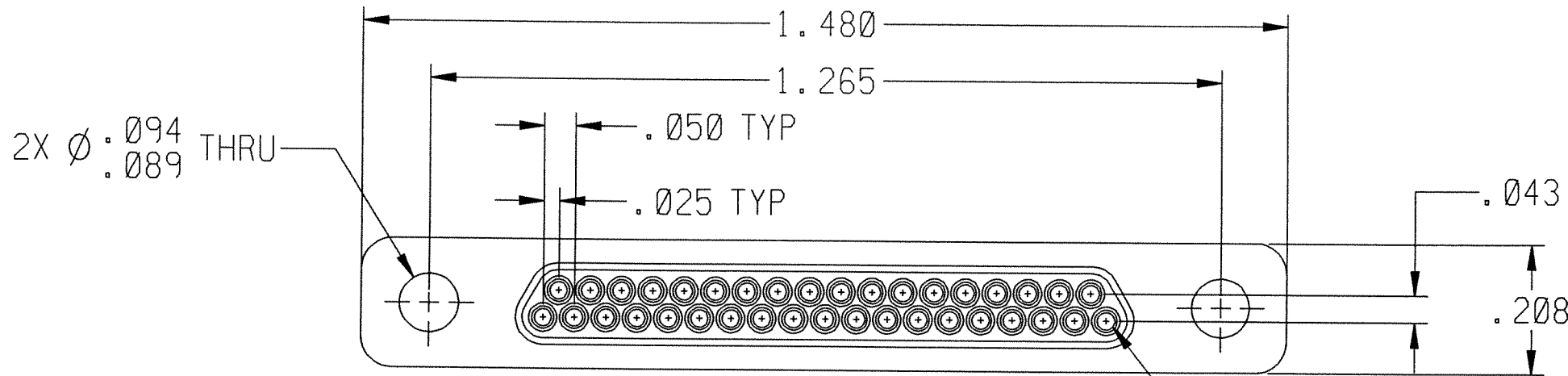
NOTES: UNLESS OTHERWISE SPECIFIED.

- ① NO SCRATCHES SHOWING ON BASE METAL PERMITTED ON SOLDER POTS.
- ② CHAMFER ON SOLDER POTS ARE TO BE PARALLEL WITH SIDES OF INSULATOR WITHIN 10 DEGREES.

Tyco Dwg 2-1532024-2
Micro P/N 095-9085-3702

UNLESS OTHERWISE SPECIFIED DIMENSIONS ARE IN INCHES. TOLERANCE ARE:			APPROVALS		MICRODOT CONNECTORS A DIVISION OF UNI-STAR INDUSTRIES INC. 306 PASADENA AVE., SO. PASADENA, CA 91030
FRACTIONS	DECIMALS	ANGLES	SIGNATURE	DATE	
± 1/8	.XX ± .01 .XXX ± .005	± 2°	<i>[Signature]</i>	3/1/99	METAL SHELL "D" CONNECTOR MCDM1-B-37SS
MATERIAL:			P. E.		
FINISH:			M. E.		CODE M
			D. A.		SIZE CODE IDENT NO. DRAWING NO. B 98278 095-9085-3702
			THIS DOCUMENT IS THE PROPERTY OF MICRODOT CONNECTORS, A DIVISION OF UNI-STAR INDUSTRIES INC. USE OF THIS DOCUMENT OR ANY PART THEREOF IS STRICTLY FORBIDDEN WITHOUT THE EXPRESS WRITTEN PERMISSION OF MICRODOT CONNECTORS, A DIVISION OF UNI-STAR INDUSTRIES INC.		SCALE: NONE SHEET 1 OF 1

REVISION					
ZONE	LTR	ECN	DESCRIPTION	DATE	APPROVED
	E	38673	UPDATE MKING & EPOXY NOTES	3/1/99	<i>[Signature]</i>



2-1532024-2

NOTES: UNLESS OTHERWISE SPECIFIED.

- ① NO SCRATCHES SHOWING ON BASE METAL PERMITTED ON SOLDER POTS.
- ② CHAMFER ON SOLDER POTS ARE TO BE PARALLEL WITH SIDES OF INSULATOR WITHIN 10 DEGREES.

UNLESS OTHERWISE SPECIFIED DIMENSIONS ARE IN INCHES. TOLERANCE ARE: FRACTIONS ± 1/8 DECIMALS .XX ± .02 .XXX ± .010 ANGLES ± 2°	APPROVALS		MICRODOT CONNECTORS A DIVISION OF UNI-STAR INDUSTRIES INC. 306 PASADENA AVE., SO. PASADENA, CA 91030	PROD CODE 842	
	SIGNATURE	DATE			METAL SHELL "D" CONNECTOR MCDM1-B-37SS
	DRAWN BY <i>[Signature]</i>	3/1/99			
	P.E.				
MATERIAL:	M.E.		CODE	CD	
FINISH:	THIS DOCUMENT IS THE PROPERTY OF MICRODOT CONNECTORS, A DIVISION OF UNI-STAR INDUSTRIES INC. USE OF THIS DOCUMENT OR ANY PART THEREOF IS STRICTLY FORBIDDEN WITHOUT THE EXPRESS WRITTEN PERMISSION OF MICRODOT CONNECTORS, A DIVISION OF UNI-STAR INDUSTRIES INC.		SIZE	CODE IDENT NO.	DRAWING NO.
			B	98278	095-9085-3702
			SCALE: NONE	09590853702CD	SHEET 1 OF 1