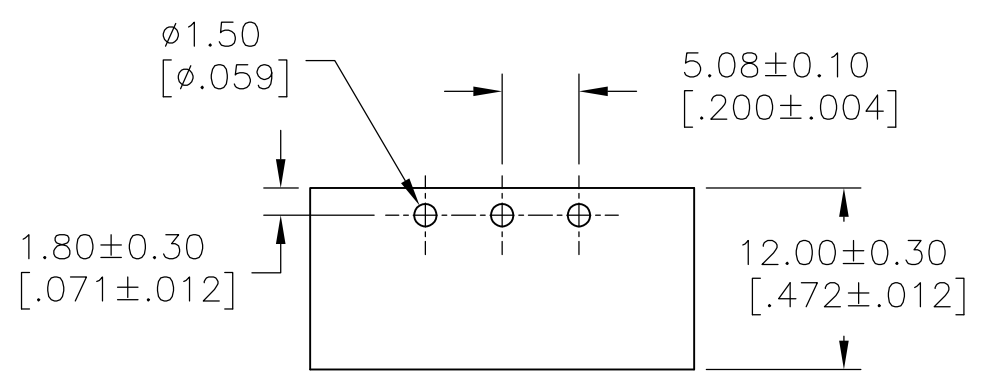


THIS DRAWING IS UNPUBLISHED. RELEASED FOR PUBLICATION
 © COPYRIGHT - By - ALL RIGHTS RESERVED.

LOC	DIST	REVISIONS					
		P	LTR	DESCRIPTION	DATE	DWN	APVD
-	-	1		NEW DRAWING	06JUL12	KH	MS



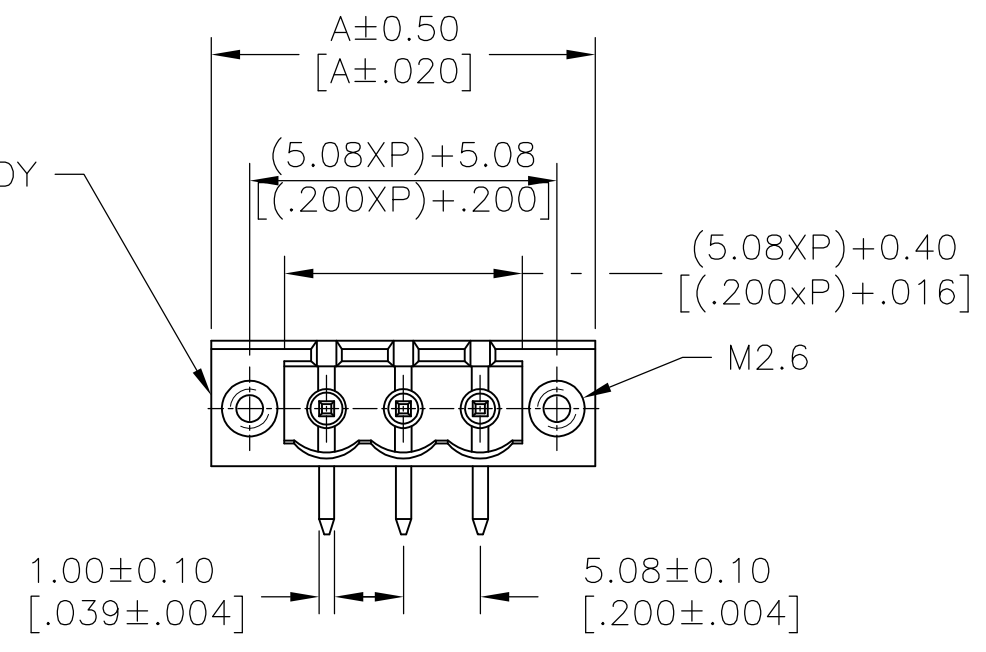
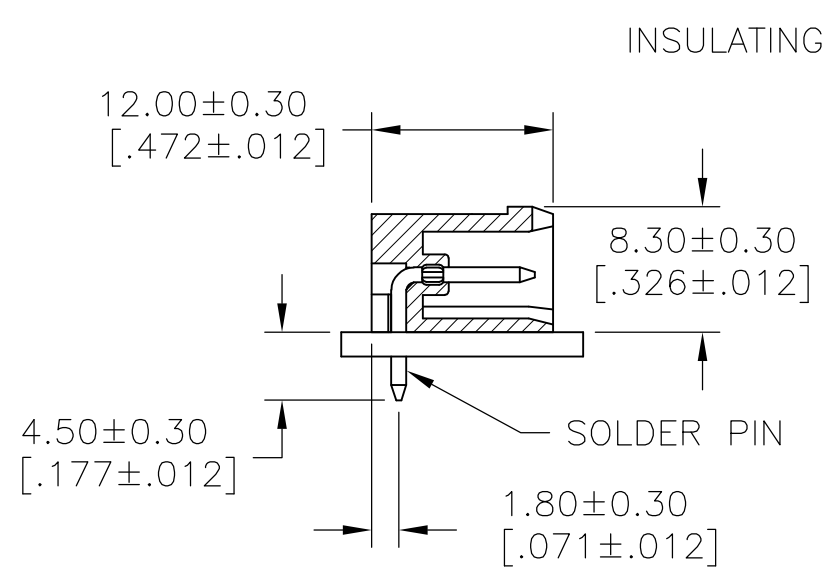
PCB LAYOUT

MATERIALS:
 HOUSING-POLYAMIDE 66 94V-0, COLOR-BLACK
 PIN-COPPER ALLOY-LEAD FREE TIN PLATED

MECHANICAL:
 OPERATING TEMPERATURE-40°C TO +105°C

ELECTRICAL:
 VOLTAGE RATING-300VOLTS AC
 CURRENT RATING-16 AMP
 INSULATION RESISTANCE-2000MegaOhms@500VDC

1 PITCH=5.08[.200]



132.08[5.200]	20	2-1986742-0
101.60[4.118]	18	1-1986742-8
91.44[3.600]	16	1-1986742-6
71.12[2.800]	12	1-1986742-2
40.64[1.600]	6	1986742-6
35.56[1.400]	5	1986742-5
30.48[1.200]	4	1986742-4
25.40[1.000]	3	1986742-3
20.32[.800]	2	1986742-2
DIM A	POLE	PART NUMBER

**PRELIMINARY - NOT RELEASED
 FOR PRODUCTION**

THIS DRAWING IS A CONTROLLED DOCUMENT.		DWN KIRAN HOLAL 06JUL12	TE Connectivity				
DIMENSIONS: mm [INCHES]		CHK SARVER MICHAEL 06JUL12					
TOLERANCES UNLESS OTHERWISE SPECIFIED:		APVD SARVER MICHAEL 06JUL12	NAME				
0 PLC ± - 1 PLC ± 0.5[.020] 2 PLC ± 0.25[.010] 3 PLC ± - 4 PLC ± - ANGLES ± -		PRODUCT SPEC	TERM BLOCK HDR W/FLANGES 5.08				
MATERIAL		FINISH	APPLICATION SPEC	SIZE	CAGE CODE	DRAWING NO	RESTRICTED TO
-		-	-	A3	00779	C-1986742	-
CUSTOMER DRAWING			WEIGHT	SCALE	SHEET	REV	
-			-	2:1	1 OF 1	1	