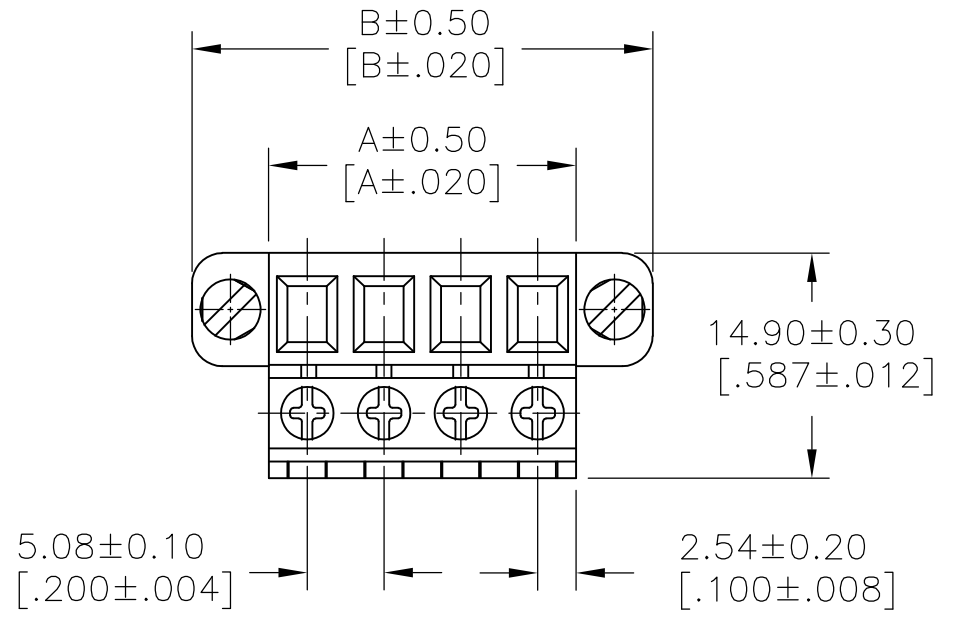


THIS DRAWING IS UNPUBLISHED. RELEASED FOR PUBLICATION  
 © COPYRIGHT - By - ALL RIGHTS RESERVED.

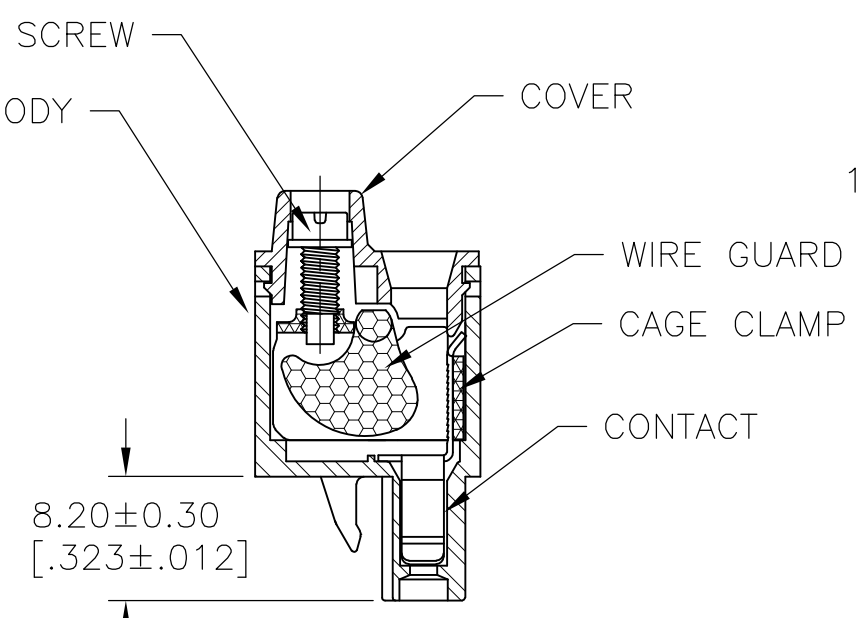
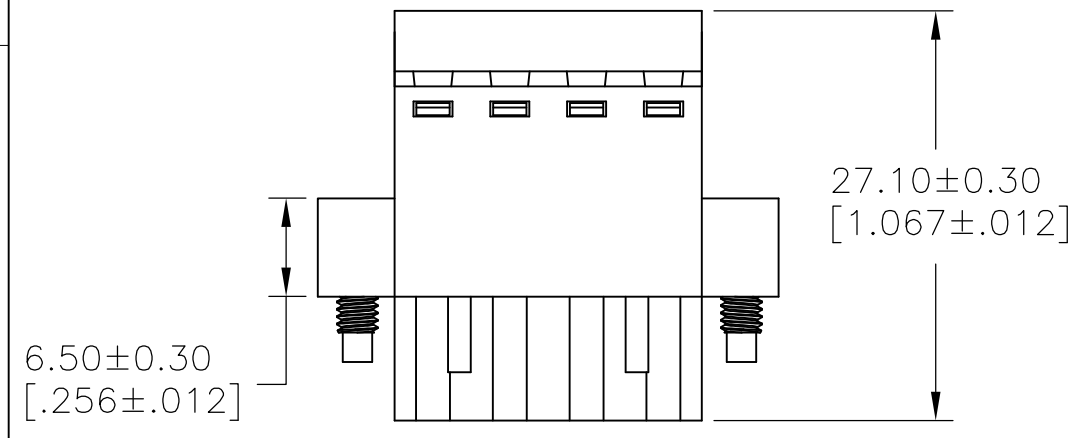
LOC	DIST	REVISIONS					
		P	LTR	DESCRIPTION	DATE	DWN	APVD
-	-	1		NEW DRAWING	06JUL12	KH	MS



**MATERIALS:**  
 HOUSING-POLYAMIDE 66 94V-0, COLOR-BLACK  
 COVER-POLYAMIDE 66 94V-0, COLOR-BLACK  
 LEVER-POLYAMIDE 66 94V-0, COLOR-ORANGE  
 CONTACT-COPPER ALLOY-LEAD FREE TIN PLATED  
 SCREW-M2.6-ZINC PLATED STEEL  
 WIRE GUARD-ZINC PLATED STEEL  
 CAGE CLAMP-ZINC PLATED STEEL

**MECHANICAL:**  
 STRIPPING LENGTH-10MM  
 OPERATING TEMPERATURE-40°C TO +105°C  
 SCREW TORQUE-4.5In-Lb

**ELECTRICAL:**  
 WIRE SIZE=12 TO 24 AWG SOLID OR STRANDED  
 VOLTAGE RATING-300VOLTS AC  
 CURRENT RATING-16 AMP  
 INSULATION RESISTANCE-2000MegaOhms@500VDC



1 PITCH=5.08[.200]

DIM B	DIM A	POLE	PART NUMBER
111.76[4.400]	121.92[4.800]	20	2-1986741-0
101.60[4.000]	91.44[3.600]	18	1-1986741-8
91.44[3.600]	81.28[3.200]	16	1-1986741-6
71.12[2.800]	60.96[2.400]	12	1-1986741-2
40.64[1.600]	30.48[1.200]	6	1986741-6
35.56[1.400]	25.40[1.000]	5	1986741-5
30.48[1.200]	20.32[.800]	4	1986741-4
25.40[1.000]	15.24[.600]	3	1986741-3
20.32[.800]	10.16[.400]	2	1986741-2

**PRELIMINARY - NOT RELEASED FOR PRODUCTION**

THIS DRAWING IS A CONTROLLED DOCUMENT.		DWN KIRAN HOLAL 06JUL12	<b>STE</b> TE Connectivity			
DIMENSIONS: mm [INCHES]		CHK SARVER MICHAEL 06JUL12				
TOLERANCES UNLESS OTHERWISE SPECIFIED:		APVD SARVER MICHAEL 06JUL12	NAME			
0 PLC ± - 1 PLC ± 0.5[.020] 2 PLC ± 0.25[.010] 3 PLC ± - 4 PLC ± - ANGLES ± -		PRODUCT SPEC	TERM BLOCK PLUG W/FLANGE 5.08 C/L			
MATERIAL		APPLICATION SPEC	SIZE	CAGE CODE	DRAWING NO	RESTRICTED TO
FINISH		WEIGHT	A3	00779	C-1986741	-
CUSTOMER DRAWING			SCALE	SHEET	REV	
			2:1	1 OF 1	1	