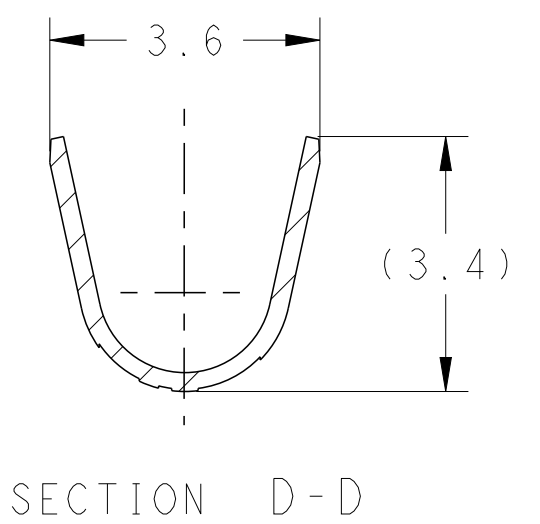
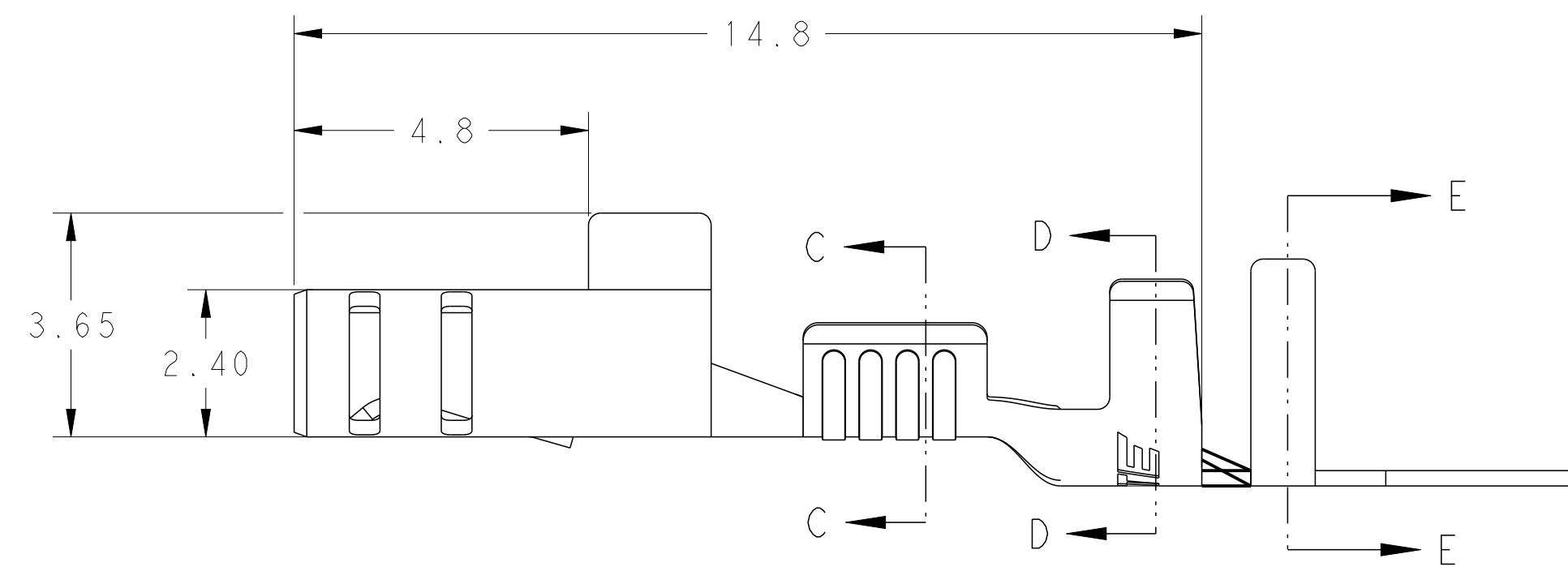
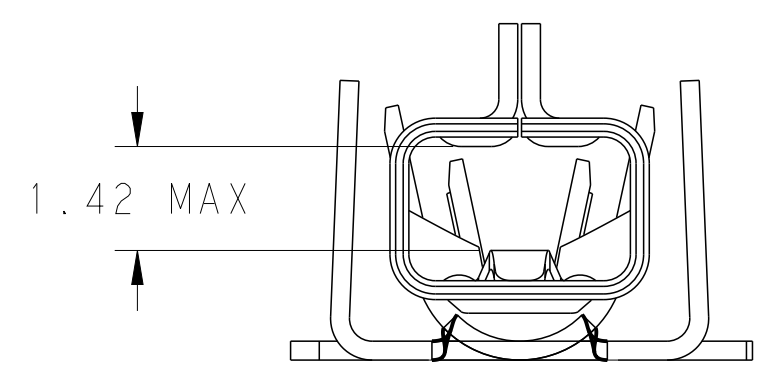
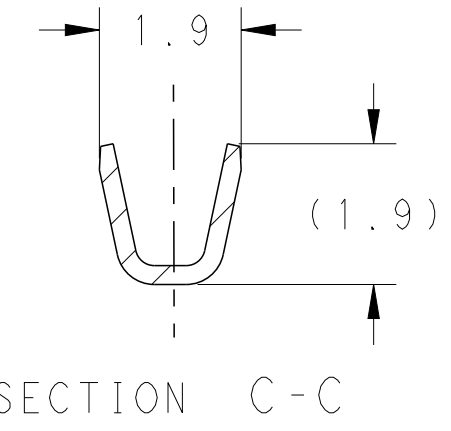
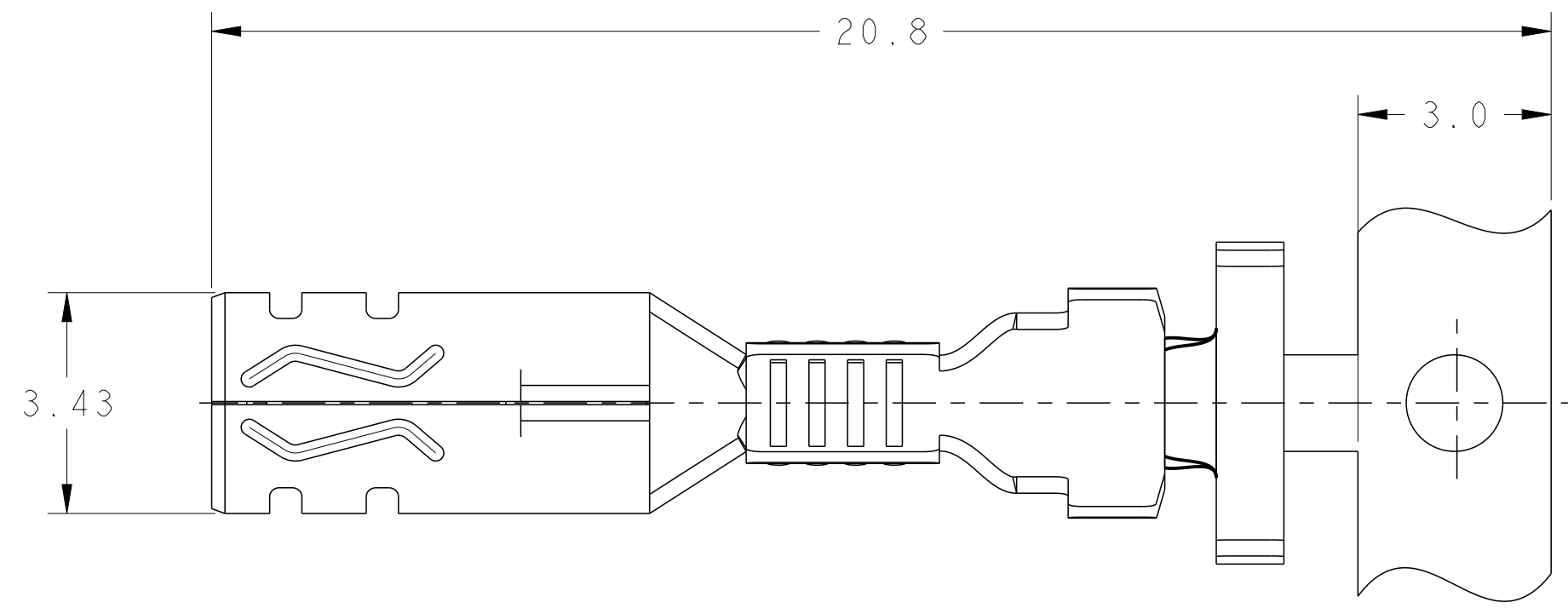
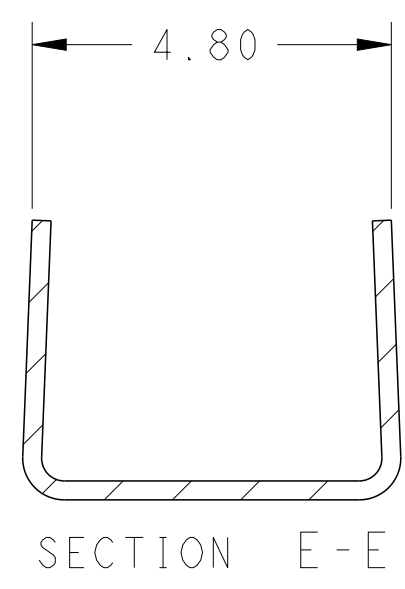


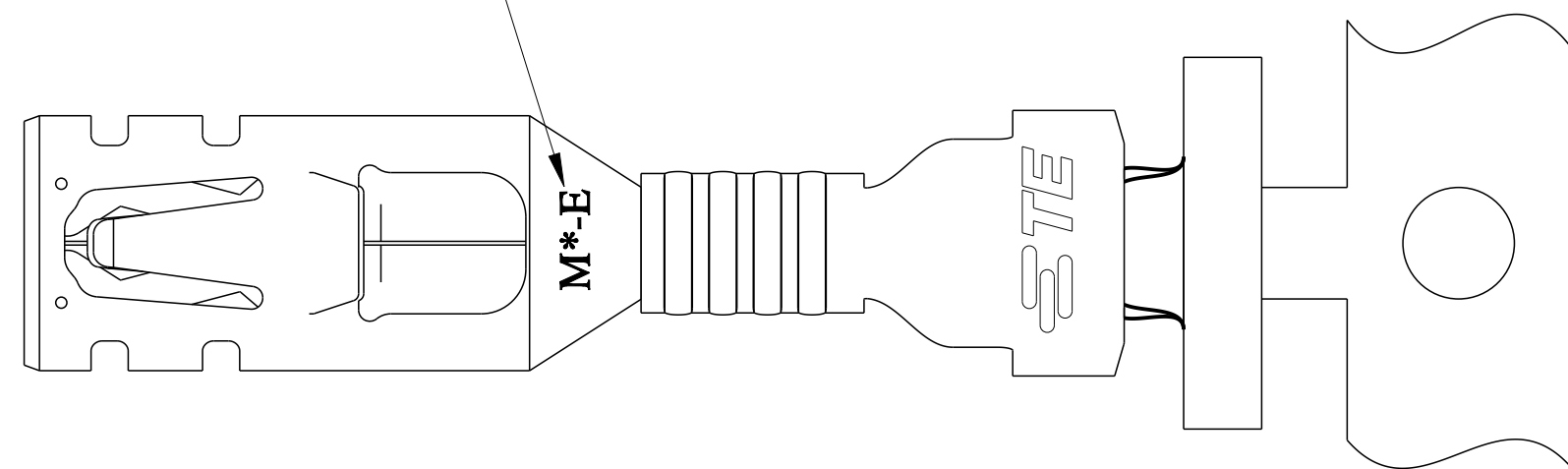
THIS DRAWING IS UNPUBLISHED. RELEASED FOR PUBLICATION 20
 © COPYRIGHT 20 BY - ALL RIGHTS RESERVED.

LOC ES DIST 00

REVISIONS				
P	LTR	DESCRIPTION	DATE	APVD
F		REVISED PER ECR-21-100678	08APR2021	SS VS
G		REVISED PER ECR-23-182543	27JUL2023	SKR DS



4 MATERIAL/SIZE MARK



- RECOMMENDED WIRE RANGE: 20-24 AWG COPPER STRANDED(375-1200 CMA)
- RECOMMENDED INSULATION DIAMETER: 1.43-2.70mm. INSULATION < 1.76mm REQUIRES AN APPLICATOR WITH AN OVERLAP INSULATION CRIMPER.
- APPLICABLE MATED PLUG HOUSING P/N:
 -1971773-/*-1971776-*/*-1971876-*/
 -2232265-/*-2232266-*/*-2232357-*

4 WIRE SIZE INDICATOR "E"=20-24 AWG

COPPER ALLOY	HIGH(150°C)	M0-E	1971785-2
PHOS BRONZE	STANDARD(105°C)	M1-E	1971785-1
MATERIAL	TEMP. RATING	4 MATERIAL/SIZE MARK	PART NO

THIS DRAWING IS A CONTROLLED DOCUMENT.

DIMENSIONS: mm	TOLERANCES UNLESS OTHERWISE SPECIFIED:	DWN TOMMY WU 11JUL2012	 TE Connectivity RECEPTACLE CONTACT POWER TRIPLE LOCK
	0 PLC ±	CHK HAPYE WU 11JUL2012	
	1 PLC ±0.5	APVD YUHONG MAO 11JUL2012	
	2 PLC ±0.30	PRODUCT SPEC 108-106118	
MATERIAL SEE TABLE	3 PLC ±	APPLICATION SPEC 114-106118	RESTRICTED TO
	4 PLC ±	WEIGHT -	SIZE A2
	ANGLES ±	Customer Drawing	CAGE CODE 00779
	FINISH PRE-TIN	Customer Drawing	DRAWING NO 1971785
		SCALE 6:1	SHEET 1 OF 1
			REV G