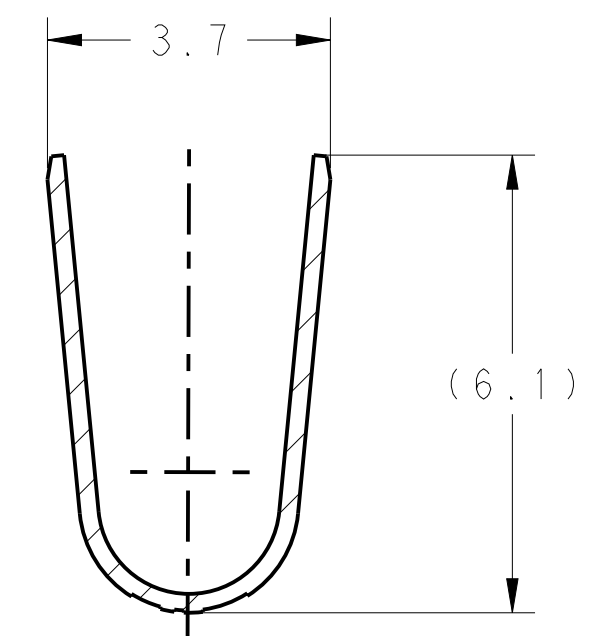
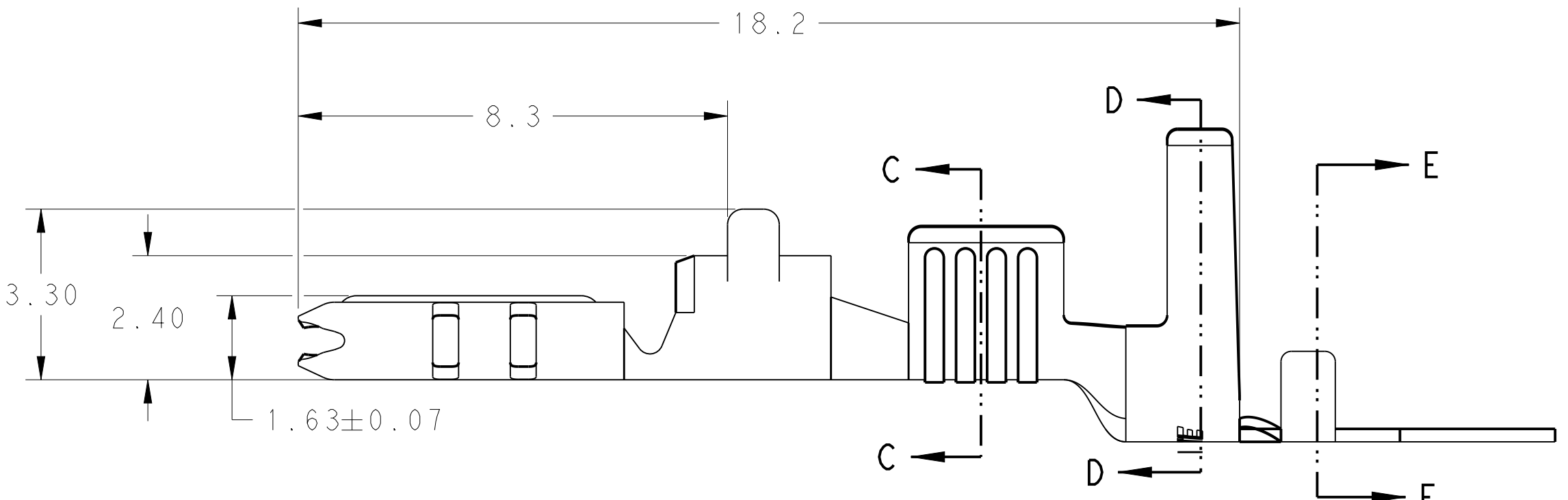
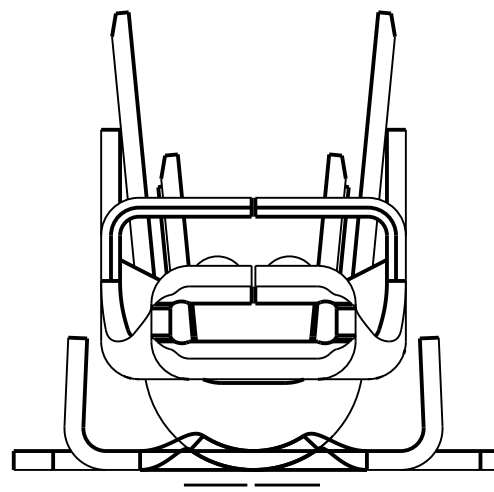
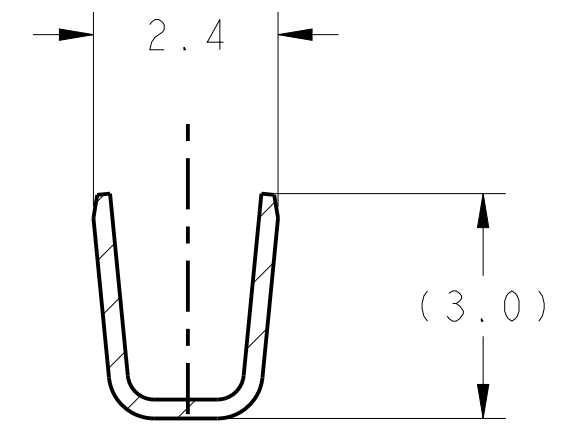
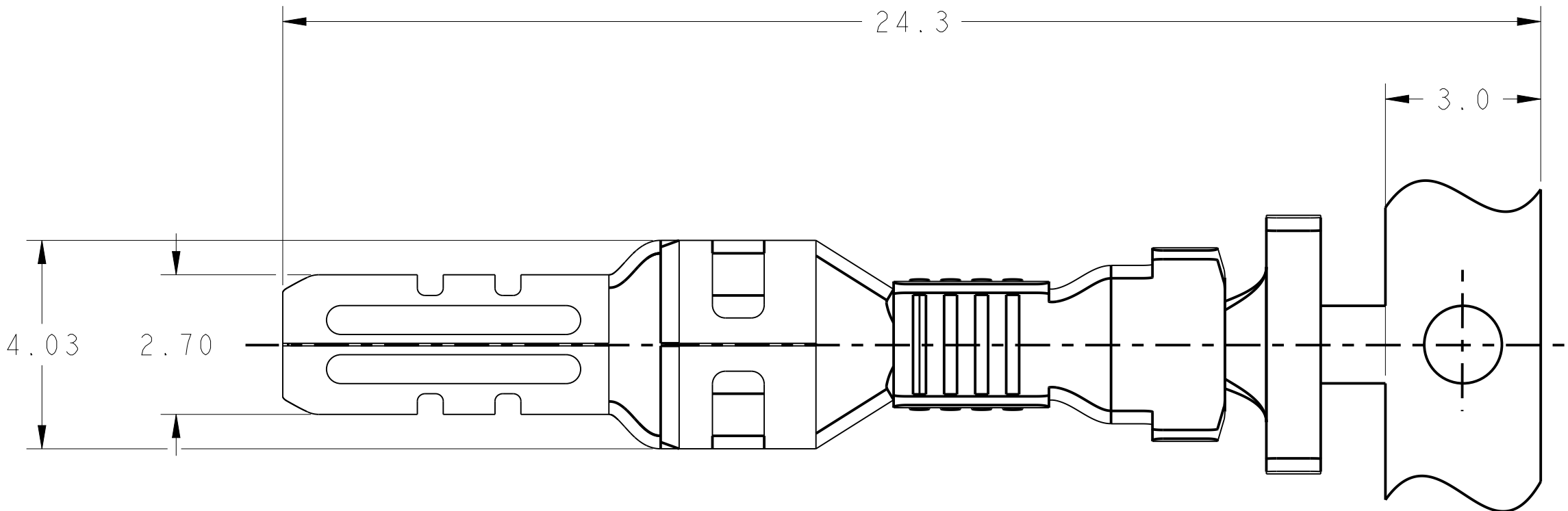
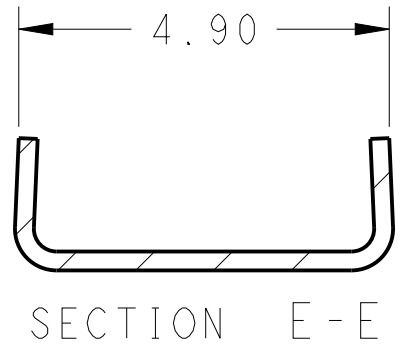
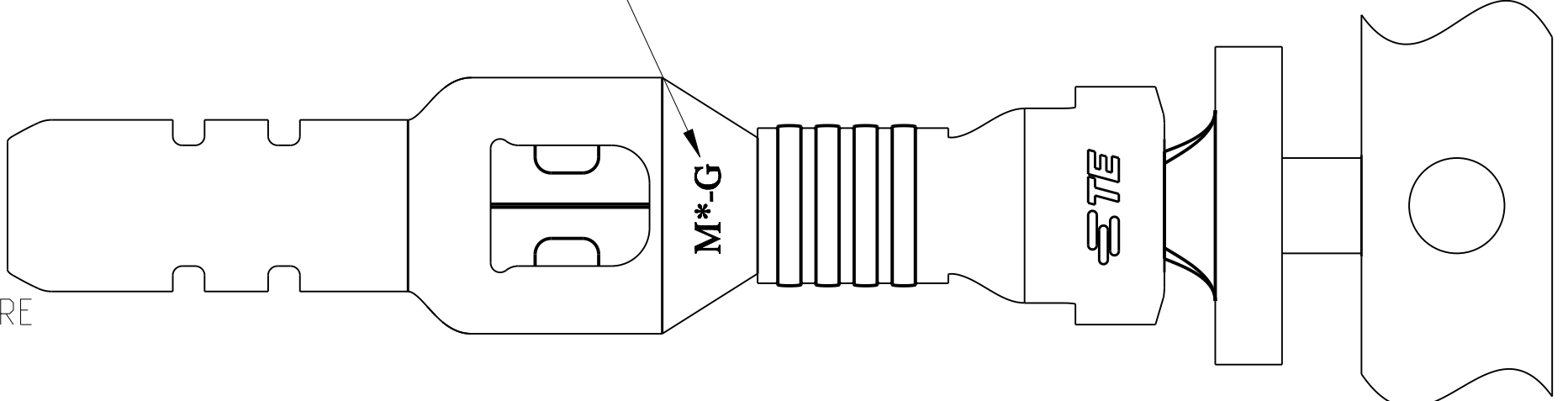


THIS DRAWING IS UNPUBLISHED. RELEASED FOR PUBLICATION 20  
 © COPYRIGHT 20 BY - ALL RIGHTS RESERVED.

| LOC | DIST | REVISIONS |     |                           |           |     |      |
|-----|------|-----------|-----|---------------------------|-----------|-----|------|
| ES  | 00   | P         | LTR | DESCRIPTION               | DATE      | DWN | APVD |
|     |      | E         |     | REVISED PER ECR-21-100678 | 08APR2021 | SS  | VS   |



5 MATERIAL/SIZE MARK



- 1 MATERIAL: COPPER ALLOY, PRE TIN PLATING
- 2 RECOMMENDED WIRE RANGE: 2x20 AWG, 1x18+1x22 AWG (TOTAL CMA 2000 ~ 2620) COPPER STRANDED
- 3 APPLICABLE INSULATION DIAMETER: 2.2 ~ 2.8 mm EACH WIRE
- 4 APPLICABLE MATED CAP HOUSING P/N:  
 \*-1971772-\*/\*-1971775-\*/\*-1971875-\*/  
 \*-2232263-\*/\*-2232264-\*/\*-2232356-\*

5 WIRE SIZE INDICATOR "G"=2x20 AWG, 1x18+1x22 AWG

SUPERSEDED BY 1971238-2

|                 |                        |           |
|-----------------|------------------------|-----------|
| HIGH(150°C)     | M0-G                   | 1971238-2 |
| STANDARD(105°C) | M4                     | 1971238-1 |
| TEMP. RATING    | MATERIAL / SIZE MARK/5 | PART NO   |

|  |  |                                 |  |                       |
|--|--|---------------------------------|--|-----------------------|
| THIS DRAWING IS A CONTROLLED DOCUMENT. |  | DWN<br>TOMMY WU<br>9AUG2012     | TE Connectivity                          |                       |
| DIMENSIONS:<br>mm                      |  | CHK<br>HAPYE WU<br>9AUG2012     |  |                       |
| TOLERANCES UNLESS OTHERWISE SPECIFIED: |  | APVD<br>YUJHONG MAO<br>9AUG2012 | NAME<br>TAB CONTACT<br>POWER TRIPLE LOCK |                       |
| 0 PLC ±0.5                             |  | PRODUCT SPEC<br>108-106118      | SIZE<br>A2                               |                       |
| 1 PLC ±0.5                             |  | APPLICATION SPEC<br>114-106118  | CAGE CODE<br>00779                       | DRAWING NO<br>1971238 |
| 2 PLC ±0.30                            |  | WEIGHT<br>-                     | RESTRICTED TO<br>-                       |                       |
| 3 PLC ±0.30                            |  | MATERIAL<br>-                   | SCALE<br>5:1                             |                       |
| 4 PLC ±                                |  | Customer Drawing                | SHEET 1 OF 1                             |                       |
| ANGLES ±                               |  |                                 | REV E                                    |                       |
| FINISH                                 |  |                                 |  |                       |