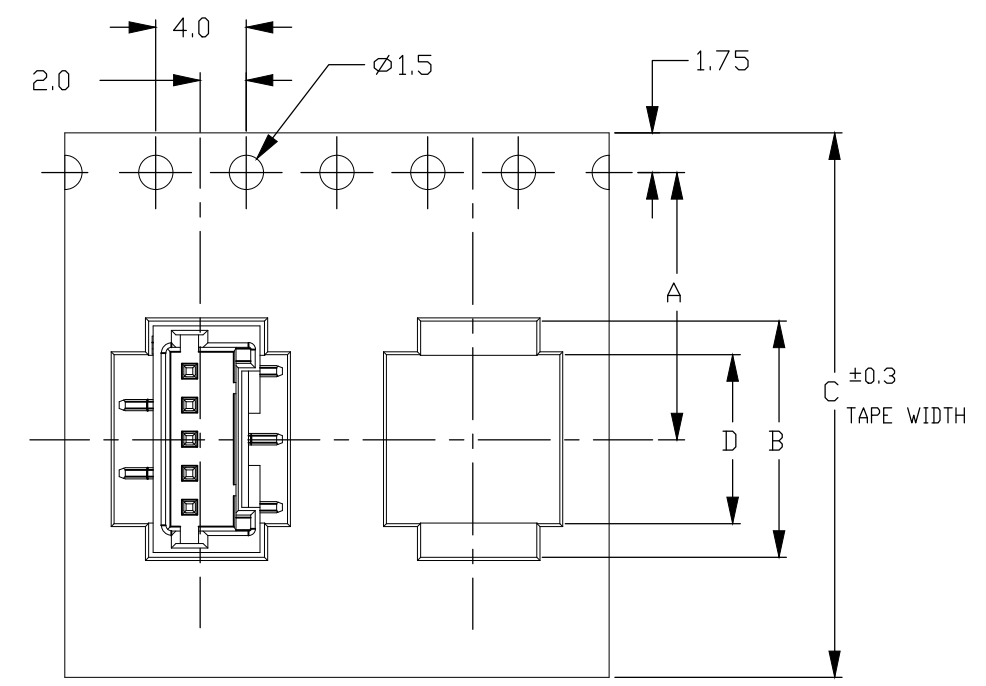


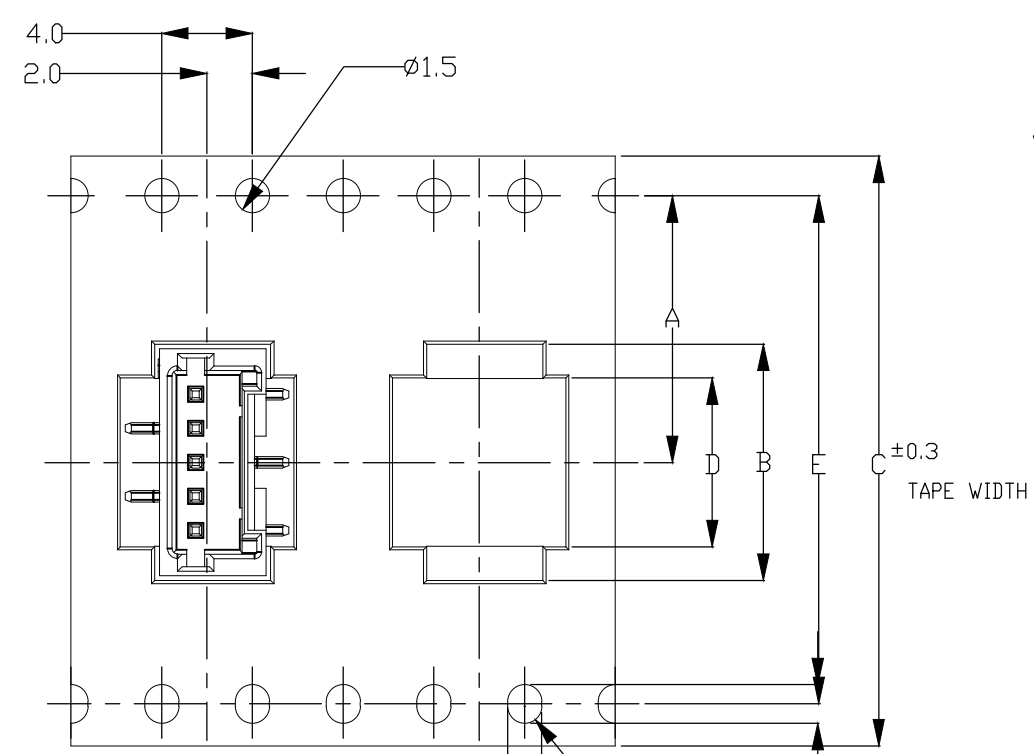
THIS DRAWING IS UNPUBLISHED. RELEASED FOR PUBLICATION
 © COPYRIGHT - TE Connectivity ALL RIGHTS RESERVED.

REVISIONS					
P	LTR	DESCRIPTION	DATE	DWN	APVD
	A3	REVISED ECR-19-019743	02JUN2020	J.J	W.H

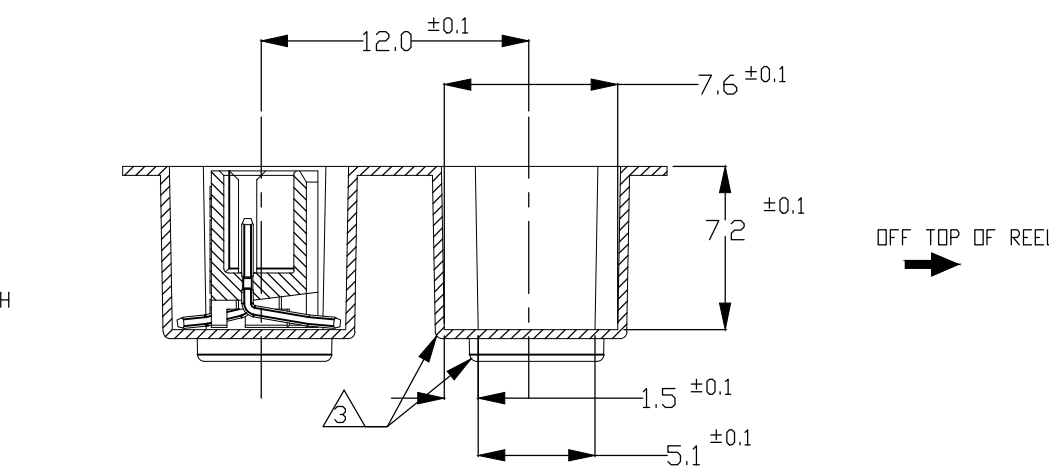
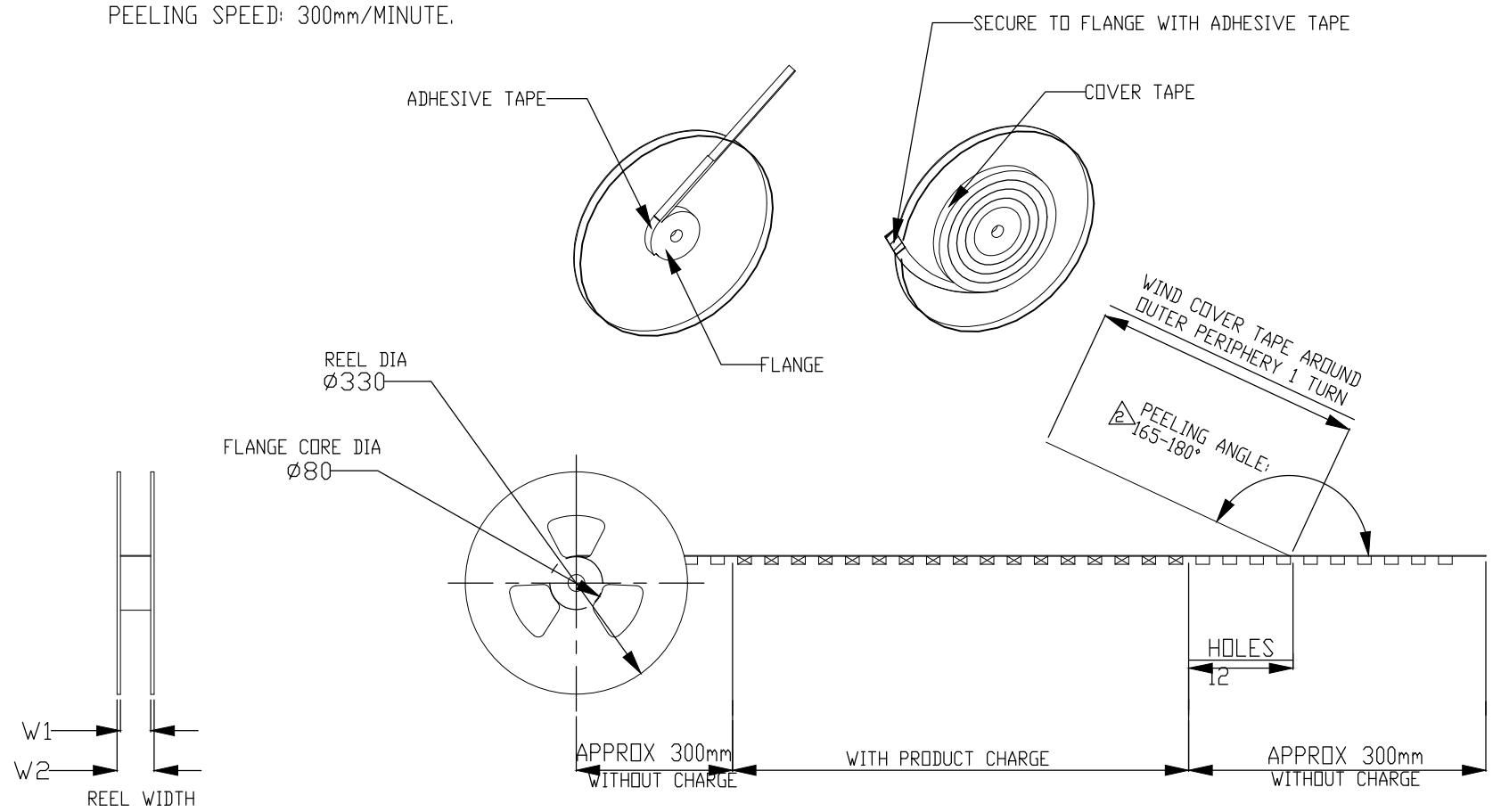
NOTE:
 △ PEELING STRENGTH: 0.20-0.69N (20-70gf)
 PEELING ANGLE: 165-180°
 PEELING SPEED: 300mm/MINUTE.



TYPE 1



TYPE 2



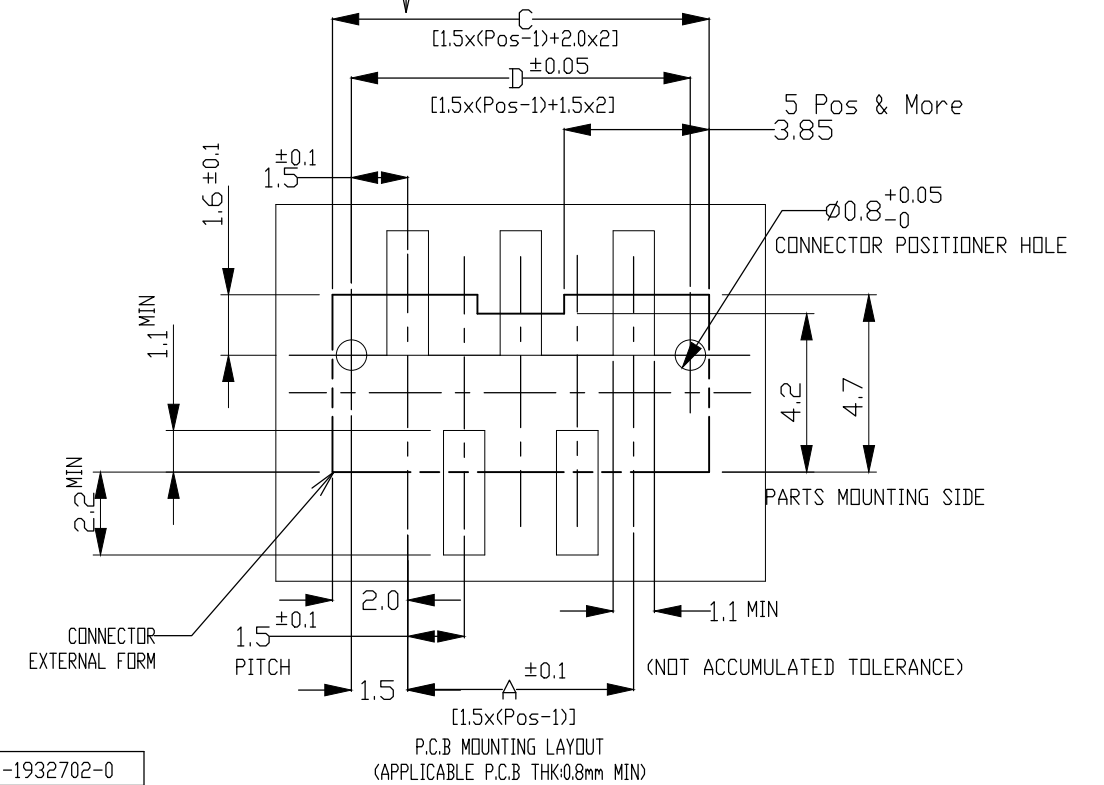
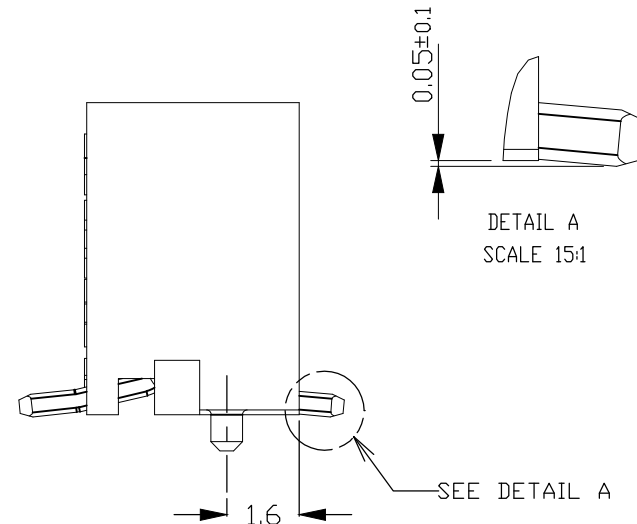
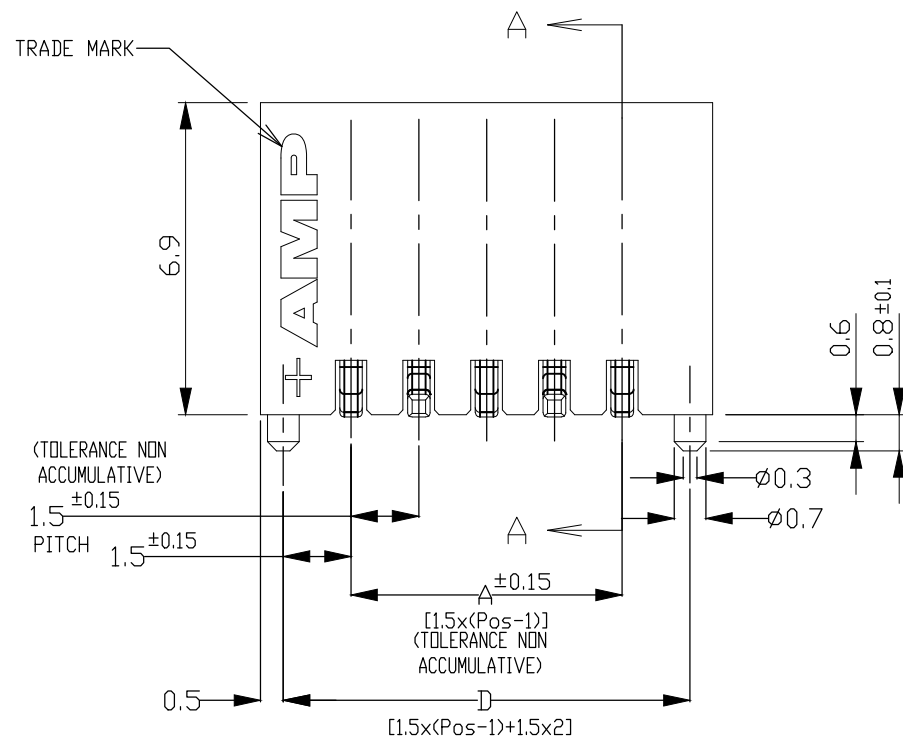
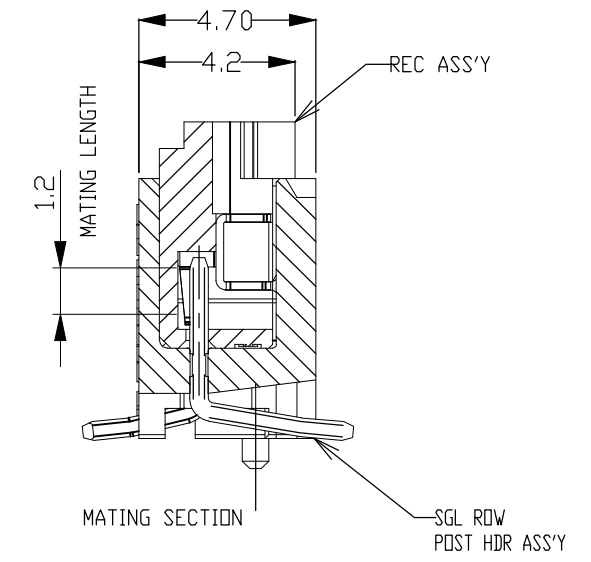
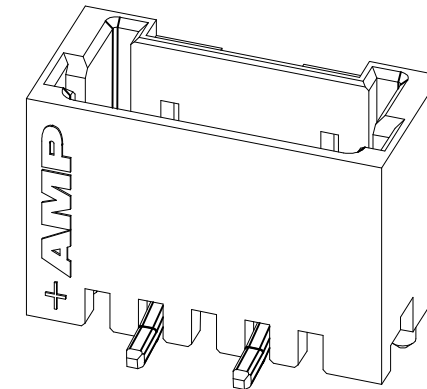
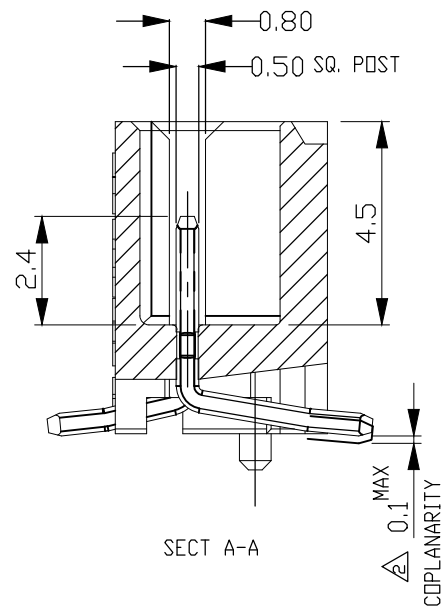
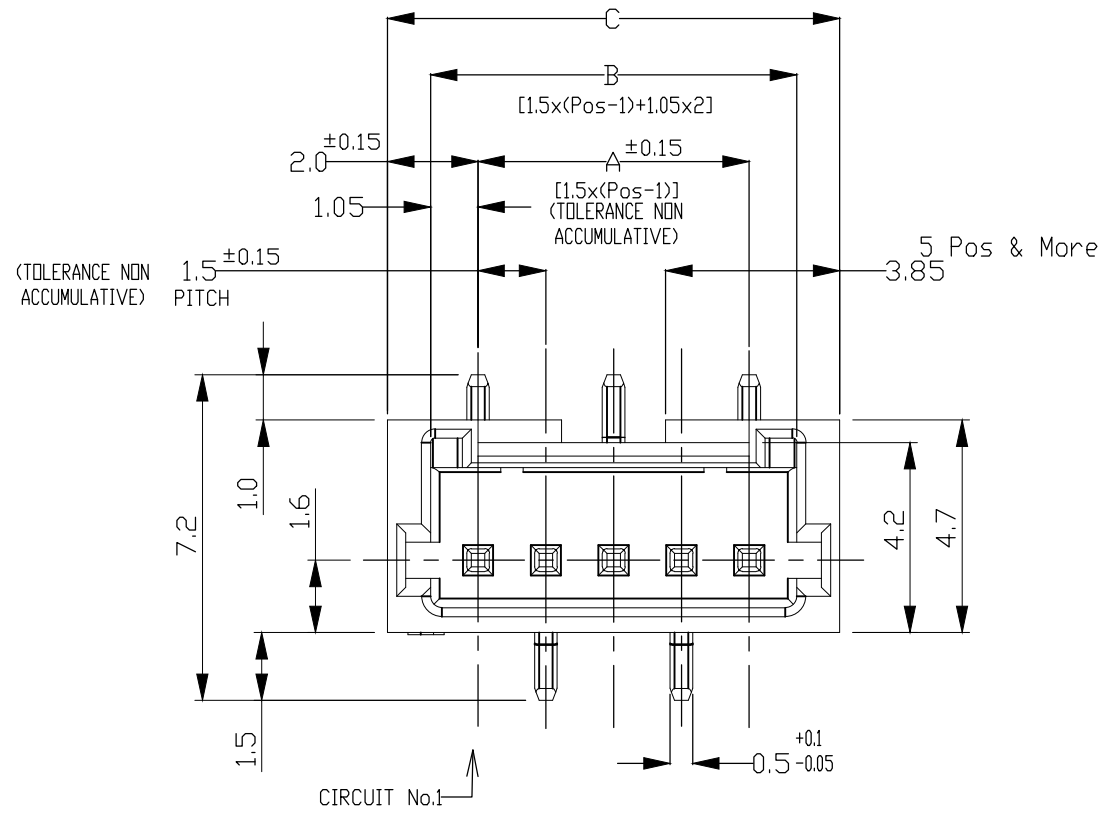
OBSOLETE	TYPE	DIMENSIONS								QTY/ REEL	POS	COLOR	ON TAPE P/N
		W2	W1	E	D	C	B	A					
	TYPE 2	37.5	33.5	28.4	14.9	32	17.9	14.2	500	10	BEIGE	1-1932702-0	
	TYPE 1	29.5	25.5	-	11.9	24	14.9	11.5	500	8	BEIGE	1932702-8	

THIS DRAWING IS A CONTROLLED DOCUMENT.

DIMENSIONS:	TOLERANCES UNLESS OTHERWISE SPECIFIED:
mm	
0 PLC	± -
1 PLC	± -
2 PLC	± 0.15
3 PLC	± -
4 PLC	± -
ANGLES	± -
MATERIAL	FINISH

DWN	C.ZHU	04JUN2010	STE TE Connectivity		
CHK	S.YAO	04JUN2010			
APVD	S.YAO	04JUN2010			
PRODUCT SPEC	NAME				
APPLICATION SPEC	SGL ROW HDR ASSY (V) SMT TYPE W BOSS FOR Mini CT CONNECTOR (GOLD PLATED)				
WEIGHT	0	SIZE	CAGE CODE	DRAWING NO	RESTRICTED TO
CUSTOMER DRAWING	A3	00779	C=1932702		
SCALE	NON	SHEET	1 OF 2	REV	A3

P	LTR	DESCRIPTION	DATE	DWN	APVD
-	-	SEE SHEET 1	-	-	-

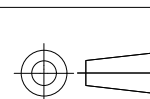


TYPE	16.5	17.5	15.6	13.5	10	COLOR	P/N
TYPE 2	16.5	17.5	15.6	13.5	10	BEIGE	1-1932702-0
TYPE 1	13.5	14.5	12.6	10.5	8	BEIGE	1932702-8
WEIGHT (g)	D	C	B	A	POS	COLOR	ON TAPE P/N
DIMENSIONS							

THIS DRAWING IS A CONTROLLED DOCUMENT.

DIMENSIONS: mm

TOLERANCES UNLESS OTHERWISE SPECIFIED:



0 PLC	± -
1 PLC	± -
2 PLC	± 0.15
3 PLC	± -
4 PLC	± -
ANGLES	± -

MATERIAL

FINISH

DWN	C.ZHU	04JUN2010
CHK	S.YAO	04JUN2010
APVD	S.YAO	04JUN2010
PRODUCT SPEC	-	-
APPLICATION SPEC	-	-
WEIGHT	-	-
CUSTOMER DRAWING		



SGL ROW HDR ASSY (V) SMT TYPE W BOSS FOR Mini CT CONNECTOR (GOLD PLATED)

SIZE	CAGE CODE	DRAWING NO	RESTRICTED TO
A3	00779	1932702	-
SCALE		SHEET	REV
NON		2 of 2	A3

NOTES:
 1. MATERIAL:
 HOUSING: GLASS FILLED, HIGH HEAT RESISTANT NYLON, UL94V-0, COLOR: BEIGE OR BLACK
 POST: Sn-100% BRASS WIRE
 TO BE MEASURED WITH CONNECTOR PLACED ON HORIZONTAL DATUM SURFACE,
 FLOAT OF SOLDER TINE FROM DATUM SURFACE IS 0.1mm MAX.