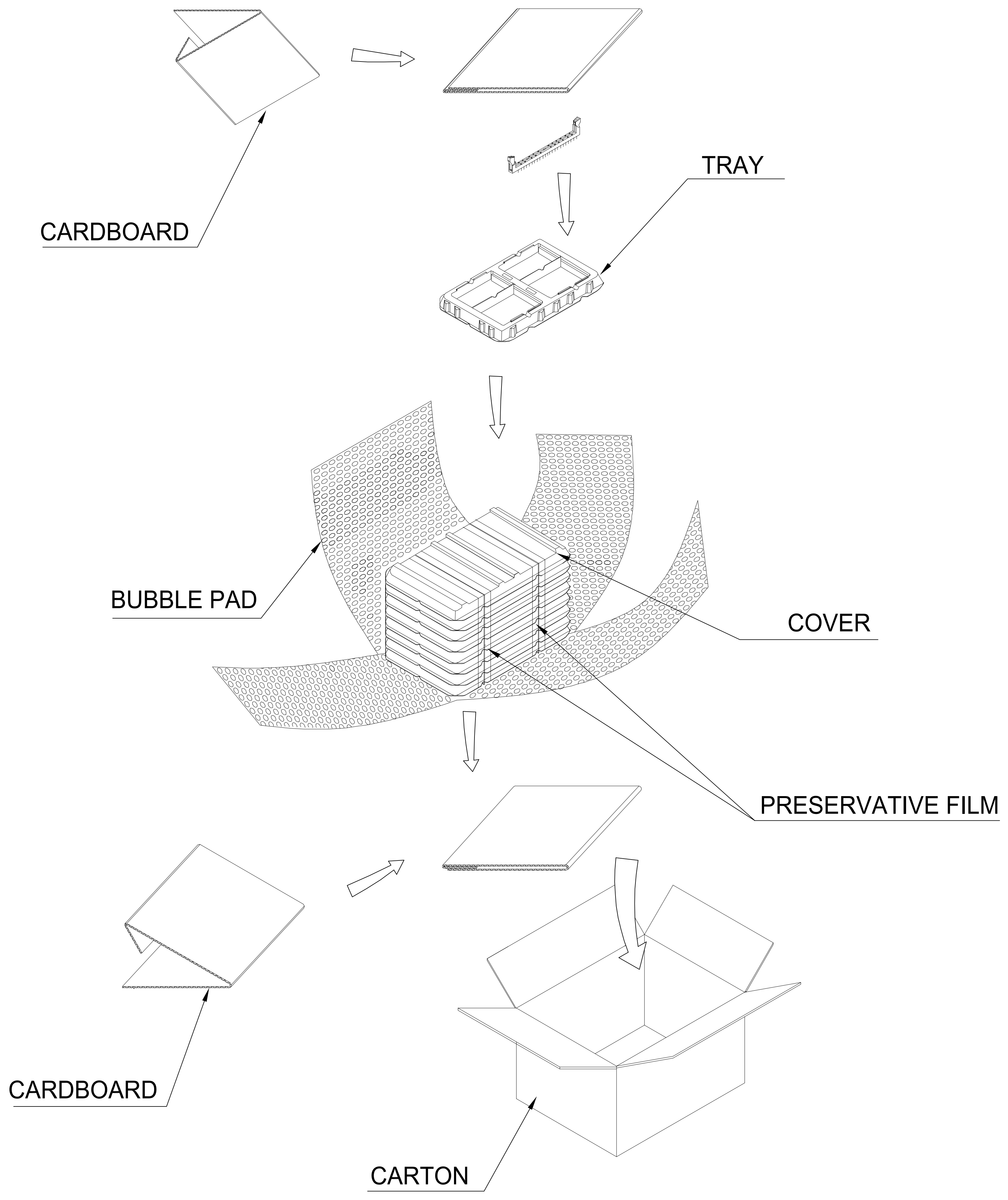


- MATERIALS:**
 HOUSING: HIGH TEMPERATURE NYLON, UL94 V-0
 EXTRACTOR: HIGH TEMPERATURE THERMOPLASTIC
 CONTACTS: COPPER ALLOY
 RETENTION BARB: BRASS, TIN PLATED
- INTERFACE FINISH:**
 (1) GOLD FLASH OVER 0.00127 MIN THK NICKEL.
 (2) 0.00076 MIN THK GOLD OVER 0.00127 MIN THK NICKEL.
 (3) 0.00051 MIN THK GOLD OVER 0.00229 MIN THK NICKEL. **D**
- FINISHED HOLE SIZE:** 0.15 MAXIMUM ANNULAR RING.
KEEP OUT ZONE.
 KEEP OUT AREA RESERVED FOR SOCKET EXTRACTORS, BOTH ENDS.
SOLDER TAIL FINISH:
 0.00254 MIN THK MATTE TIN OVER 0.00127 MIN THK NICKEL.
LED LOCATION AS APPLICABLE PER CUSTOMER.
DATUM -G- IS CONNECTOR SIDE SURFACE OF PCB.
DATE CODE LOCATED APPROX AS SHOWN FRONT OR BACK SIDE OF CONNECTOR.

D D D	RETENTION BARB	GREEN(375C)	BLACK	90u" MIN.	20u" MIN.	2.67	2-1932604-3
		NATURAL	BLACK			2.67	2-1932604-2
		BLACK	BLACK			2.67	2-1932604-1
		BLACK	BLACK	50u" MIN.	30u" MIN.	2.67	3-1932604-2
		NATURAL	BLACK			2.67	3-1932604-1
		BLUE(293C)	BLUE(293C)			2.67	1932604-5
		BLACK	BLACK	GOLD FLASH	2.67	1932604-4	
		NATURAL	DRANGE(021C)		2.67	1932604-3	
		BLACK	BLUE(287C)		2.67	1932604-2	
		NATURAL	BLACK		2.67	1932604-1	
	HOUSING STYLE	EXTRACTOR COLOR	HOUSING COLOR	CONTACT NICKEL INTERFACE	CONTACT GOLD INTERFACE	TAIL LENGTH	PART NUMBER

THIS DRAWING IS A CONTROLLED DOCUMENT.

DIMENSIONS: mm	TOLERANCES UNLESS OTHERWISE SPECIFIED:	0 PLC ± -	1 PLC ± 0.2	2 PLC ± 0.10	3 PLC ± -	4 PLC ± -	ANGLES ± -
MATERIAL	FINISH	STE		TE Connectivity		SOCKET ASSEMBLY, VERTICAL DIMM, SOLDER TAIL, 240 POSITION	
APPROVED: COREL WANG		APPROVED: STEVEN YAO		DATE: 22JUL2010	DATE: 22JUL2010	NAME: SIMON WU	NAME: COREL WANG
APPLICATION SPEC: 108-115010		APPLICATION SPEC: 501-115011		SIZE: A1	SCALE: 4:1	DRAWING NO: 00779	REV: 1
CUSTOMER DRAWING		WEIGHT: 8.5		RESTRICTED TO: -		SHEET 1 OF 3	



- NOTES :
- PACKING MATERIAL MET TE SPEC TEC-138-702.
 - * CADMIUM AND CADMIUM COMPOUNDS CONTENT: 5 PPM UNDER (PLASTIC, RUBBER, INK, PIGMENT, PAINT)
 - * LEAD, CADMIUM, CHROM VI AND MERCURY IN PACKAGING MATERIALS CONTENT: 100 PPM (COMBINED) UNDER.
 - MATERIAL :
 - TRAY: PVC, COLOR: TRANSPARENT.
 - CARTON: CORRUGATED FIBER 380mm(L)X 377mm(W)X 355mm(H)
 - COVER: PVC, COLOR: TRANSPARENT
 - PRESERVATIVE FILM: PE, COLOR: TRANSPARENT.
 - BUBBLE PAD: PE, COLOR: TRANSPARENT.
 - EACH BAG SHALL BE INCLUDED:
 - * DESICCANT

©	10.2 KG	6.8 KG	80	10	800
	GROSS WEIGHT	NET WEIGHT	PCS/TRAY	TRAY/BOX	PCS/BOX

THIS DRAWING IS A CONTROLLED DOCUMENT.		DN: SIMON WU 22JUL2010	TE Connectivity	
		CHK: COREL WANG 22JUL2010		
DIMENSIONS: mm		APVD: STEVEN YAO 22JUL2010		NAME: SOCKET ASSEMBLY, VERTICAL DIMM, SOLDER TAIL, 240 POSITION
0. PLC ± - 1. PLC ± 0.2 2. PLC ± 0.10 3. PLC ± - 4. PLC ± - ANGLES ± -		APPLICATION SPEC		SIZE: A1
MATERIAL: -		WEIGHT: -		CAGE CODE: 00779
		CUSTOMER DRAWING		DRAWING NO: 1932604
		SCALE: N/A		SHEET: 3 OF 3
				REV: D1