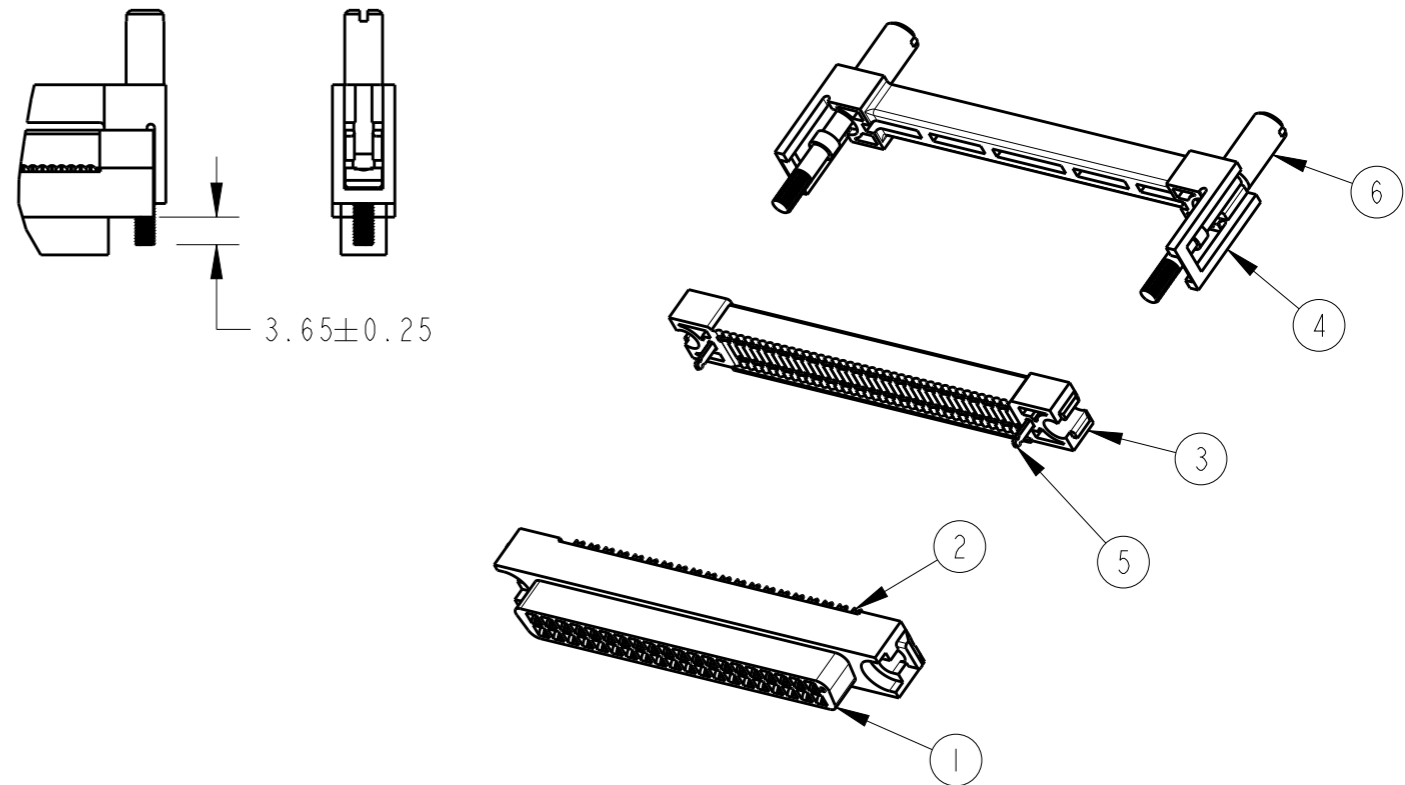
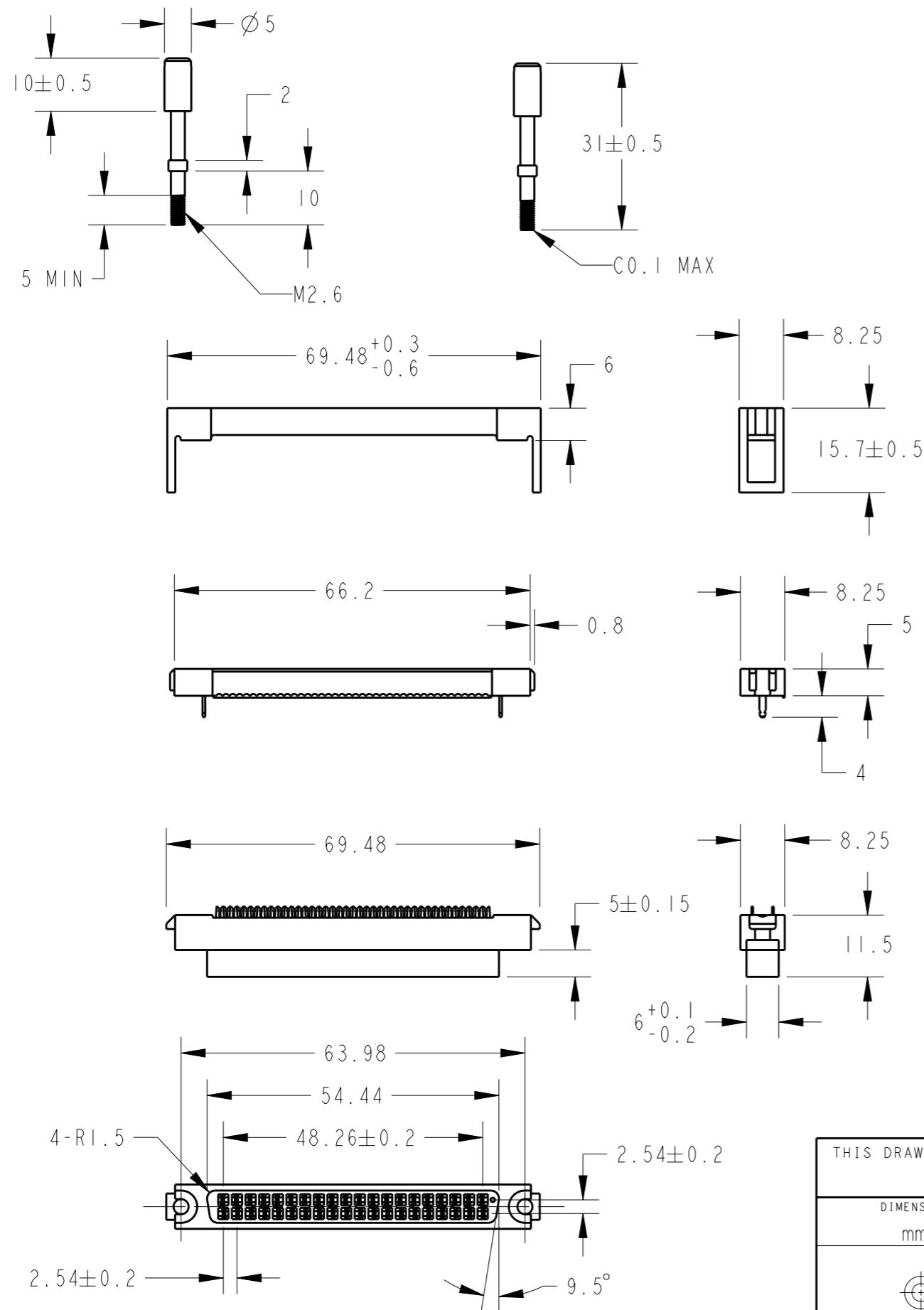


THIS DRAWING IS UNPUBLISHED. RELEASED FOR PUBLICATION 2006
 © COPYRIGHT 2006 BY - ALL RIGHTS RESERVED.

REVISIONS


P	LTR	DESCRIPTION	DATE	DWN	APVD
C		ECR-16-006751	07SEP2016	T.S	N.Y
D		REVISED PER ECR-18-002603	22FEB2018	TS	EI
E		REVISED	14DEC2018	H.O	E.I

-1; AS SHOWN



PACKAGING INFORMATION:
 1903404-1: INDIVIDUAL PACKAGING
 1903404-2: BULK PACKAGING

黄銅 Niめっき / BRASS Ni PLT.	スクリュウ / SCREW	6
ステンレス鋼 / STAINLESS STEEL	ピン / PIN	5
PC樹脂 / PC RESIN	ストレイン リリーフ / STRAIN RELIEF	4
PBT樹脂 / PBT RESIN	カバー / COVER	3
リン青銅 Niめっき全面、接点部Auめっき、ターミナル部Snめっき。 PHOS-BRO Ni PLT. ALL OVER, CONTACT AREA Au. TERMINAL AREA Sn.	リセ コンタクト / REC CONTACT	2
PBT樹脂 / PBT RESIN	リセ ハウジング / REC HOUSING	1
材料 / MATERIAL	名称 / NAME	アイテム番号 ITEM NO.

THIS DRAWING IS A CONTROLLED DOCUMENT.		DWN Y. KATO 13FEB2006	 TE Connectivity	
DIMENSIONS: mm		CHK J. AKASAKA 13FEB2006		
TOLERANCES UNLESS OTHERWISE SPECIFIED: ±0.3		APVD D. MITSUGI 13FEB2006	NAME 40P MT REC ASSY KIT PC I/O CONN.	
0 PLC ± 1 PLC ±0.1 2 PLC ±0.01 3 PLC ±0.001 4 PLC ±0.0001 ANGLES ±5		PRODUCT SPEC 108-5542	SIZE A3	
MATERIAL SEE TABLE		APPLICATION SPEC -	CAGE CODE 00779	DRAWING NO C-1903404
FINISH SEE TABLE		WEIGHT 19 g	RESTRICTED TO -	
CUSTOMER DRAWING		SCALE 1:1		SHEET 1 OF 1
				REV E