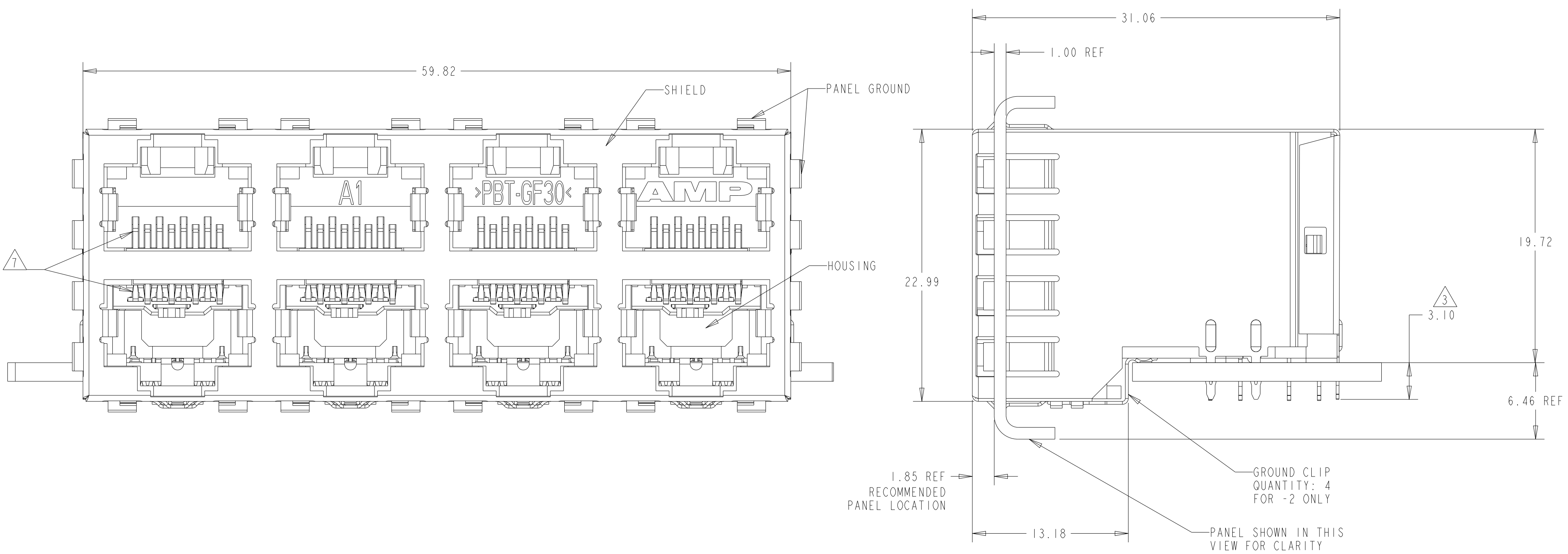
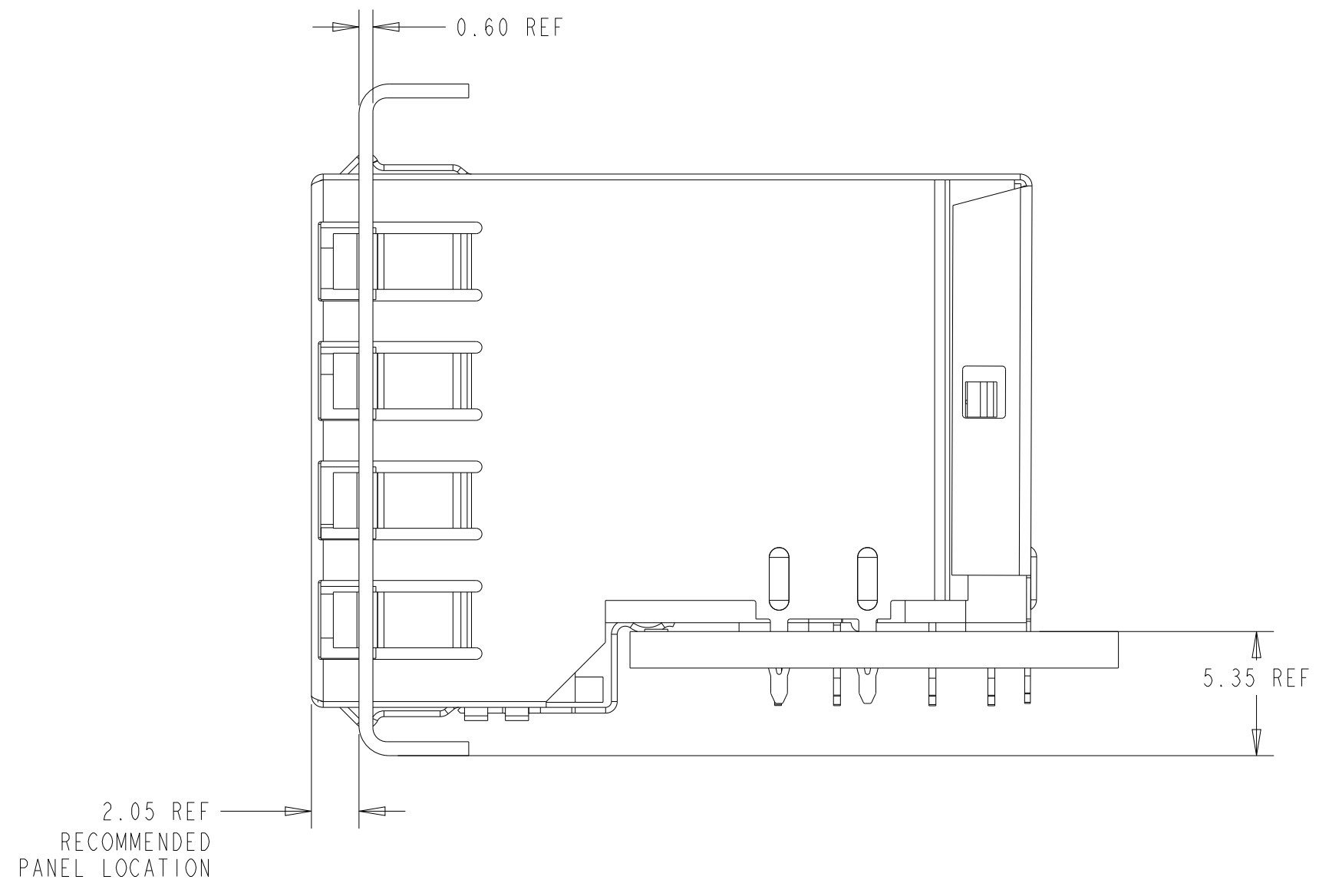
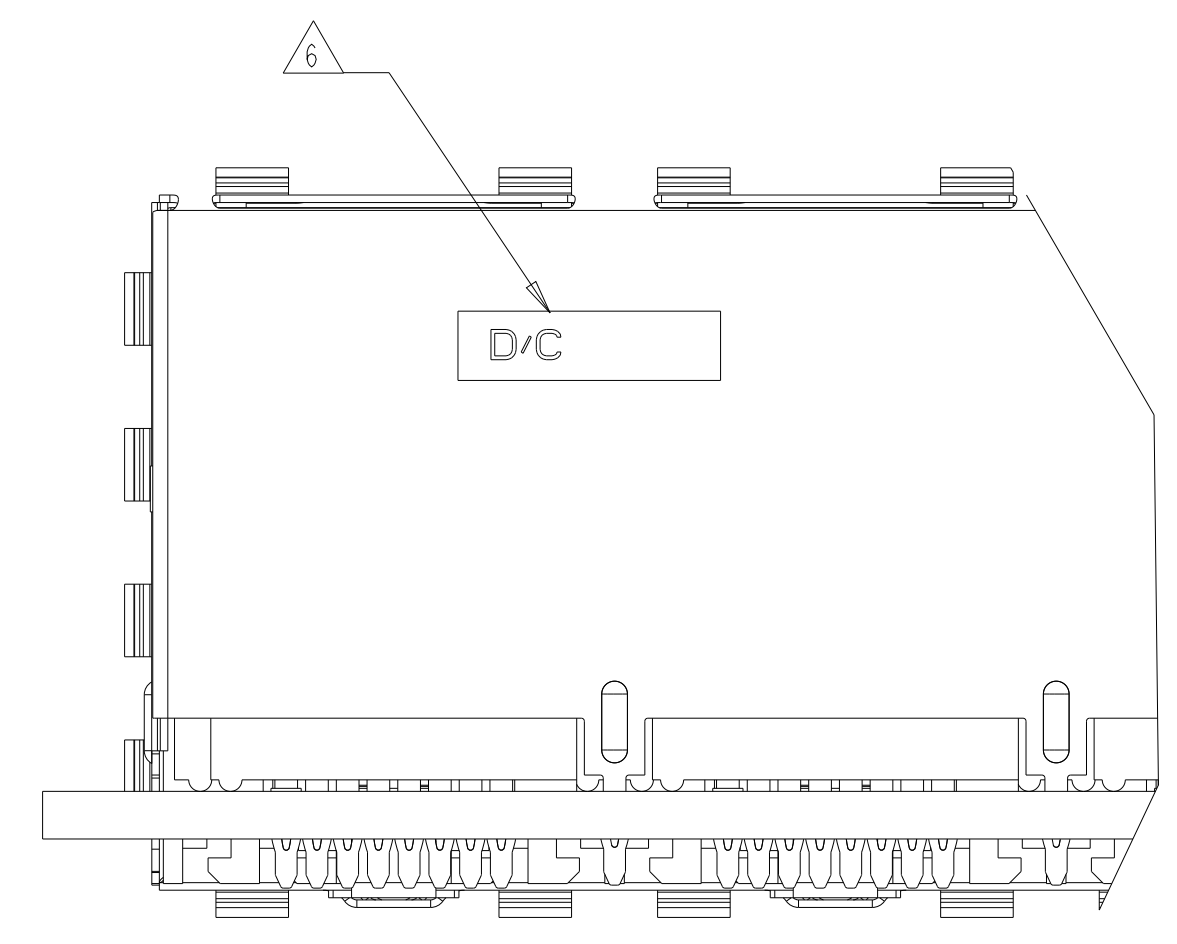


REVISIONS				
P	LTN	DESCRIPTION	DATE	APVD
D1		REVISED PER ECR-23-166294	13APR2023	IT WH



ATCA PANEL AND PRINTED CIRCUIT BOARD ASSEMBLY LAYOUT



AMC PANEL AND PRINTED CIRCUIT BOARD ASSEMBLY LAYOUT

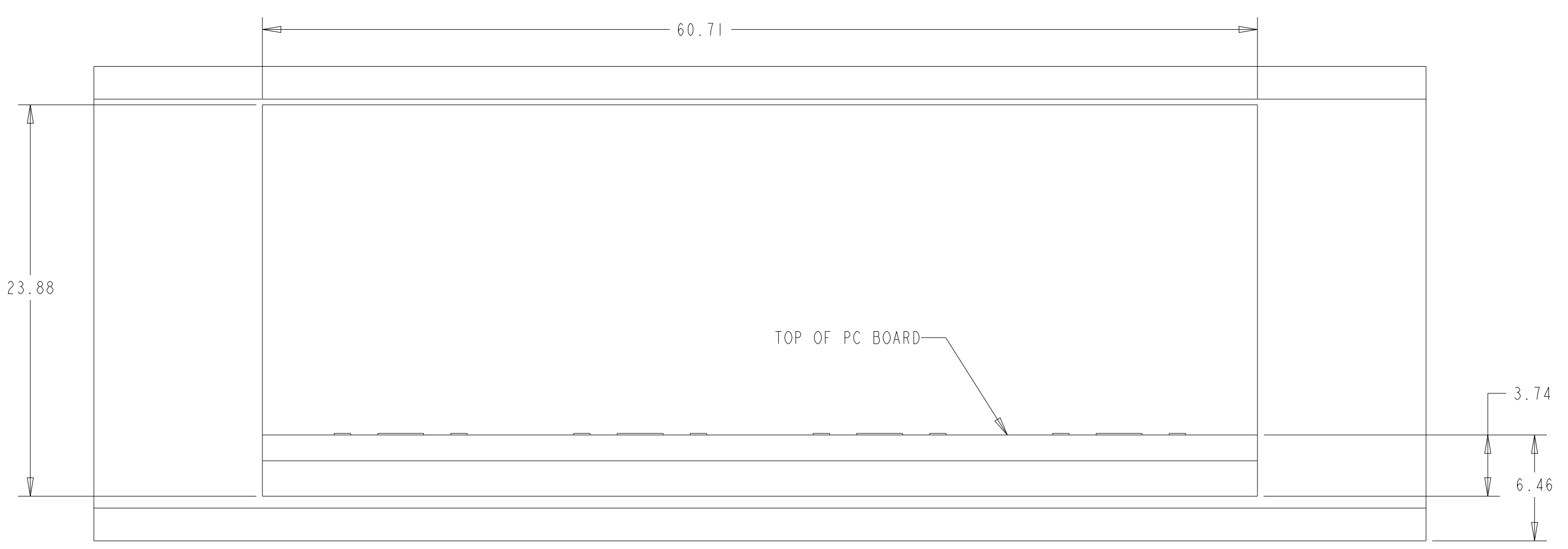
- MATERIAL:
HOUSING: PBT POLYESTER, BLACK, UL 94V-0
TERMINALS: 0.33 THICK PHOSPHOR BRONZE PLATED WITH 1.27μm MINIMUM THICK HARD GOLD IN LOCALIZED AREA AND 2.0μm MINIMUM THICK MATTE TIN IN COMPLIANT PIN TERMINAL AREA OVER 1.27μm MINIMUM THICK NICKEL UNDERPLATE
SHIELD: 0.25 THICK COPPER ALLOY PLATED WITH 1.27 μm MINIMUM NICKEL
GROUND CLIP: 0.25 THICK COPPER ALLOY PLATED WITH 1.27μm MINIMUM NICKEL
 - JACK CAVITY CONFORMS TO FCC RULES AND REGULATIONS, PART 68 SUBPART F.
- 3 MAXIMUM PIN LENGTH 3.40 FROM TOP SURFACE OF PC BOARD
 - 4 FINISHED PLATED THROUGH HOLE DIAMETER - ANNULAR RING DIAMETER 1.3 TO 1.5
 - 5 DATUMS AND BASIC DIMENSIONS ESTABLISHED BY CUSTOMER
 - 6 DATE CODE LOCATED ON REAR OF PART APPROXIMATELY AS SHOWN
 - 7 CONTACTS ARE NOT INTENDED TO BE ALIGNED WITH EACH OTHER

15.88	WITH GROUND CLIP	1888506-2 (SHOWN)
16.13	WITHOUT GROUND CLIP	1888506-1
M DIM	DESCRIPTION	PART NUMBER

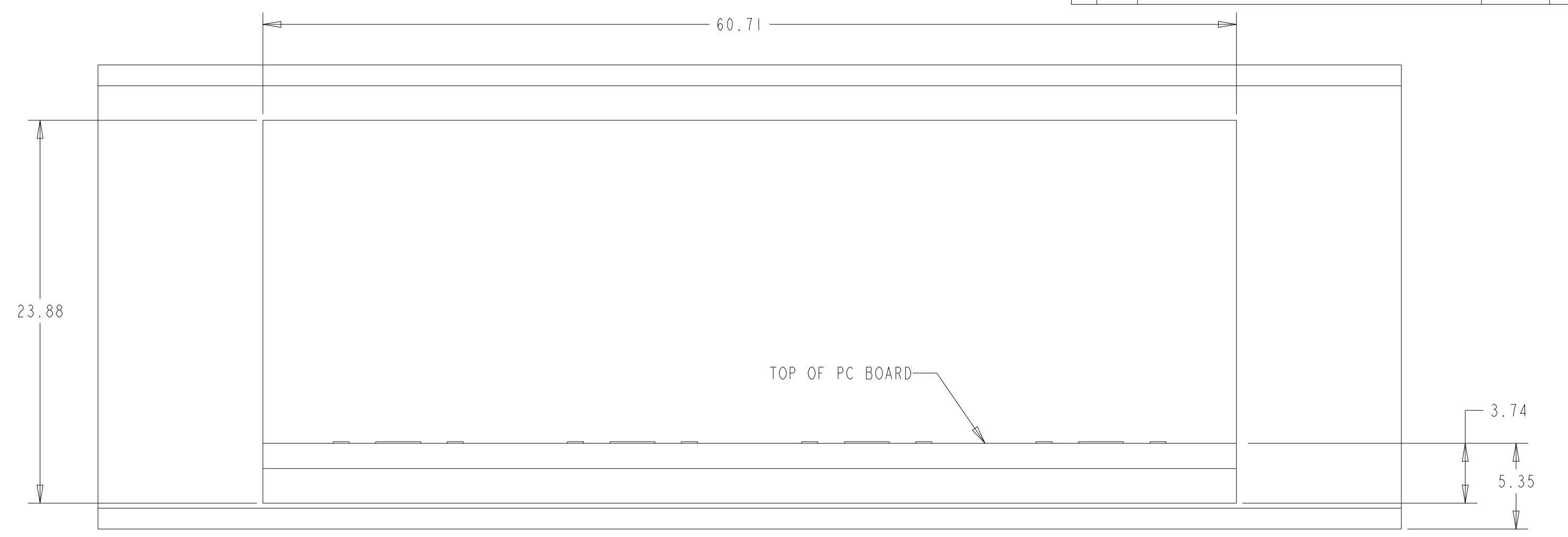
THIS DRAWING IS A CONTROLLED DOCUMENT.

DIMENSIONS: mm 	TOLERANCES UNLESS OTHERWISE SPECIFIED: 0 PLC ± 1 PLC ±0.13 2 PLC ± 3 PLC ± 4 PLC ± ANGLES ±1° FINISH	DWN L.A.MAYER 21OCT2006 CHK J.WESTMAN 21OCT2006 APVD S.FELICKINGER 21OCT2006 NAME PRODUCT SPEC 108-1854 APPLICATION SPEC 114-2160 WEIGHT CUSTOMER DRAWING	TE Connectivity NAME STACKED MOD JACK ASSEMBLY, 2 X 4, 8 POSN, RJ45, SHIELDED, PANEL GROUND, OFFSET, CAT 5 SIZE CAGE CODE DRAWING NO A1 00779 C=1888506 RESTRICTED TO SCALE 4:1 SHEET 1 OF 2 REV D1
-----------------------	---	--	---

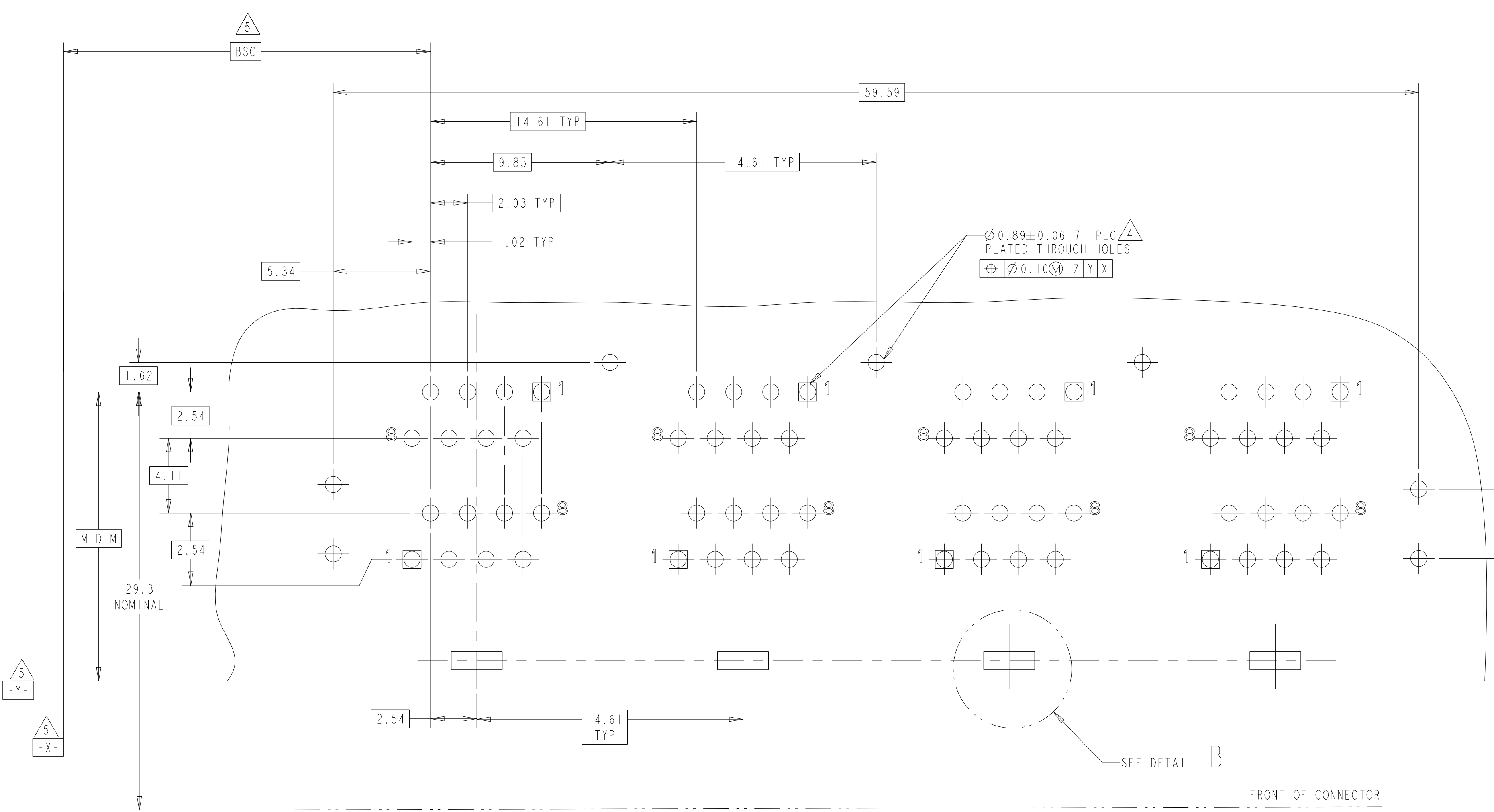
REVISIONS				
P	LTN	DESCRIPTION	DATE	APPD
-	SEE SHEET 1			



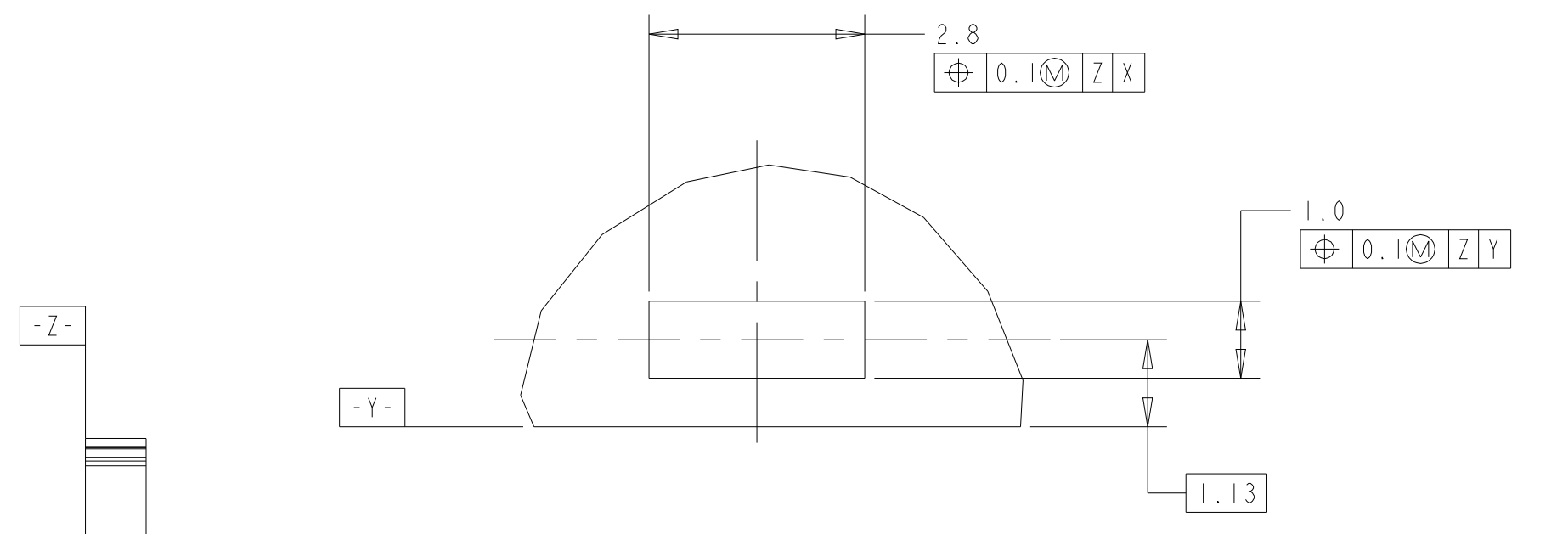
ATCA PANEL AND PRINTED CIRCUIT BOARD LAYOUT



AMC PANEL AND PRINTED CIRCUIT BOARD LAYOUT



PC BOARD LAYOUT (COMPONENT SIDE)



DETAIL B
SCALE 12:1
PLATED PADS REQUIRED FOR
1888506-2 (PRODUCT WITH
GROUNDING CLIP)
4 PLC

THIS DRAWING IS A CONTROLLED DOCUMENT.		OWN: L.A. MAYER 21OCT2006	 TE Connectivity
DIMENSIONS: mm		CHK: J. WESTMAN 21OCT2006	
TOLERANCES UNLESS OTHERWISE SPECIFIED:		APVD: S. FELICKINGER 21OCT2006	NAME: STACKED MOD JACK ASSEMBLY, 2 X 4, 8 POSN, RJ45, SHIELDED, PANEL GROUND, OFFSET, CAT 5
0 PLC ± 1 PLC ±0.13 2 PLC ± 3 PLC ± 4 PLC ±		PRODUCT SPEC: 108-1854	
MATERIAL: SEE NOTE 1		APPLICATION SPEC: 114-2160	RESTRICTED TO: -
CUSTOMER DRAWING		WEIGHT: -	SCALE: 6:1
		SIZE: A1	SHEET: 2 OF 2
		CAGE CODE: 00779	REV: D1
		DRAWING NO: 1888506	