

4

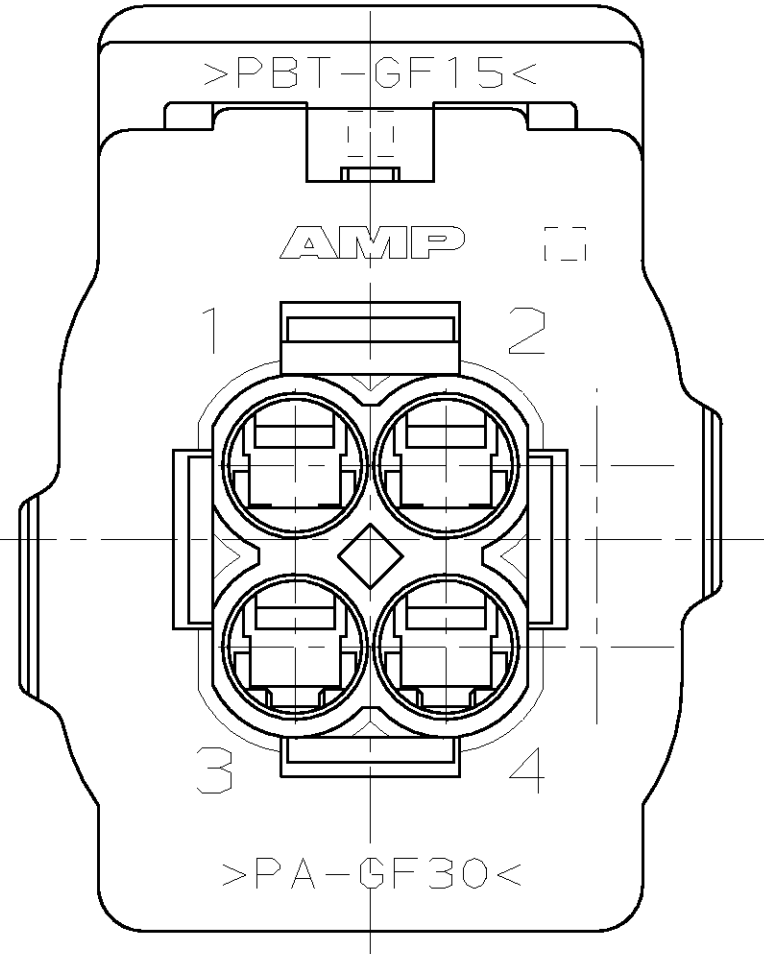
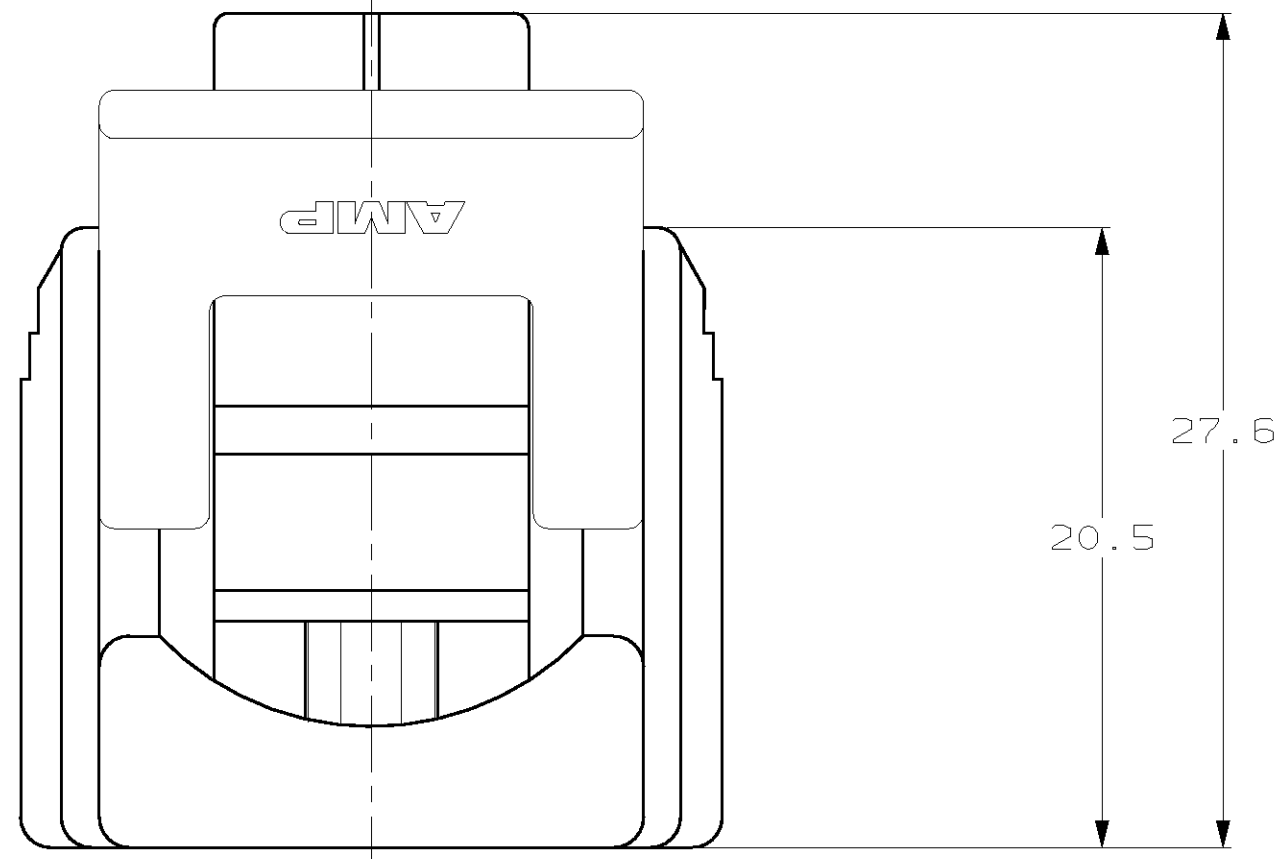
3

2

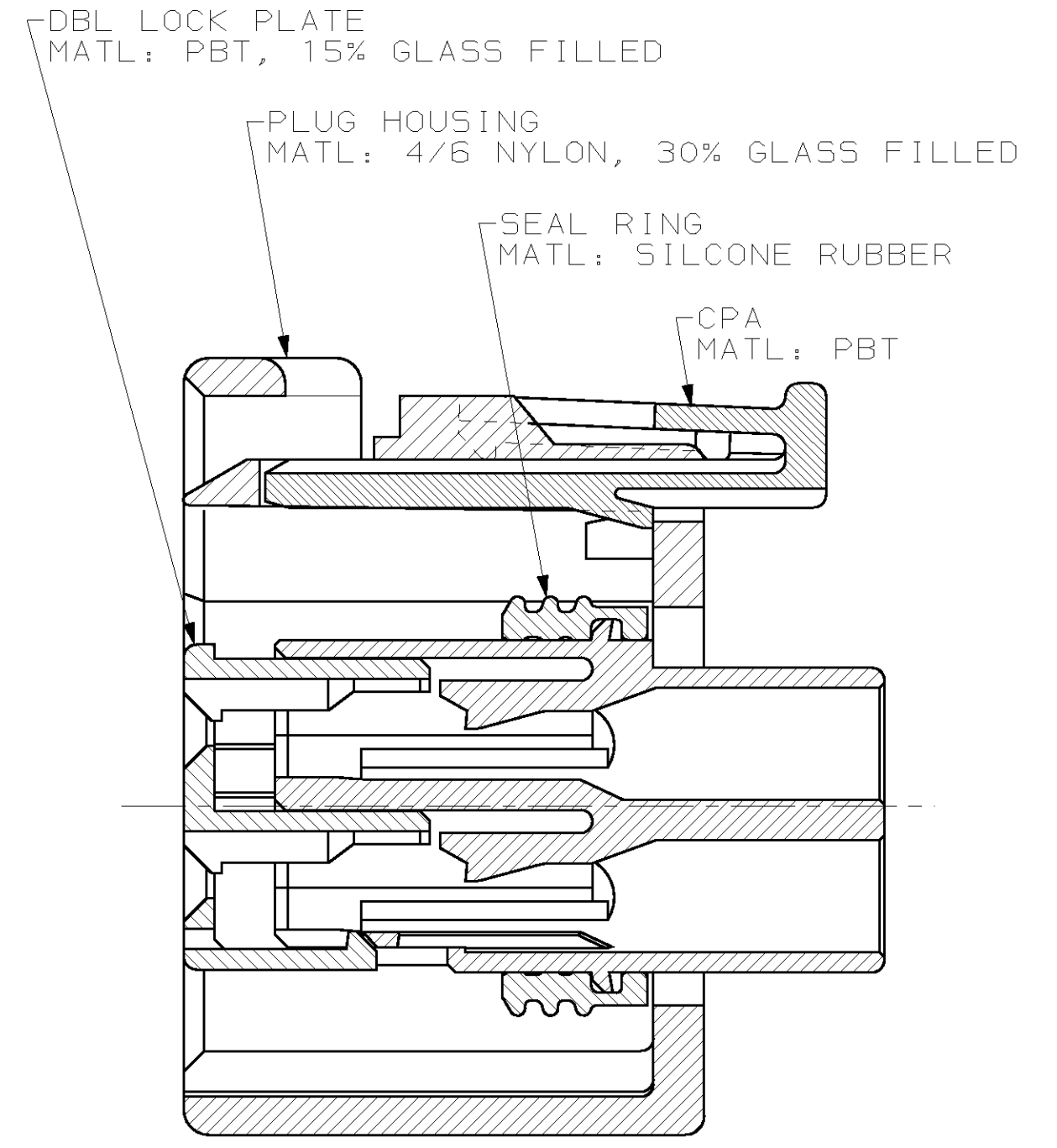
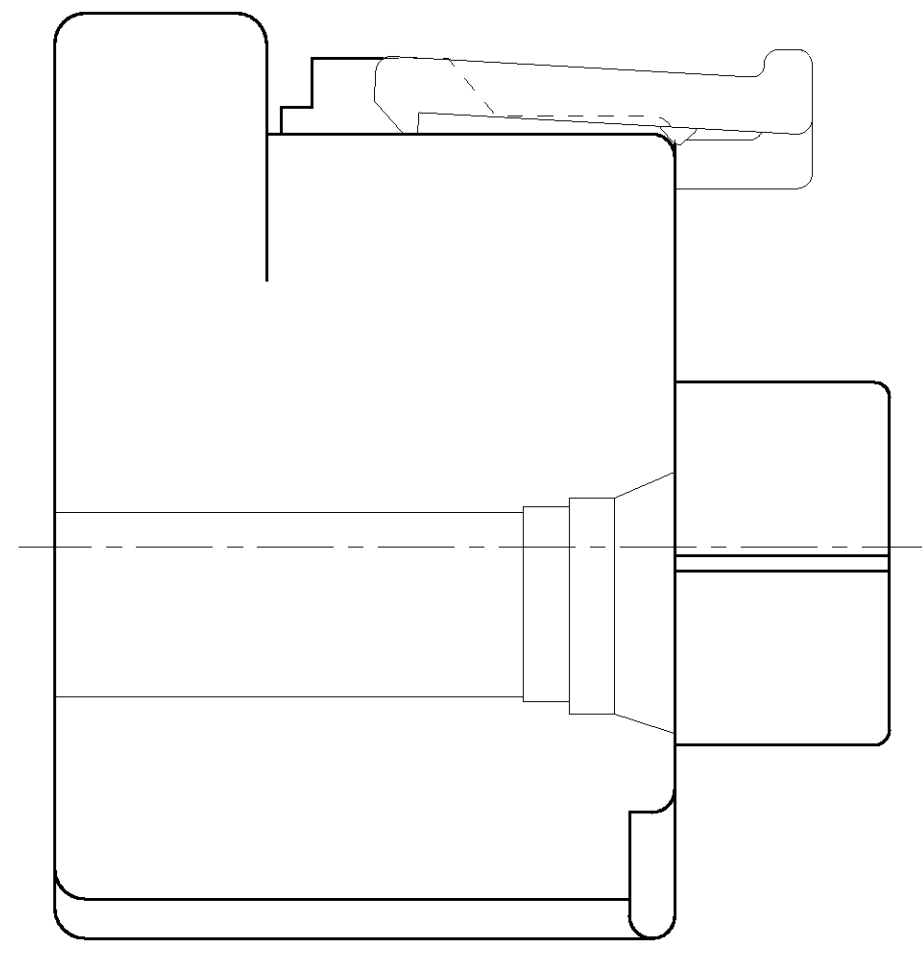
1

THIS DRAWING IS UNPUBLISHED. RELEASED FOR PUBLICATION BY AMP INCORPORATED. ALL RIGHTS RESERVED. © COPYRIGHT 19

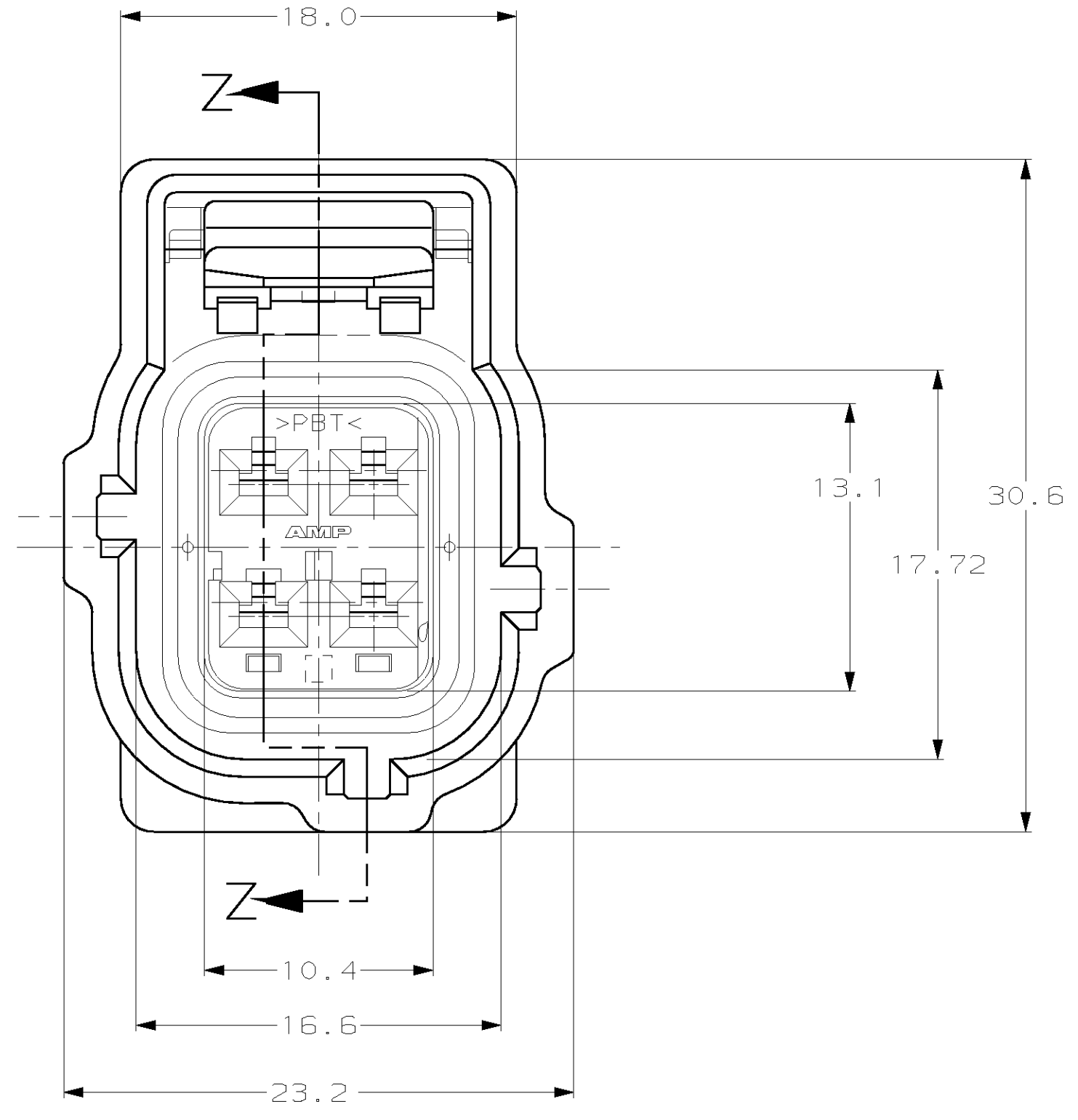
LOC	DIST	REVISIONS					
GE	00	P	LTR	DESCRIPTION	DATE	DWN	APVD
		E		REV PER 0K40-0164-01	13SEP01	AG	KC
		F		REV PER EC 0K40-0710-01	21JAN02	RC	KC



VIEW B-B



SECTION Z-Z SCALE 4:1



THIS DRAWING IS A CONTROLLED DOCUMENT.		DWN	04JUN99	AMP Incorporated Harrisburg, PA 17105-3608
DIMENSIONS: mm		CHK	04JUN99	
		APVD	04JUN99	
TOLERANCES UNLESS OTHERWISE SPECIFIED: 0 PLC ±- 1 PLC ±0.3 2 PLC ±0.15 3 PLC ±- 4 PLC ±- ANGLES ±- FINISH -		NAME	J. KUNKLE	
MATERIAL	-	PRODUCT SPEC	-	2 X 2 PLG ASY KEY G-C4 W/CPA
		APPLICATION SPEC	-	SIZE A2
		WEIGHT	-	CAGE CODE 00779
		CUSTOMER DRAWING	-	DRAWING NO. C-184324
				SCALE 4:1 SHEET 1 OF 1 REV F

184324