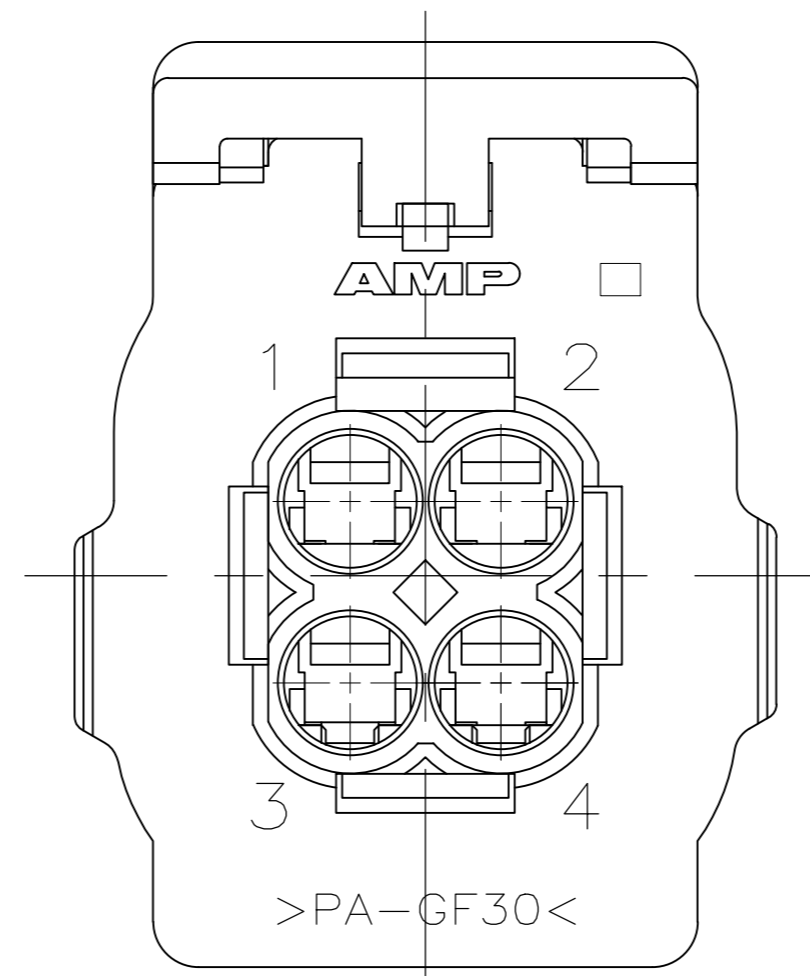
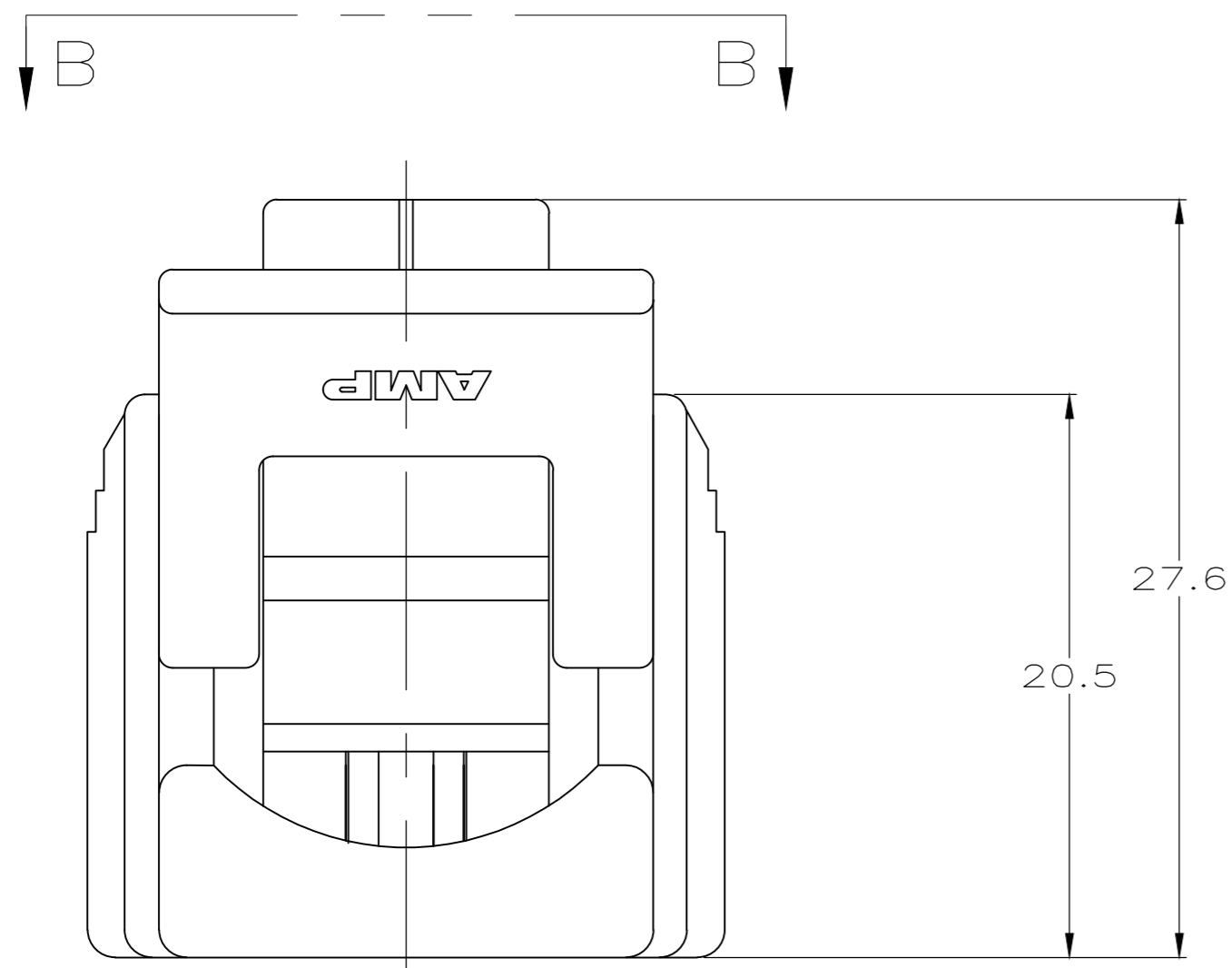
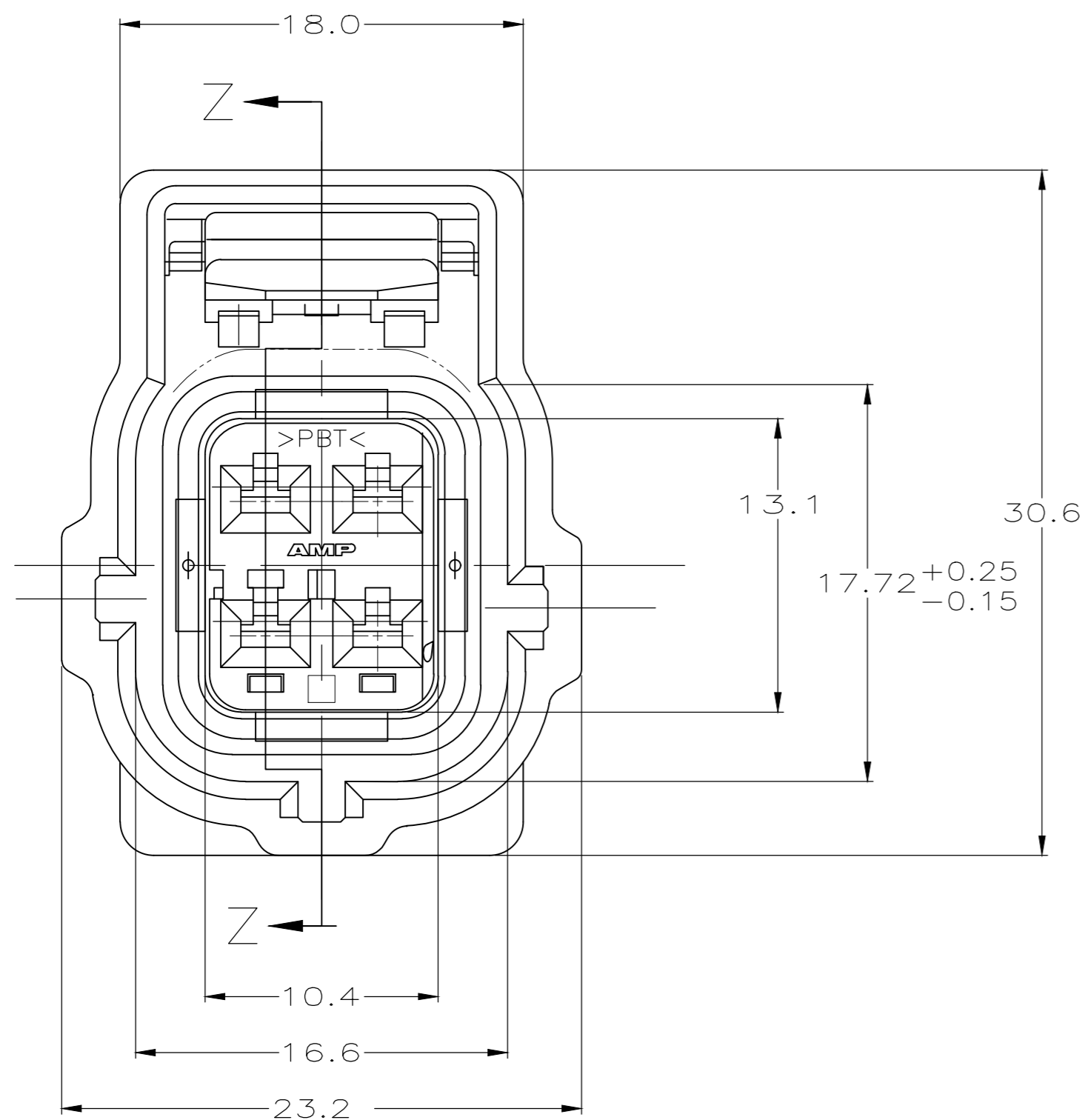


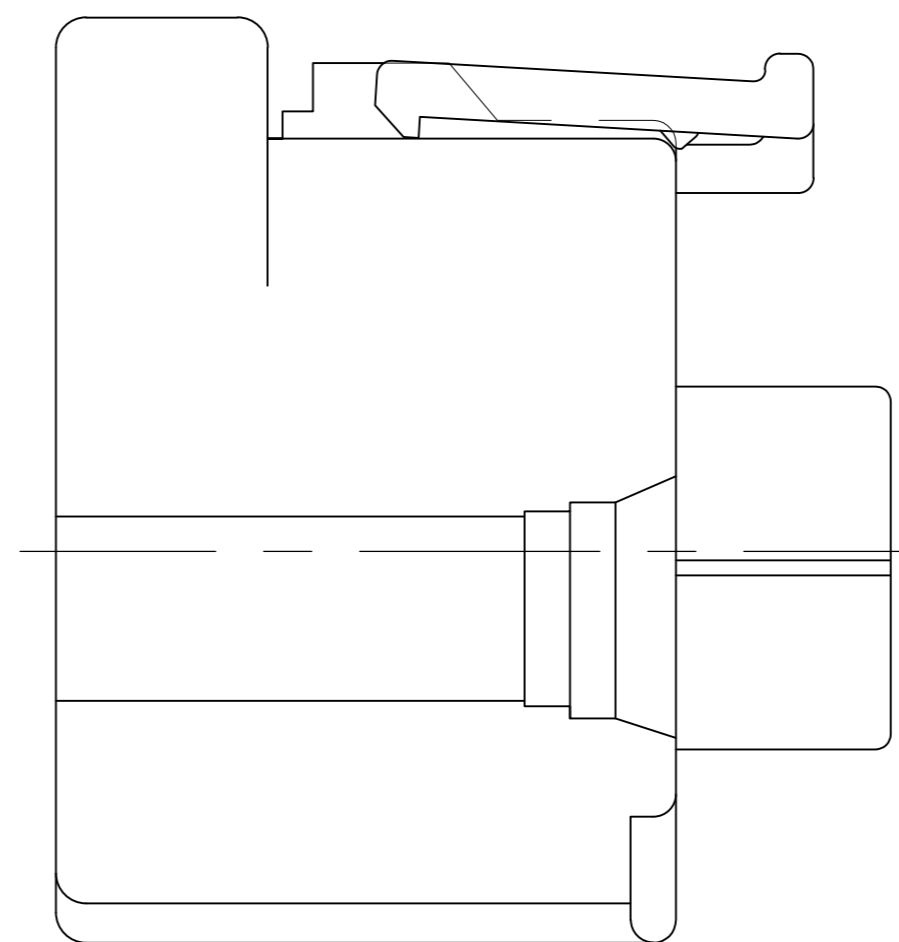
REVISIONS					
P	LTR	DESCRIPTION	DATE	DWN	APVD
H		REVISED PER ECO-09-008507	09APR2009	DD	MB
H1		REVISED PER ECO-20-012742	15SEP20	AP	HDC



VIEW B-B



DBL LOCK PLATE  
MATL: PBT, 15%  
GLASS FILLED



PLUG HOUSING  
MATL: 4/6 NYLON, 30% GLASS FILLED

SEAL RING  
MATL: SILICONE RUBBER

CPA  
MATL: PBT

SECTION Z-Z

SCALE 4:1

OBsolete

NATURAL	184303-2
BLACK	184303-1
PLUG COLOR	PART NUMBER

THIS DRAWING IS A CONTROLLED DOCUMENT.		DWN	KD LYTL	05/12/97	 TE Connectivity	NAME		2 X 2 PLG ASY KEY D-C4 W/CPA				
DIMENSIONS:		CHK	CT HYRB	05/13/97		SIZE		CAGE CODE	DRAWING NO	RESTRICTED TO		
mm		APVD	CT HYRB	05/13/97		A2		00779	C=184303	-		
TOLERANCES UNLESS OTHERWISE SPECIFIED:		PRODUCT SPEC	APPLICATION SPEC			SCALE		SHEET	1 OF 1	REV		
0 PLC ± -		WEIGHT		0.000000	CUSTOMER DRAWING		SCALE	4:1	SHEET	1 OF 1	REV	H1
1 PLC ± 0.3		MATERIAL		-								
2 PLC ± 0.15		FINISH		-								
3 PLC ± -												
4 PLC ± -												
ANGLES ± -												