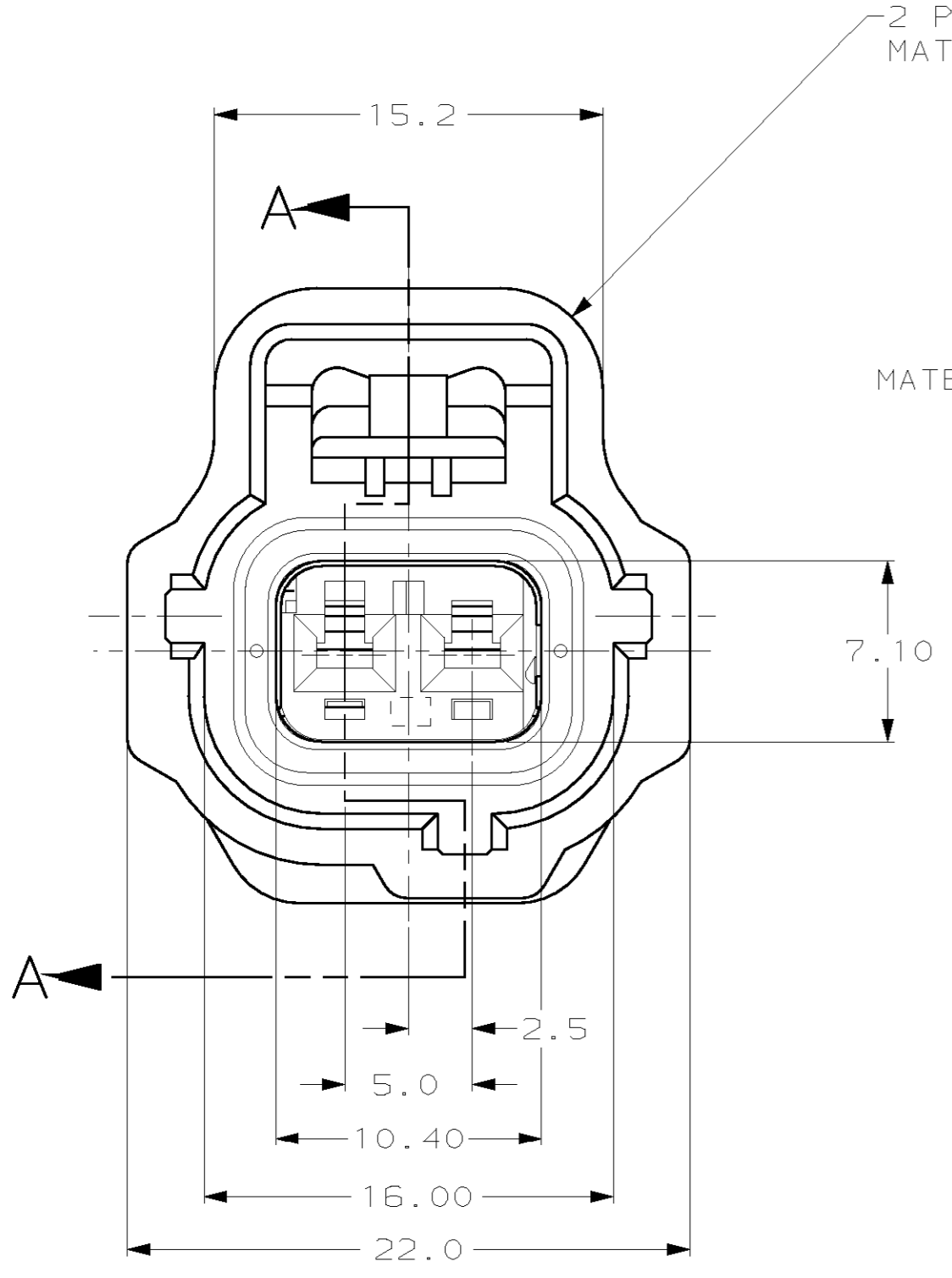
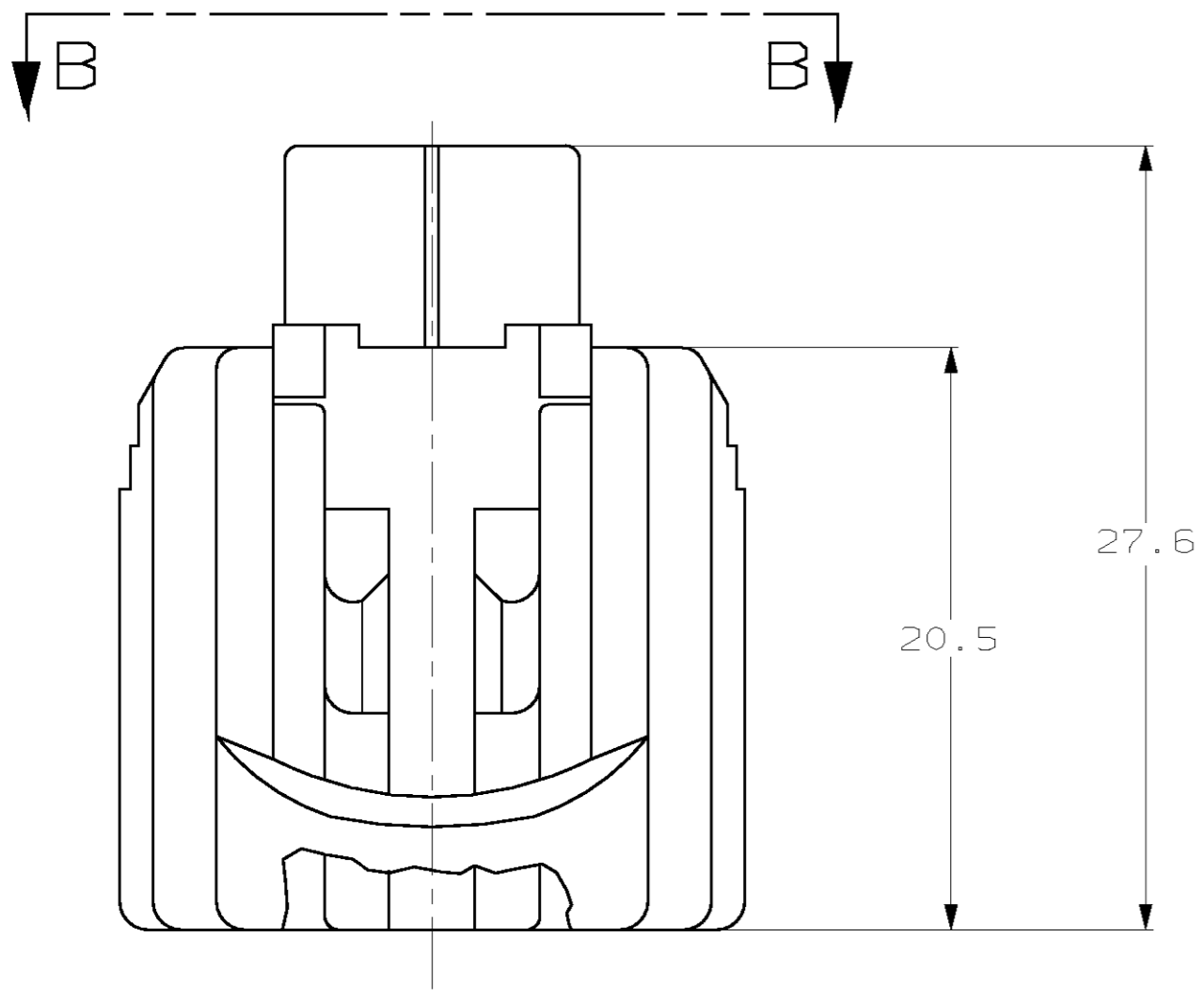


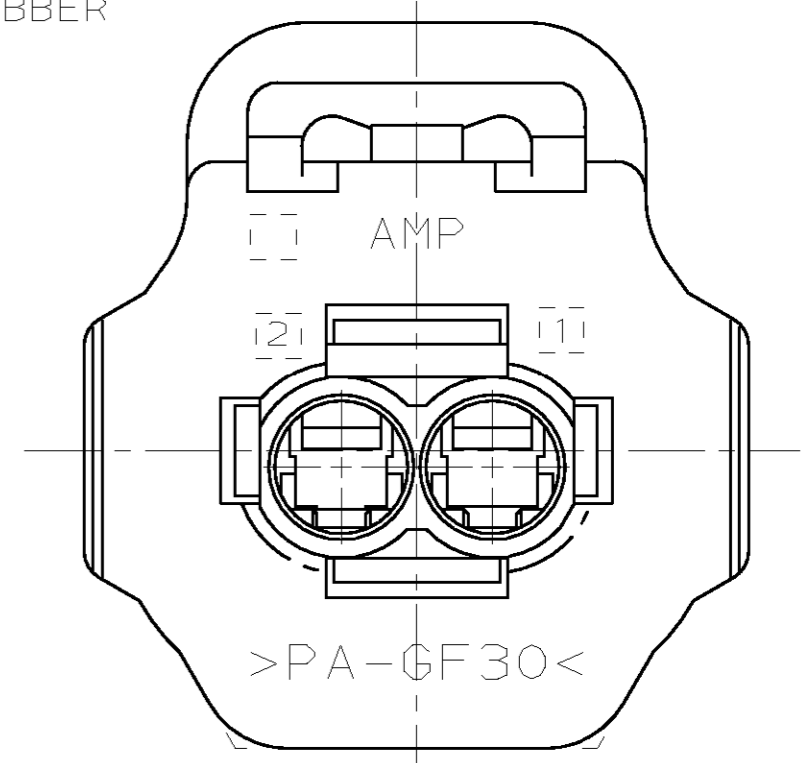
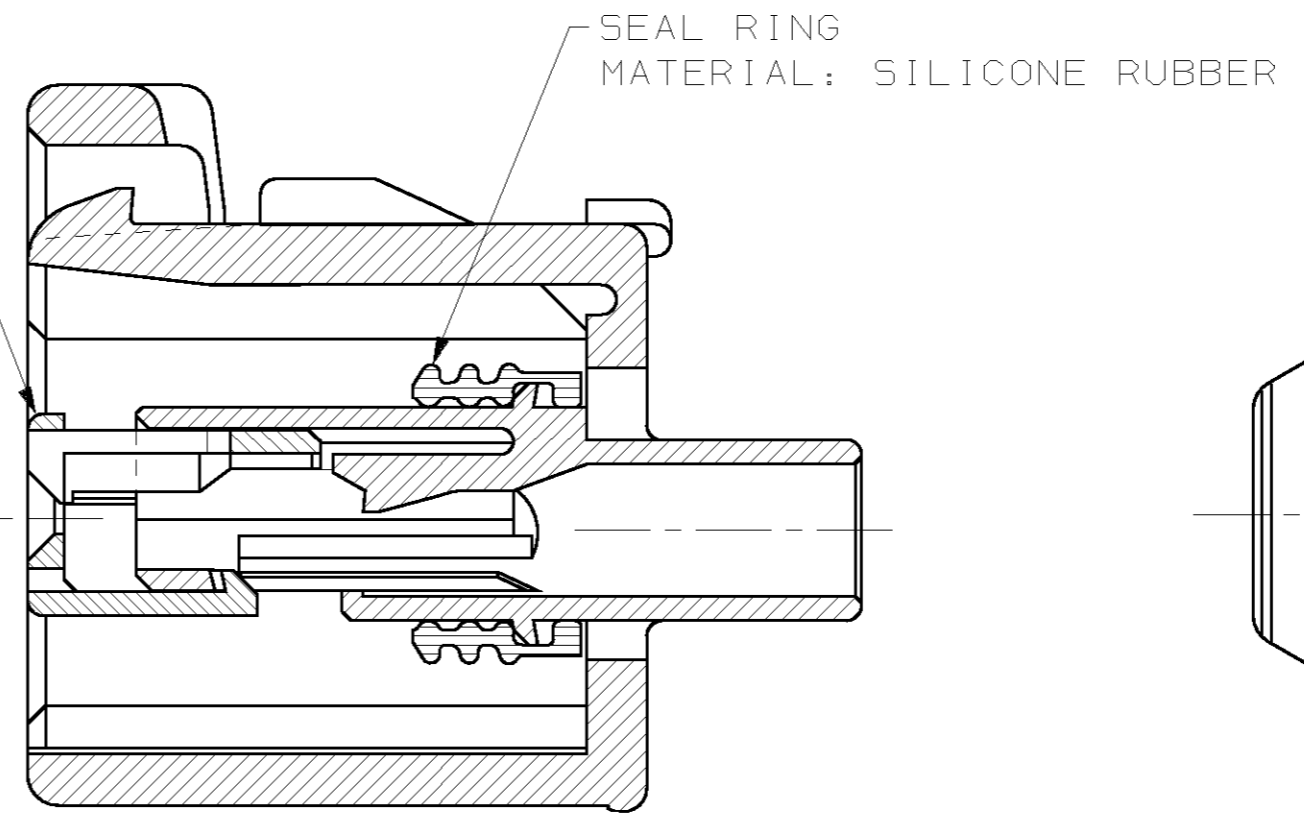
THIS DRAWING IS UNPUBLISHED. RELEASED FOR PUBLICATION .19  
 (C) COPYRIGHT 19 BY AMP INCORPORATED. ALL RIGHTS RESERVED.

LOC		DIST		REVISIONS			
P	LTR	DESCRIPTION	DATE	DWN	APVD		
		0		RELEASED, WAS 95-4072-99-7	-	-	-
		A		REV PER ECN OK50-0003-96	08/14/96	KW	JK
		B		REV PER EC# OK40-0140-00	7-11-00	PC	GI



2 POSN PLUG  
 MATERIAL: 4/6 NYLON, 30% GLASS FILLED

2 POSN. DOUBLE LOCK PLATE  
 MATERIAL: PBT, 15% GLASS FILLED



SECTION A-A

VIEW B-B

KEYING TYPE G

THIS DRAWING IS A CONTROLLED DOCUMENT FOR AMP INCORPORATED. IT IS SUBJECT TO CHANGE AND THE CONTROLLING ENGINEERING ORGANIZATION SHOULD BE CONTACTED FOR THE LATEST REVISION.

DIMENSIONS:	TOLERANCES UNLESS OTHERWISE SPECIFIED:
mm	0 PLC ±.30
	1 PLC ±0.15
	2 PLC ±.
	3 PLC ±.
	4 PLC ±.
	ANGLES ±1°
MATERIAL	FINISH

DWN	KD LYTLE	01/05/96
CHK	EJ OSWANDEL	01/11/96
APVD	EJ OSWANDEL	01/11/96
PRODUCT SPEC		
APPLICATION SPEC		
WEIGHT		
CUSTOMER DRAWING		

BLACK	184224-1
PLUG COLOR	PART NO
<b>AMP</b> AMP Incorporated Harrisburg, PA 17105-3608	
1 X 2 PLG ASY KEY G-C4	
SIZE	CAGE CODE
A2	00779
DRAWING NO	C=184224
SCALE	SHEET
4:1	1 OF 1
REV	B