

4

3

2

1

THIS DRAWING IS UNPUBLISHED.

RELEASED FOR PUBLICATION

,19

© COPYRIGHT 19

BY AMP INCORPORATED. ALL RIGHTS RESERVED.

LOC

DIST

REVISIONS

G

16

P

LTR

DESCRIPTION

DATE

DWN

APVD

0

INITIAL RELEASE

02/14/96

KW

JK

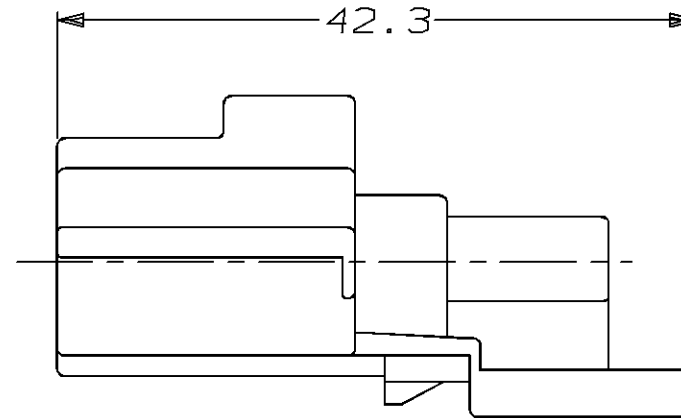
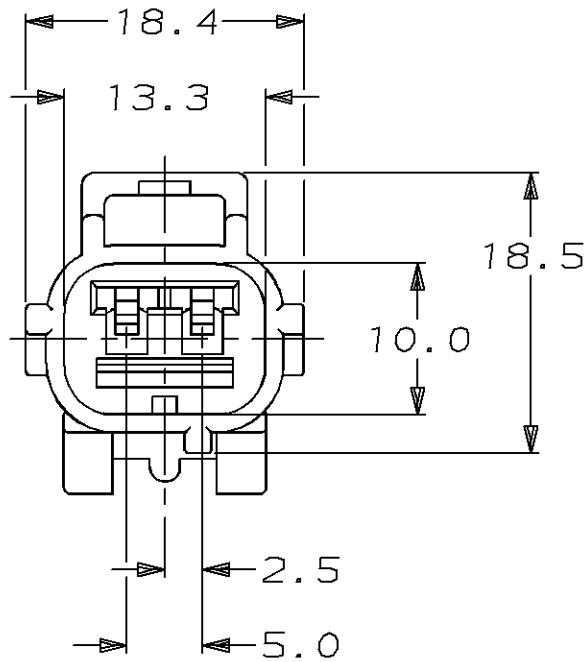
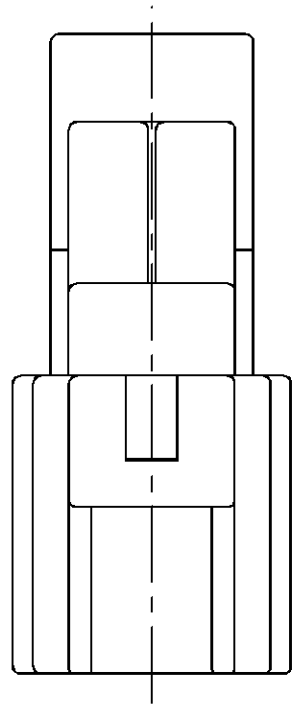
A

REV PER ECN #OKSO-0014-96

09/20/96

KW

JK



184173-1
PART NUMBER

<small>THIS DRAWING IS A CONTROLLED DOCUMENT FOR AMP INCORPORATED. IT IS SUBJECT TO CHANGE AND THE CONTROLLING ENGINEERING ORGANIZATION SHOULD BE CONTACTED FOR THE LATEST REVISION.</small>		DWN	K. WISE	02/14/96	AMP Incorporated Harrisburg, PA 17105-3608	
DIMENSIONS:		CHK	J. KUNKLE	03/08/96		
mm		APVD	J. KUNKLE	03/08/96		
		PRODUCT SPEC	-			
TOLERANCES UNLESS OTHERWISE SPECIFIED:		APPLICATION SPEC	-		NAME	CAP HSG, SSC, 2 POSN L KEY
0 PLC	±-	WEIGHT	-		SIZE	A3
1 PLC	±0.3	CUSTOMER DRAWING	-		CAGE CODE	00779
2 PLC	±-		-		DRAWING NO	184173
3 PLC	±-		-		SCALE	2:1
4 PLC	±-		-		SHEET	1 OF 1
ANGLES	±-		-		REV	A
FINISH	NATURAL		-			
MATERIAL	PBT, 15% GLASS FILLED		-			