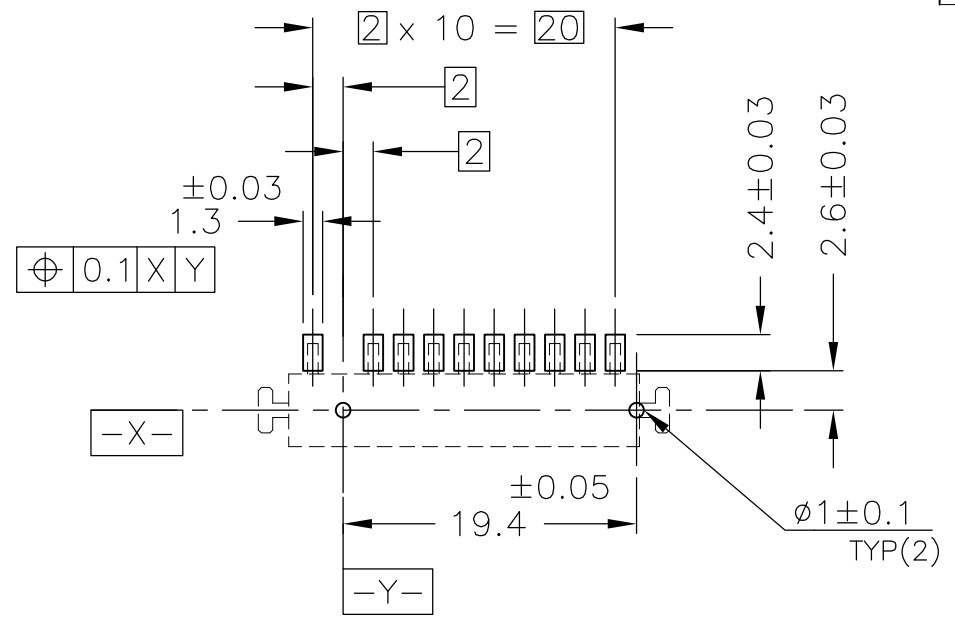
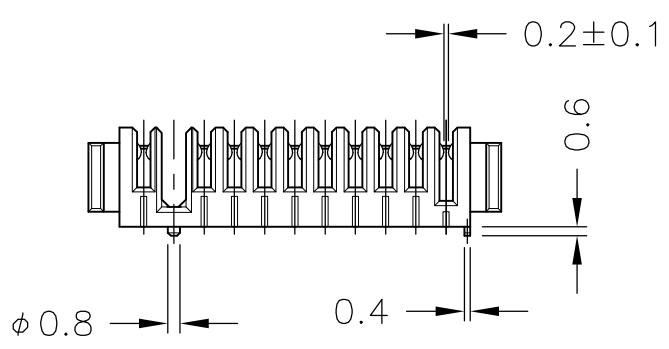
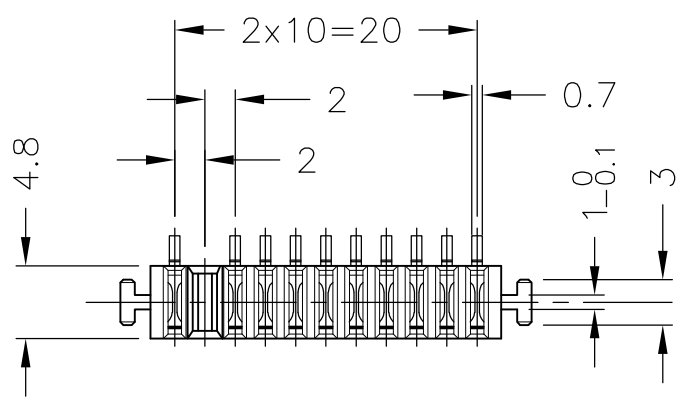
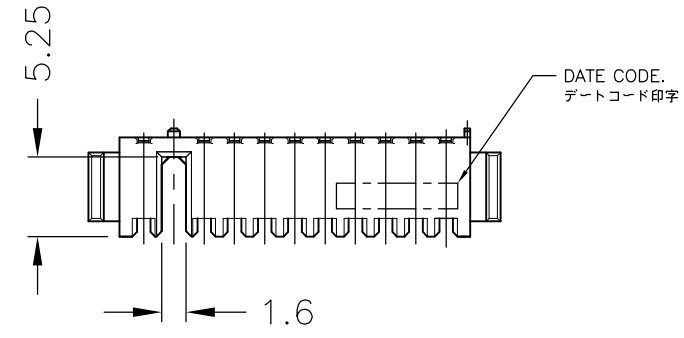
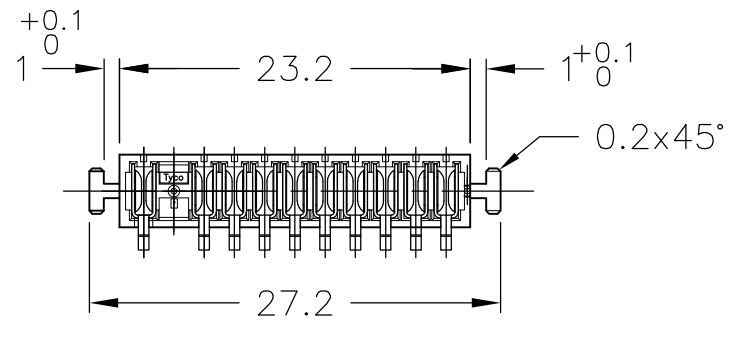
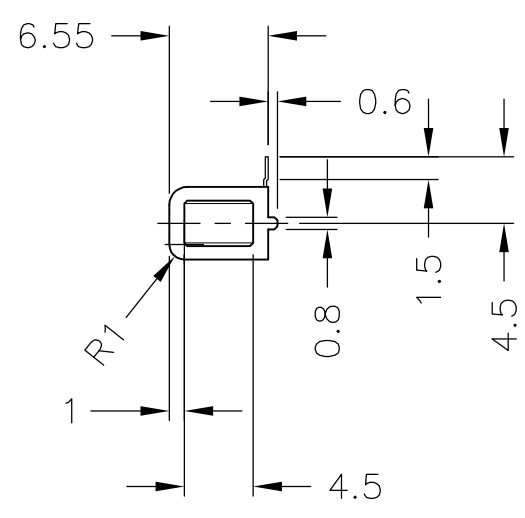


THIS DRAWING IS UNPUBLISHED. RELEASED FOR PUBLICATION
 © COPYRIGHT BY TYCO ELECTRONICS CORPORATION. ALL RIGHTS RESERVED.

LOC	DIST	REVISIONS 変更					
J		P	LTR	DESCRIPTION	DATE	DWN	APVD
		A	REVISED	ECR-07-004236,008100	10JUL07	T.K	K.I



基板取付推奨寸法
 RECOMMENDED P.C. BOARD LAYOUT
 P.C. BOARD THK 0.8~1.2
 (VIEW FROM CONNECTOR MOUNTING SIDE)



- ① 材料 ハウジング : 6Tナイロン、UL94V-0
色 ; 黒
- ② 仕上げ コントクト : 銅合金
接触部 Auめっき 0.3μm以上
半田付け部 Auフラッシュめっき 0.05~0.15μm
- ① MATERIAL HOUSING : 6T NYLON, UL94V-0
COLOR ; BLACK
- ② FINISH CONTACT : Ni ALL OVER UNDER PL.
Au PL. 0.3μm MIN. AT CONTACT AREA
Au FLASH PL. 0.05~0.15μm AT LEAD AREA

THIS DRAWING IS A CONTROLLED DOCUMENT.		DWN	T.KATANO	18JAN05	Tyco Electronics Corporation Kawasaki, Japan
DIMENSIONS: 単位: 耗 mm		CHK	T.KIMURA	19JAN05	
TOLERANCES UNLESS OTHERWISE SPECIFIED: 一般公差		APVD	K.IKEGAMI	19JAN05	
0 PLC ± 0.3 1 PLC ± 0.3 2 PLC ± 0.3 3 PLC ± 0.3 4 PLC ± 0.3 ANGLES ± 3°		PRODUCT SPEC 製品規格 108-5850		NAME 名称	
MATERIAL 材料	①	FINISH 仕上		②	2mm PITCH BATTERY CONNECTOR RECEPTACLE ASSEMBLY, REVERSE TYPE
WEIGHT		SIZE	A3	CAGE CODE	00779
CUSTOMER DRAWING		DRAWING NO 番号	G-1827622		RESTRICTED TO
SCALE 尺度		2:1		SHEET	1 OF 1
		REV		A	