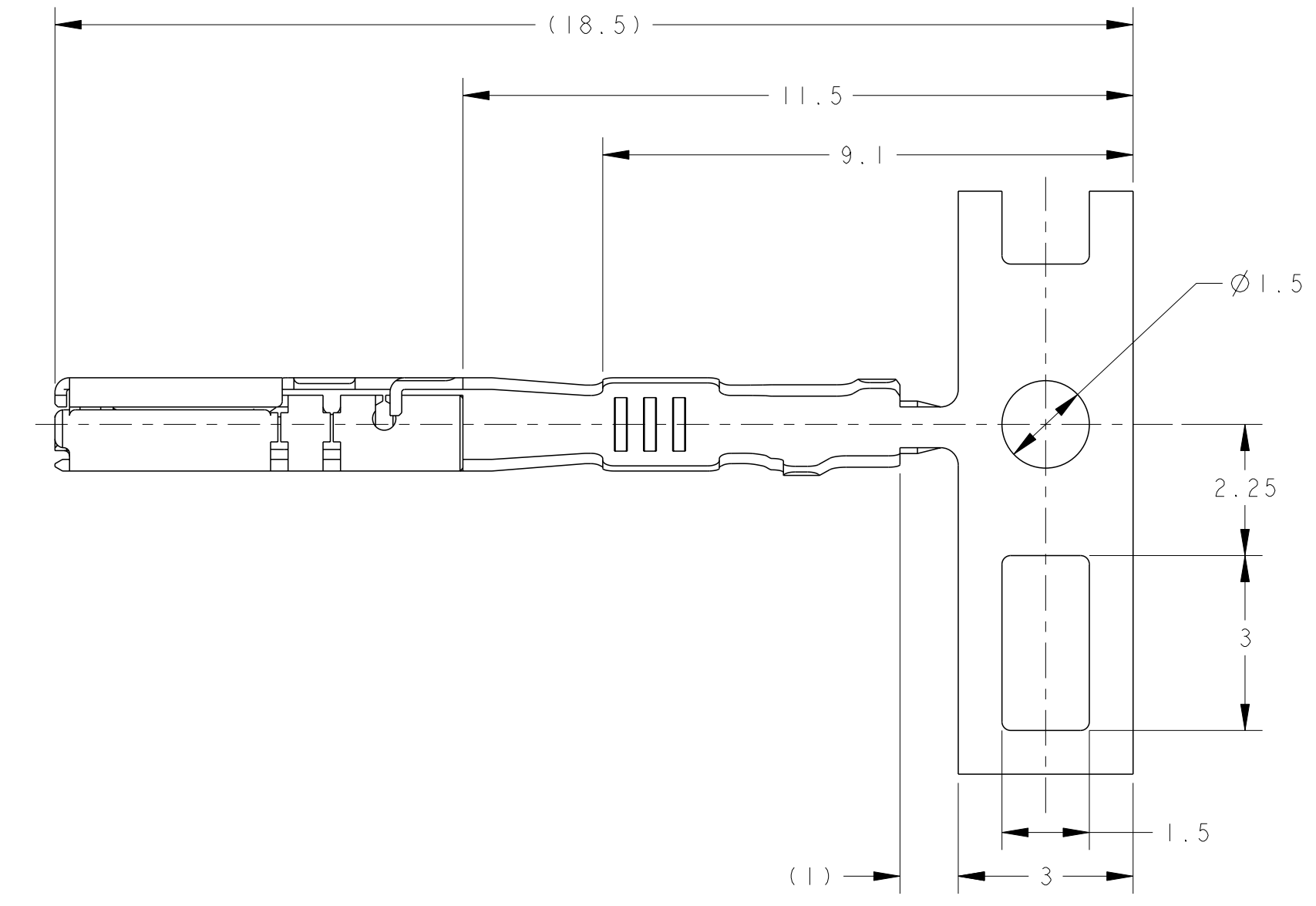


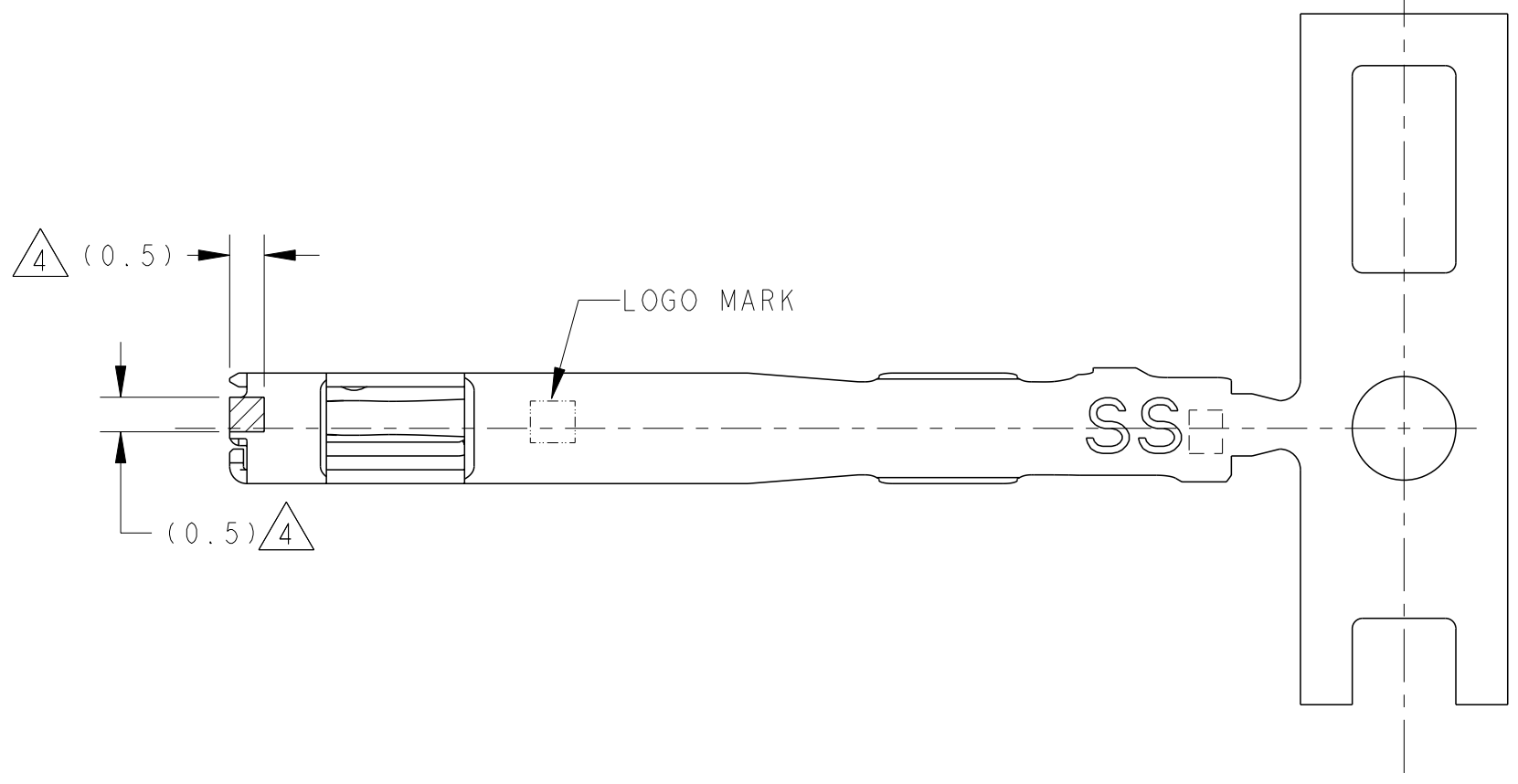
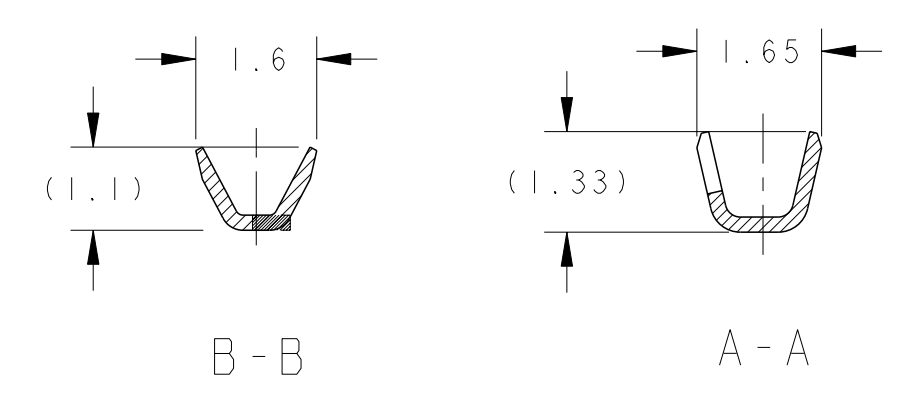
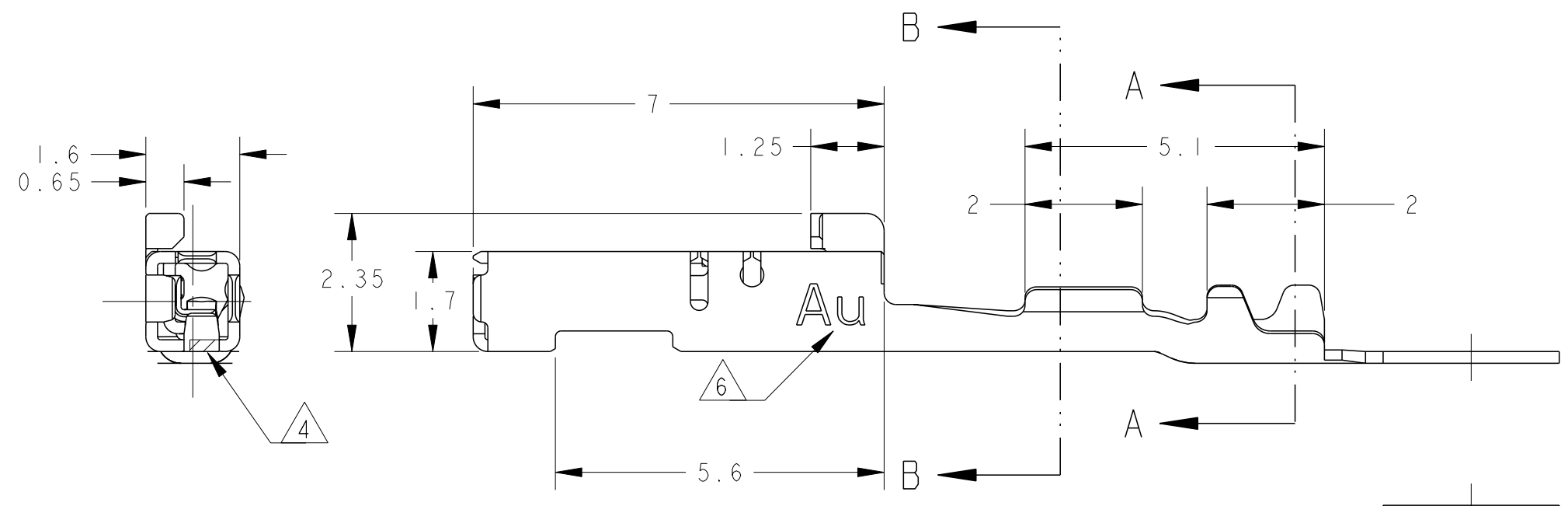
THIS DRAWING IS UNPUBLISHED. RELEASED FOR PUBLICATION 2015
 © COPYRIGHT 2015 ALL RIGHTS RESERVED.

LOC		RIST		REVISIONS			
P	LTR	DESCRIPTION	DATE	DWN	APVD		
	A	RELEASED	03OCT2007	S.Y	H.Y		
	B	REVISED ECR-10-005857	13MAY10	SF	KB		
	C	REVISED ECR-15-013494	18SEP2015	KK	RK		



1. APPLICABLE WIRE RANGE ; CHFUS 0.13mm²
 2. MUST BE REFERRED TO THE FOLLOWING DOCUMENTS FOR CRIMPING OPERATION
TE SPEC ; 114-5329
 3. APPLICATOR FEED; 8.0mm.
- △4 GOLD PLATED AREA FOR DISCRIMINATION
 - △5 CONTACT POINT: GOLD PLATING
 - △6 BARREL: TIN PLATING
 - △7 MARKING FOR IDENTIFICATION.

1. 適用電線： CHFUS 0.13mm²
 2. 圧着作業については、以下の規格を参照すること。
TE規格； 114-5329
 3. アプリケータ送りピッチ； 8.0mm
- △4 寸法は金めっき範囲を表す
 - △5 接触部：金めっき、バルレル部：すずめっき
 - △6 識別用刻印



△4 △5 △6 SELECTIVE GOLD, TIN	1827483-2
PRE-TIN	1827483-1
FINISH	TE PART NO.

THIS DRAWING IS A CONTROLLED DOCUMENT.		DWN S. YOKOZEKI 03OCT2007	TE Connectivity	
DIMENSIONS: 単位： ㎜		CHK S. AMEMIYA 03OCT2007		
TOLERANCES UNLESS OTHERWISE SPECIFIED:		APVD H. YAMAGAMI 03OCT2007	NAME 0.64111 SERIES CONNECTOR RECEPTACLE CONTACT (SS)	
一般公差 ±0.3 0-PLC ± 1-PLC ± 2-PLC ± 3-PLC ± 4-PLC ± ANGLES ±3°00' FINISH 仕上		PRODUCT SPEC 114-5329	DRAWING NO. 1827483	
MATERIAL 材料 Cu ALLOY		APPLICATION SPEC 114-5329	SIZE A2	RESTRICTED TO
SEE TABLE		WEIGHT 0.14 g	CAGE CODE 00779	SHEET 1 OF 1
CUSTOMER DRAWING		SCALE 10:1	DRAWING NO. 1827483	REV C