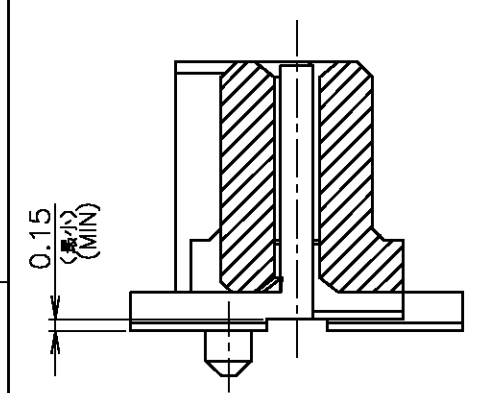
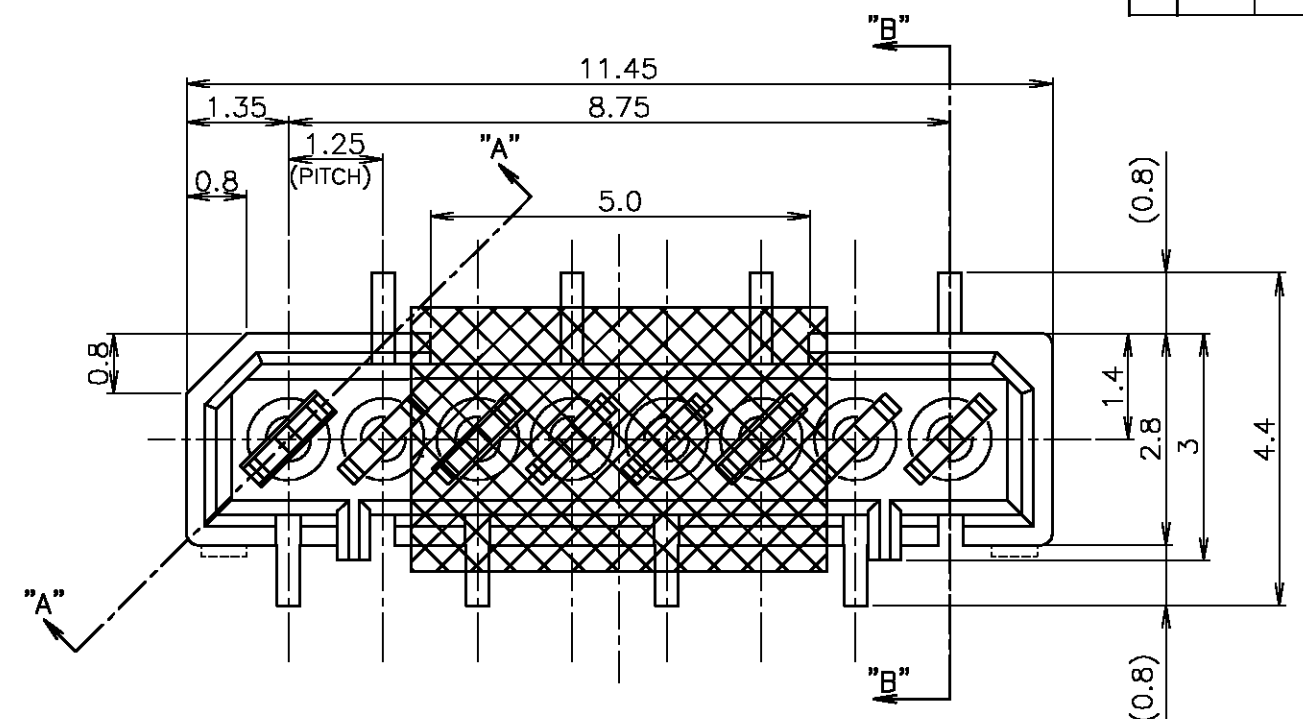


THIS DRAWING IS UNPUBLISHED. RELEASED FOR PUBLICATION  
 © COPYRIGHT BY TYCO ELECTRONICS CORPORATION. ALL RIGHTS RESERVED.

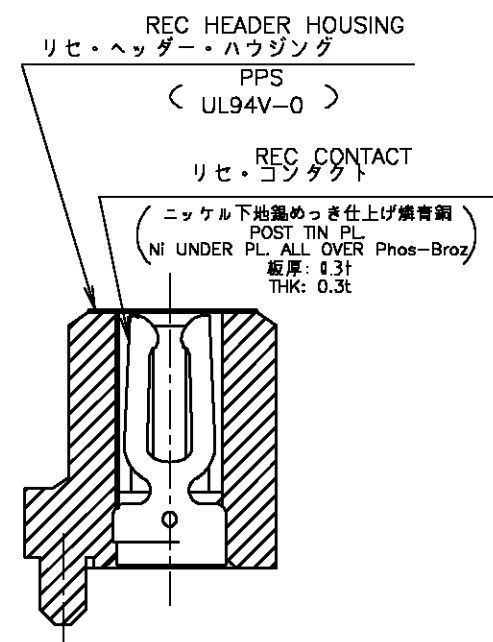
LOC		DIST		REVISIONS					
J				P	LTR	DESCRIPTION	DATE	DWN	APVD
					0	RELEASED FJB0-1376-04	17DEC04	Y.S	H.M



SECT "B"- "B"

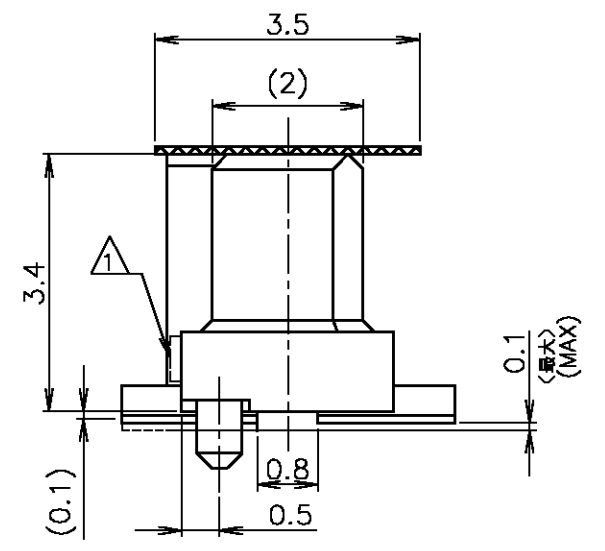
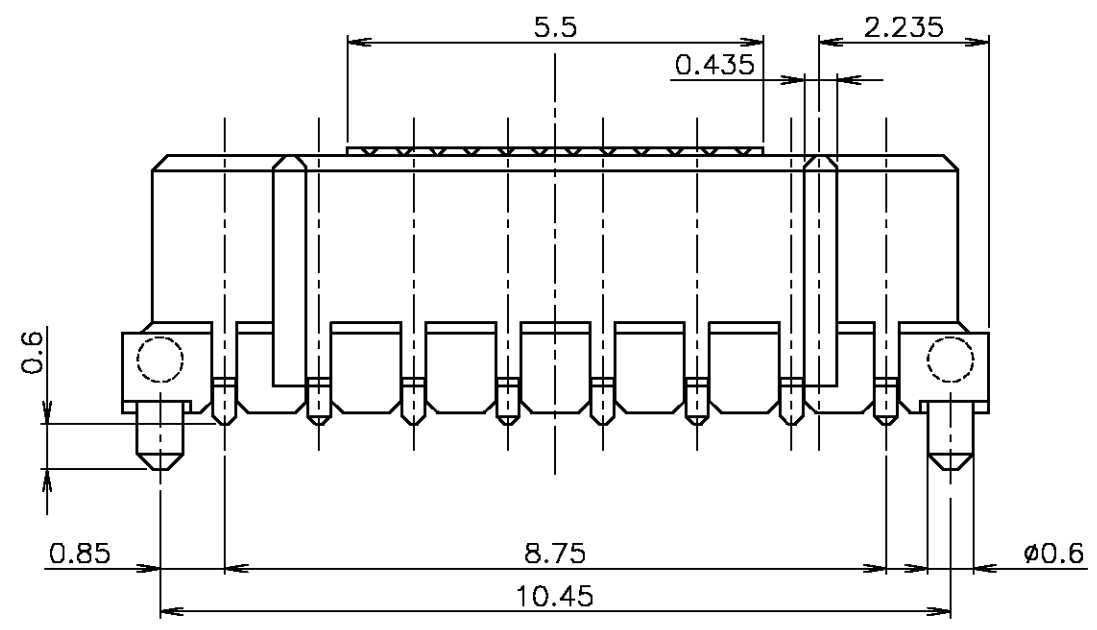


注記  
NOTES  
 1 基板位置決め用ボス切断跡。  
CUT MARK OF POSITIONER BOSS.

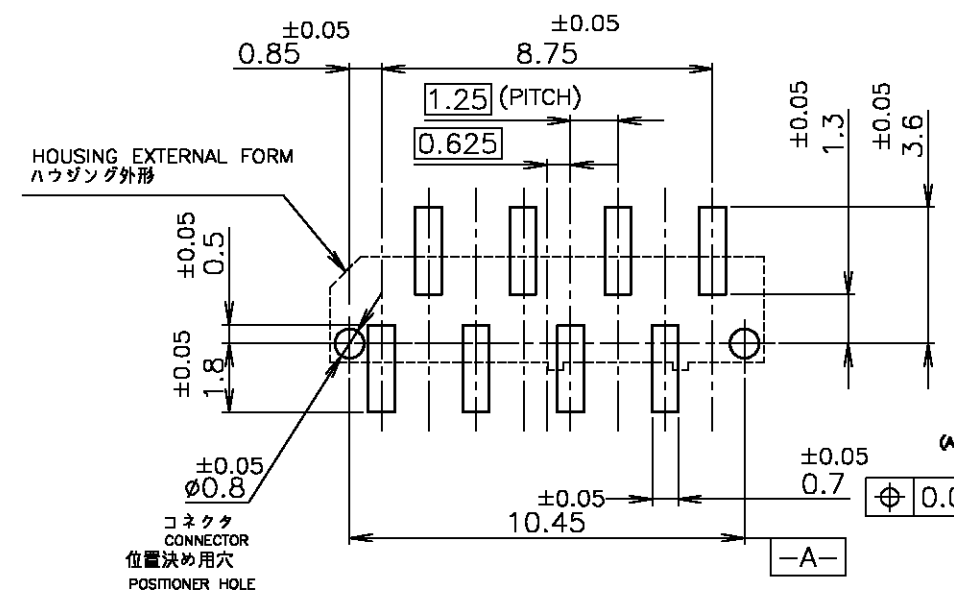


SECT "A"- "A"

REC HEADER HOUSING  
リセ・ヘッダー・ハウジング  
PPS  
(UL94V-0)  
REC CONTACT  
リセ・コンタクト  
(ニッケル下地 鍍めつき仕上げ 焼青銅)  
POST TIN PL  
NI UNDER PL. ALL OVER Phos-Broz  
板厚: 0.3t  
THK: 0.3t



本図: コネクタ図 (8極品)  
AS SHOWN : CONNECTOR DWG (8Pos.)



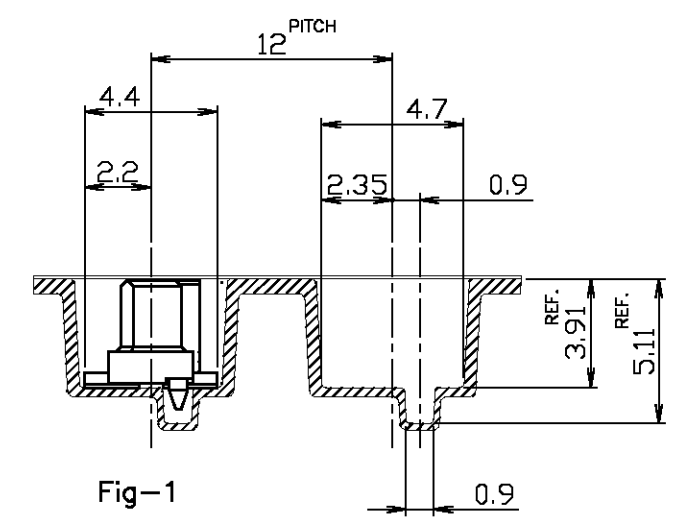
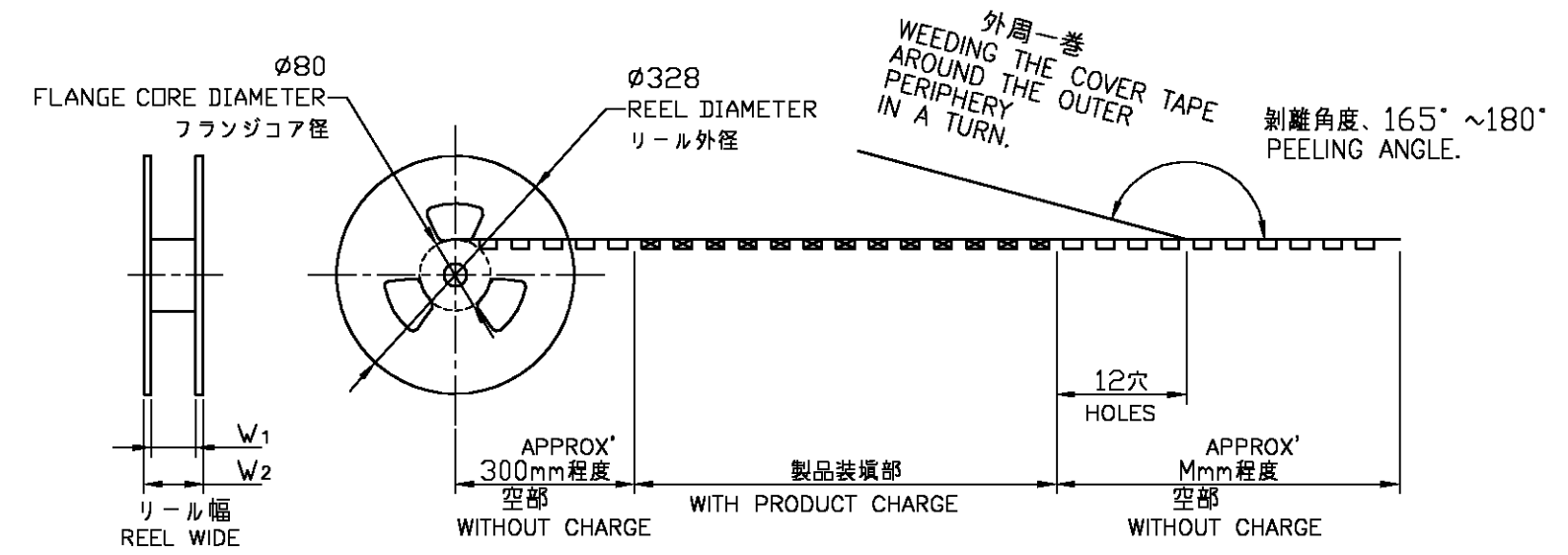
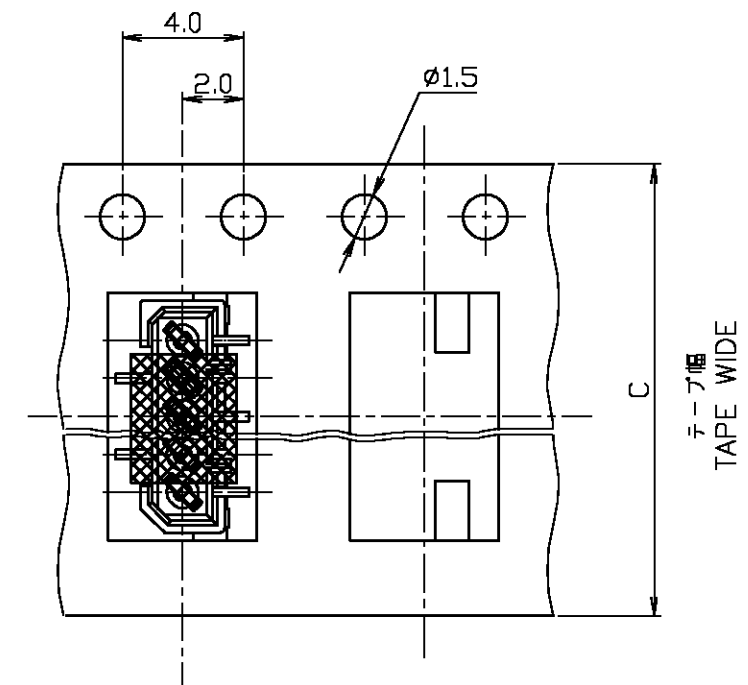
P.C.B MOUNTING LAYOUT  
基板加工寸法  
(適用基板厚: 0.6mm 最小)  
(APPLICABLE P.C.B THK : 0.6mm MIN)  
(SCALE 5-1)

吸着テープ付  
WITH POLYIMIDE TAPE

THIS DRAWING IS A CONTROLLED DOCUMENT.		DWN	Y.SHINO	17DEC04	Tyco Electronics AMP K.K. Kawasaki, Japan				
DIMENSIONS: MM		CHK	T.KUSUHARA	17DEC04					
TOLERANCES UNLESS OTHERWISE SPECIFIED:		APVD	H.MURAMATSU	17DEC04					
0 PLC ± 0.3 1 PLC ± 0.3 2 PLC ± 0.3 3 PLC ± 0.3 4 PLC ± 0.3 ANGLES ± 3°		PRODUCT SPEC		NAME					
MATERIAL		AS SHOWN 図中参照		FINISH		AS SHOWN 図中参照		1.25 F-P CONNECTOR (B-TO-B) SINGLE ROW REC HDR ASS'Y (V) SMT TYPE WITH BOSS, WITH POLYIMIDE TAPE	
AS SHOWN 図中参照		CUSTOMER DRAWING		SCALE	10:1	SHEET	1 OF 2	REV	0

THIS DRAWING IS UNPUBLISHED. RELEASED FOR PUBLICATION  
 © COPYRIGHT BY TYCO ELECTRONICS CORPORATION. ALL RIGHTS RESERVED.

LOC	DIST	REVISIONS					
J		P	LTR	DESCRIPTION	DATE	DWN	APVD
			-	SEE SHEET 1	-	-	-



引出し方向  
TOP OF REEL  
➔

吸着テープ付  
WITH POLYIMIDE TAPE

本図：エンボス梱包図（8極品）  
AS SHOWN : EMBOSS PACKING DWG (8Pos.)

24	29	26	1000	8
C	W2	W1	巻数 QTY/REEL	極数 Pos.

THIS DRAWING IS A CONTROLLED DOCUMENT.		DWN	Tyco Electronics AMP K.K. Kawasaki, Japan		
DIMENSIONS: MM		CHK	NAME		
TOLERANCES UNLESS OTHERWISE SPECIFIED:		APVD	1.25 F-P CONNECTOR (B-TO-B) SINGLE ROW REC HDR ASS'Y (V) SMT TYPE WITH BOSS, WITH POLYIMIDE TAPE		
MATERIAL		PRODUCT SPEC	SIZE	CAGE CODE	DRAWING NO
AS SHOWN 図中参照		APPLICATION SPEC	A3	00779	C-1827159
FINISH		WEIGHT	RESTRICTED TO		
AS SHOWN 図中参照		CUSTOMER DRAWING	SCALE	SHEET	REV
			10:1	2 OF 2	0