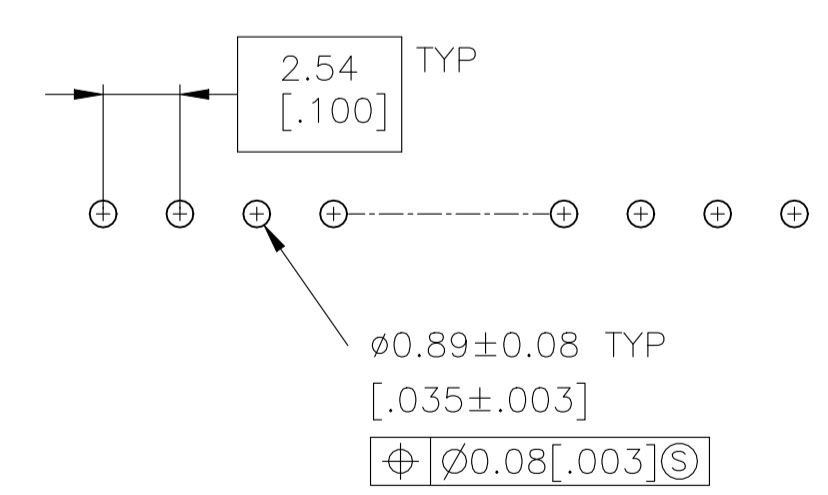
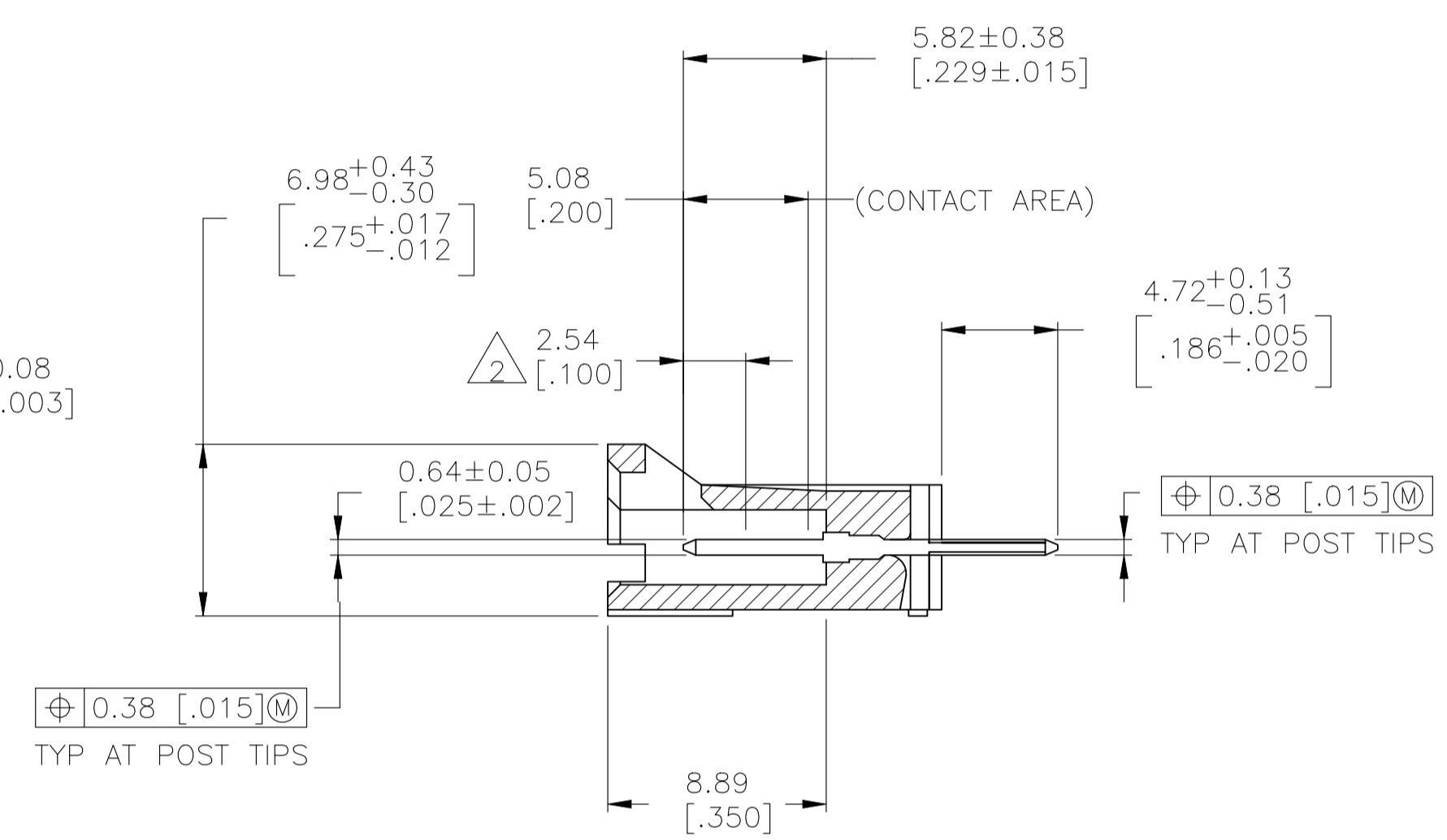
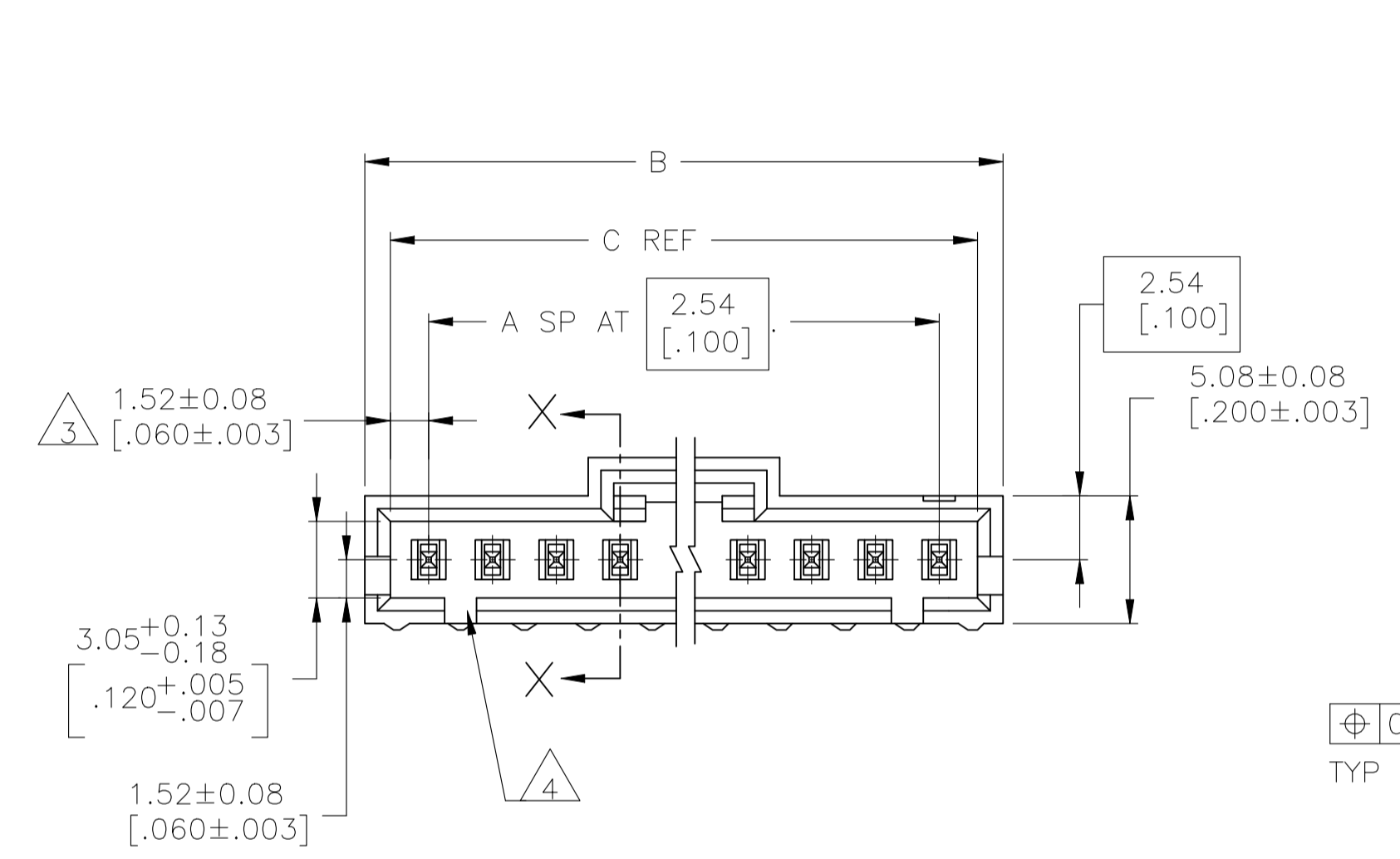
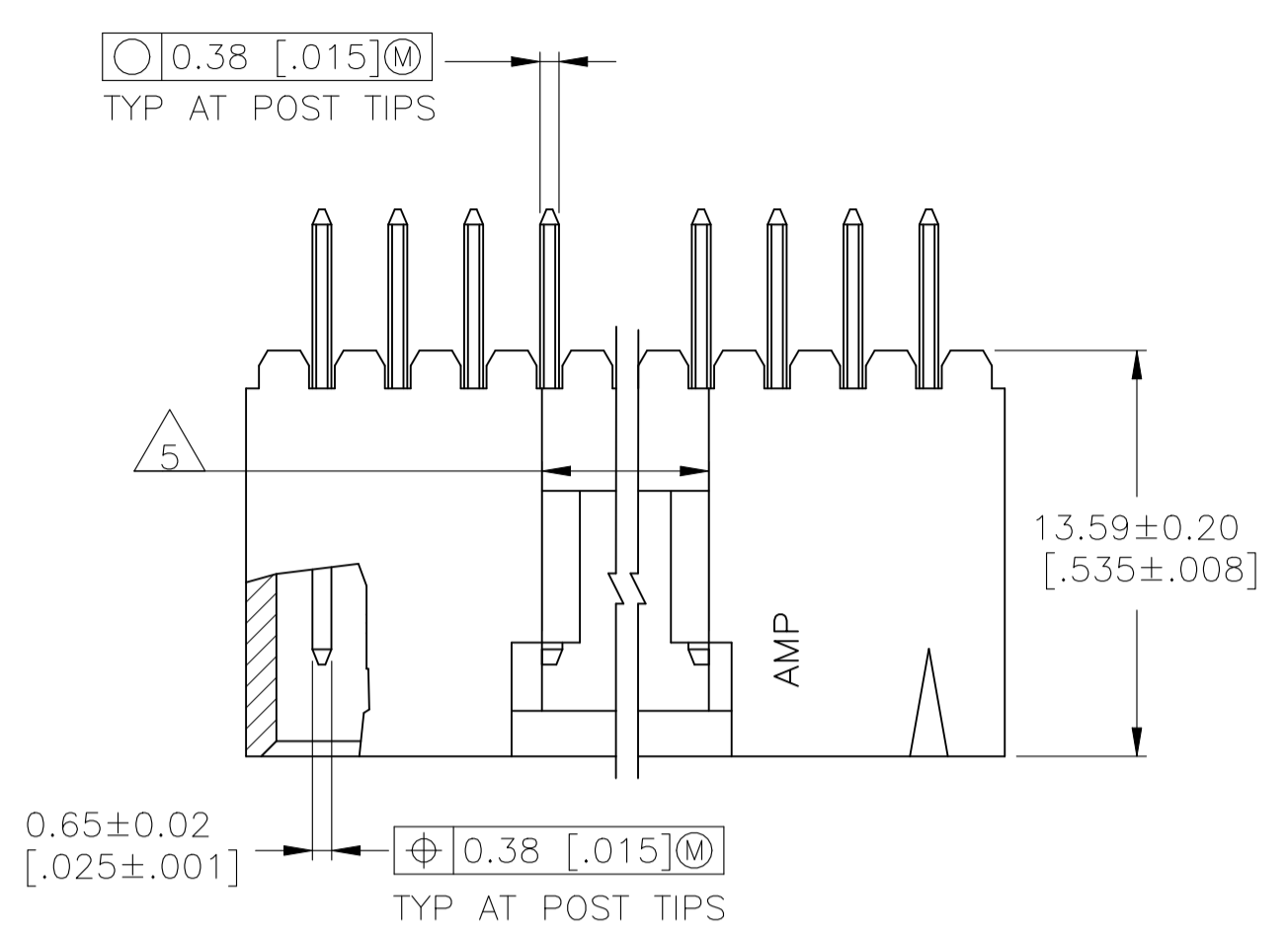


REVISIONS					
REV	DESCRIPTION	DATE	BY	APP'D	
C	REVISED PER ECO-20-001912	04JUN2020	SB	JO	

- 1 0.00076[.000030] GOLD IN THE CONTACT AREA, 0.00254[.000100] MATTE TIN-LEAD ON REMAINDER OF CONTACT, ALL OVER .00127[.000050] NICKEL.
- 2 POINT OF MEASUREMENT FOR PLATING THICKNESS.
- 3 THE NOTED DIMENSIONS APPLY AT THE INTERSECTION OF THE POST AND THE HOUSING.
- 4 ON ASSEMBLIES WITH FOUR OR MORE POSITIONS, TWO POLARIZATION SLOTS. ON ASSEMBLIES WITH TWO OR THREE POSITIONS, ONE POLARIZATION SLOT.
- 5 0.25 [.010] RECESS PERMISSIBLE IN THIS AREA FOR MOLD SHUT OFF



RECOMMENDED HOLE LAYOUT

1	18.28 [.720]	20.19 [.795]	6	7	1825533-2
1	36.07 [1.420]	37.97 [1.495]	13	14	1825533-1
PLATING	C	B	A	NO. OF POSN	PART NO.

THIS DRAWING IS A CONTROLLED DOCUMENT.

DIMENSIONS: mm [INCHES]	TOLERANCES UNLESS OTHERWISE SPECIFIED: 0. PLC ± - 1. PLC ± - 2. PLC ± 0.13[.005] 3. PLC ± - 4. PLC ± - ANGLES ± -	APPROVED: J. GESFORD 23JAN2006	NAME: HDR ASSY, VERT, SINGLE ROW 2.54[.100]C, 0.64[.025]SQ POST, WITH PLZN&LATCHING, AMPMODU MTE
MATERIAL: HOUSING: PLAIN PEEK LEAD: COPPER SOLDER: BLACK CONTACTS: BRASS	FINISH: SEE TABLE	WEIGHT: -	SIZE: A1 CAGE CODE: 00779 DRAWING NO: 1825533

CUSTOMER DRAWING SCALE: 4:1 SHEET 1 OF 1 REV C