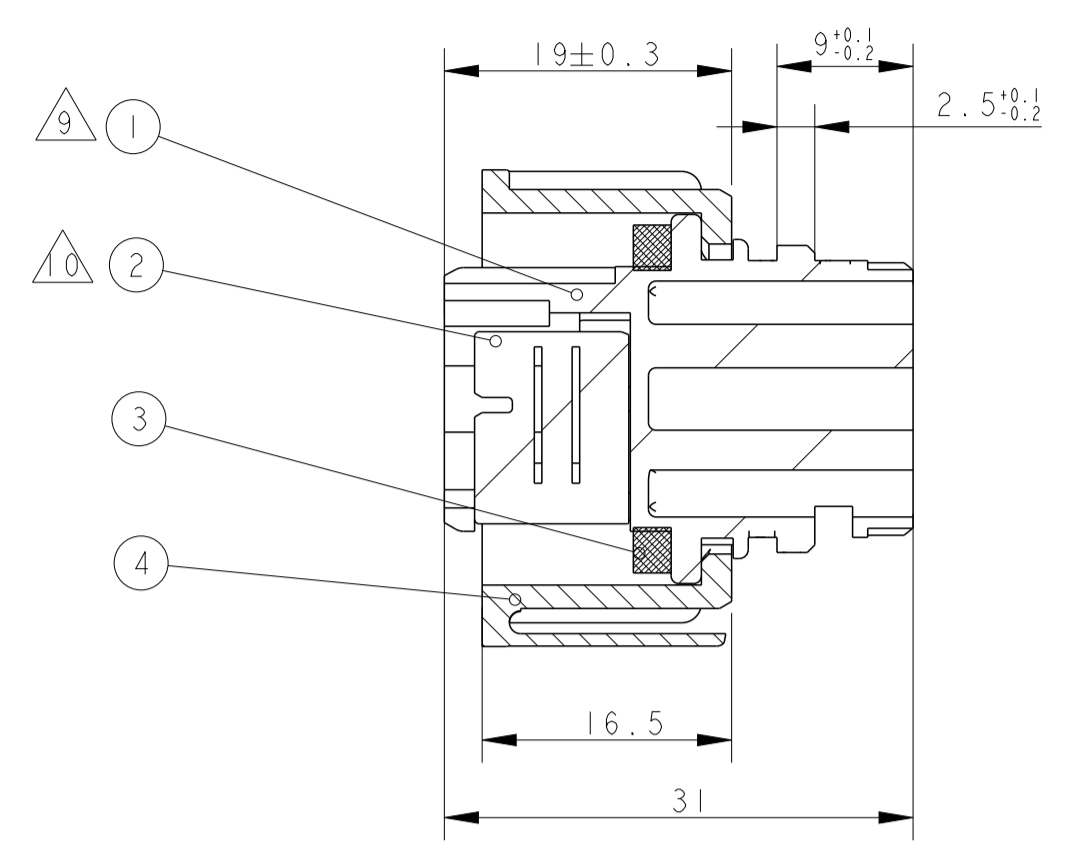
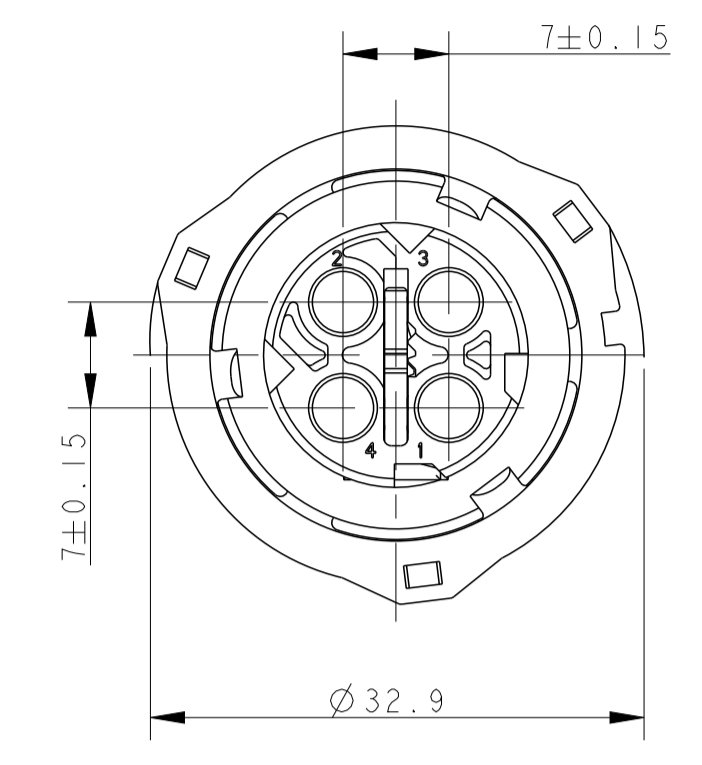


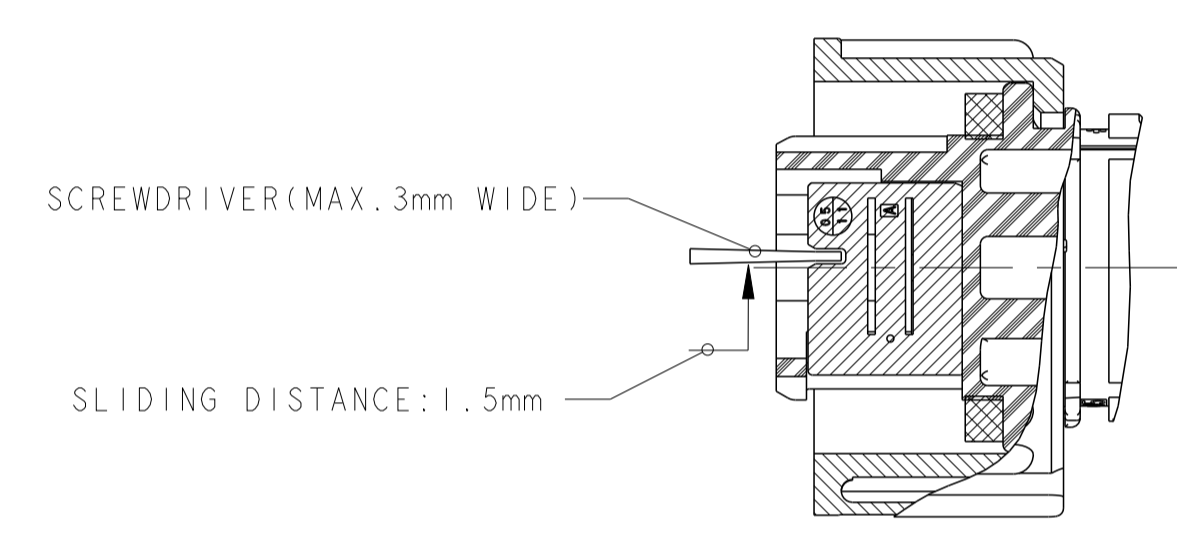
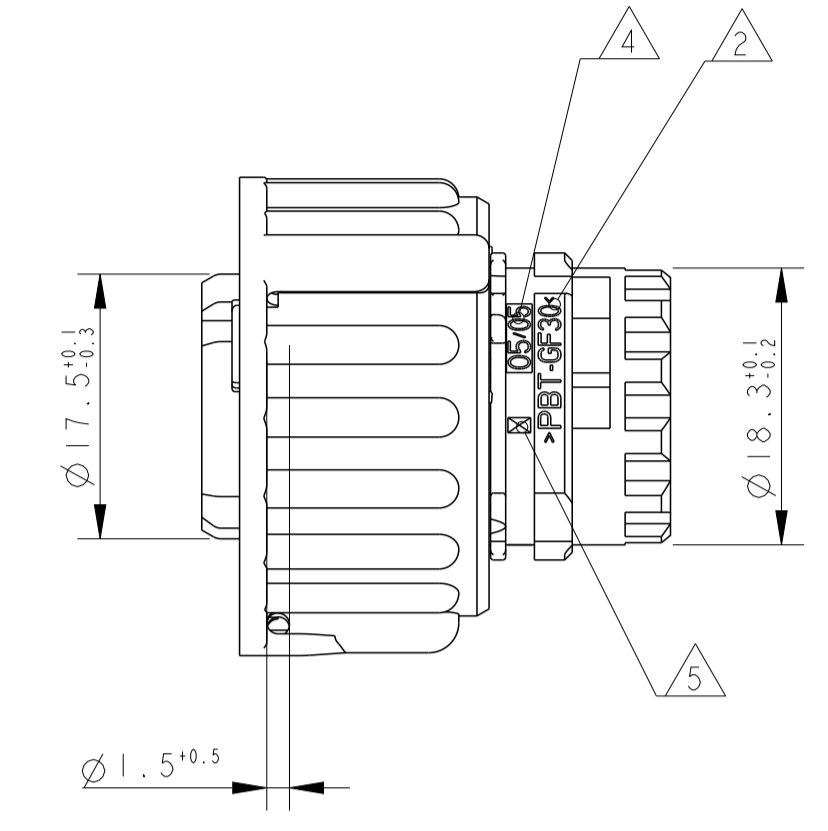
COUPLING RING IN PRE-LOCKED POSITION
 (FITTING POSITION WITH PIN HOUSING)



SECTION A-A



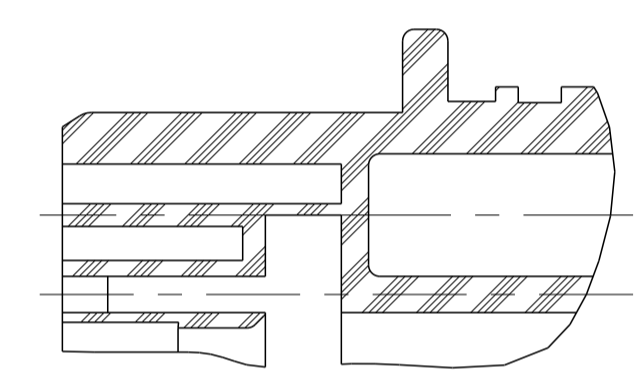
VIEW C ROTATED



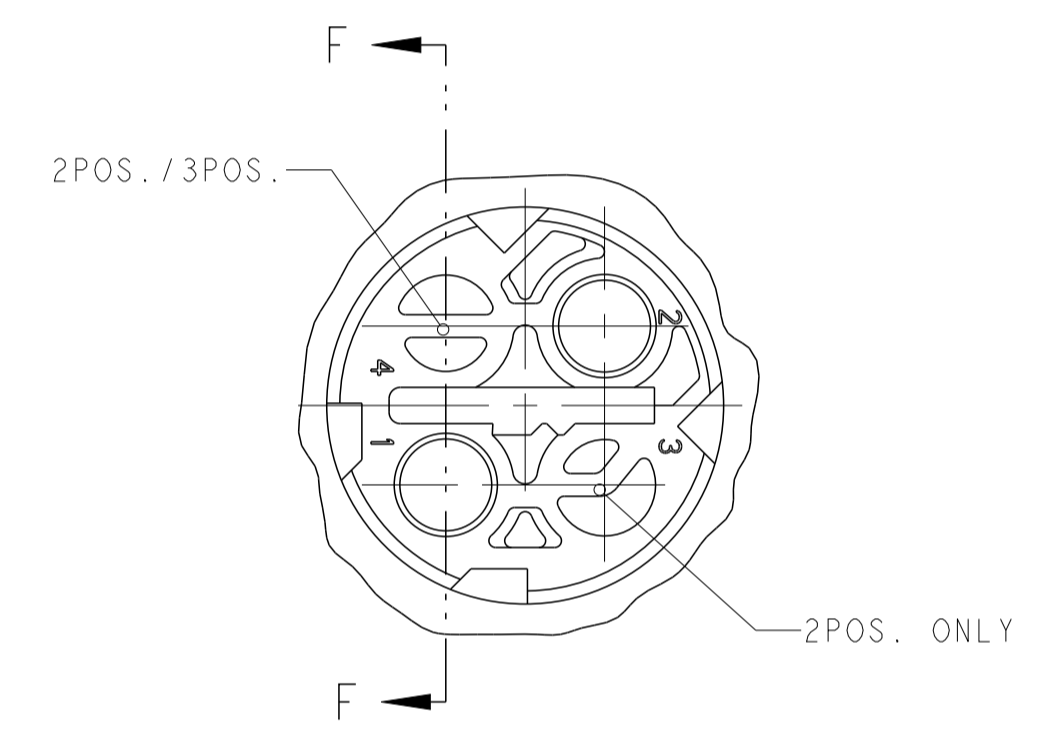
SECTION A-A

SECOND LOCKING DEVICE
 IN PRE-LOCKED POSITION

SECOND LOCKING DEVICE
 IN LOCKED POSITION

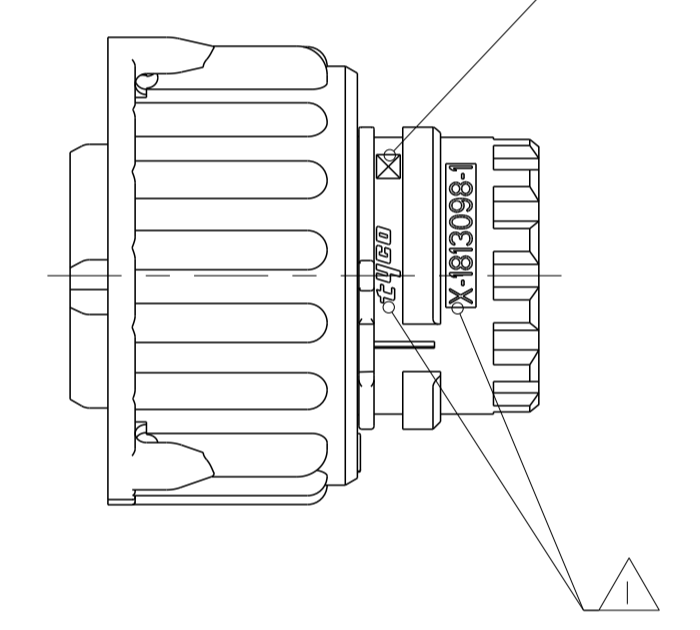


SECTION F-F



CLOSED CAVITY OF THE
 2POS./3POS. SOCKET HOUSING

VIEW D ROTATED



- NOTES:
- 1 TYCO LOGO AND TYCO NUMBER OF SINGLE PART
 - 2 MATERIAL MARKING, EXCHANGEABLE
 - 3 REVISION OF THE MOULD
 - 4 PRODUCTION DATE
 - 5 CAVITY MARKING
 - 6. FITS TO CONNECTORS ACC. TO DIN 72585/ISO 15170 FORM A AND B AND PIN-HOUSING 2-4POS. TYCO-PN 967402
 - 7. FOR SUITABLE CONTACTS SEE DRAWING: TYCO-PN: 1355065. MAX. WIRE THICKNESS: 2.5mm FLR. FOR SUITABLE SEALS SEE DRAWING: TYCO-PN: 1355070
 - 8. BULK PACKING IN CARDBOARD BOX
 - 9 CODING ACC. TO DIN 72585/ISO15170
 - 10 SECONDARY LOCK IS ONLY AVAILABLE FOR 1-1813099-X, 2-1813099-X, 3-1813099-X, 4-1813099-X. DETAIL SEE TABLE.

REV	DATE	BY	CHK	APPV	MATERIAL	COLOR	DESCRIPTION	ITEM
					PA6-GF35	BLACK	COUPLING RING	4
					PA6-GF35	BLACK	COUPLING RING	4
					SILICONE RUBBER	ORANGE	SEAL	3
					PBT-G30	YELLOW	SECOND LOCKING DEVICE	2
					PBT-GF30	BLUE	2POS. SOCKET HOUSING (BLUE)	1
					PBT-GF30	BLUE	3POS. SOCKET HOUSING (BLUE)	1
					PBT-GF30	BLUE	4POS. SOCKET HOUSING (BLUE)	1
					PBT-GF30	GREEN	2POS. SOCKET HOUSING (GREEN)	1
					PBT-GF30	GREEN	3POS. SOCKET HOUSING (GREEN)	1
					PBT-GF30	GREEN	4POS. SOCKET HOUSING (GREEN)	1
					PBT-GF30	GREY	2POS. SOCKET HOUSING (GREY)	1
					PBT-GF30	GREY	3POS. SOCKET HOUSING (GREY)	1
					PBT-GF30	GREY	4POS. SOCKET HOUSING (GREY)	1
					PBT-GF30	BLACK	2POS. SOCKET HOUSING (BLACK)	1
					PBT-GF30	BLACK	3POS. SOCKET HOUSING (BLACK)	1
					PBT-GF30	BLACK	4POS. SOCKET HOUSING (BLACK)	1
					MATERIAL	COLOR	DESCRIPTION	ITEM

THIS DRAWING IS A CONTROLLED DOCUMENT.

DWG: A.ZHANG 03JUN2005
 CHK: R.ZHOU 25OCT2005

TE Connectivity

2.5mm SOCKET CONNECTOR 2-4POS WITH SECONDARY LOCKING

SCALE: 3:1 SHEET 1 OF 1 REV: B2