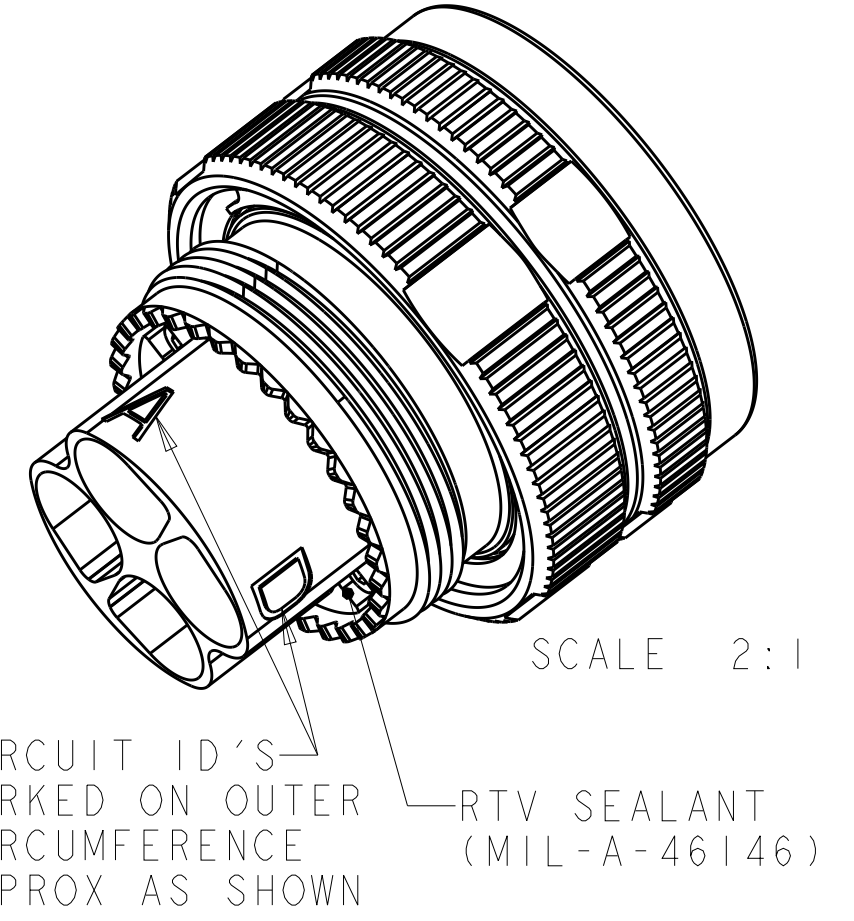
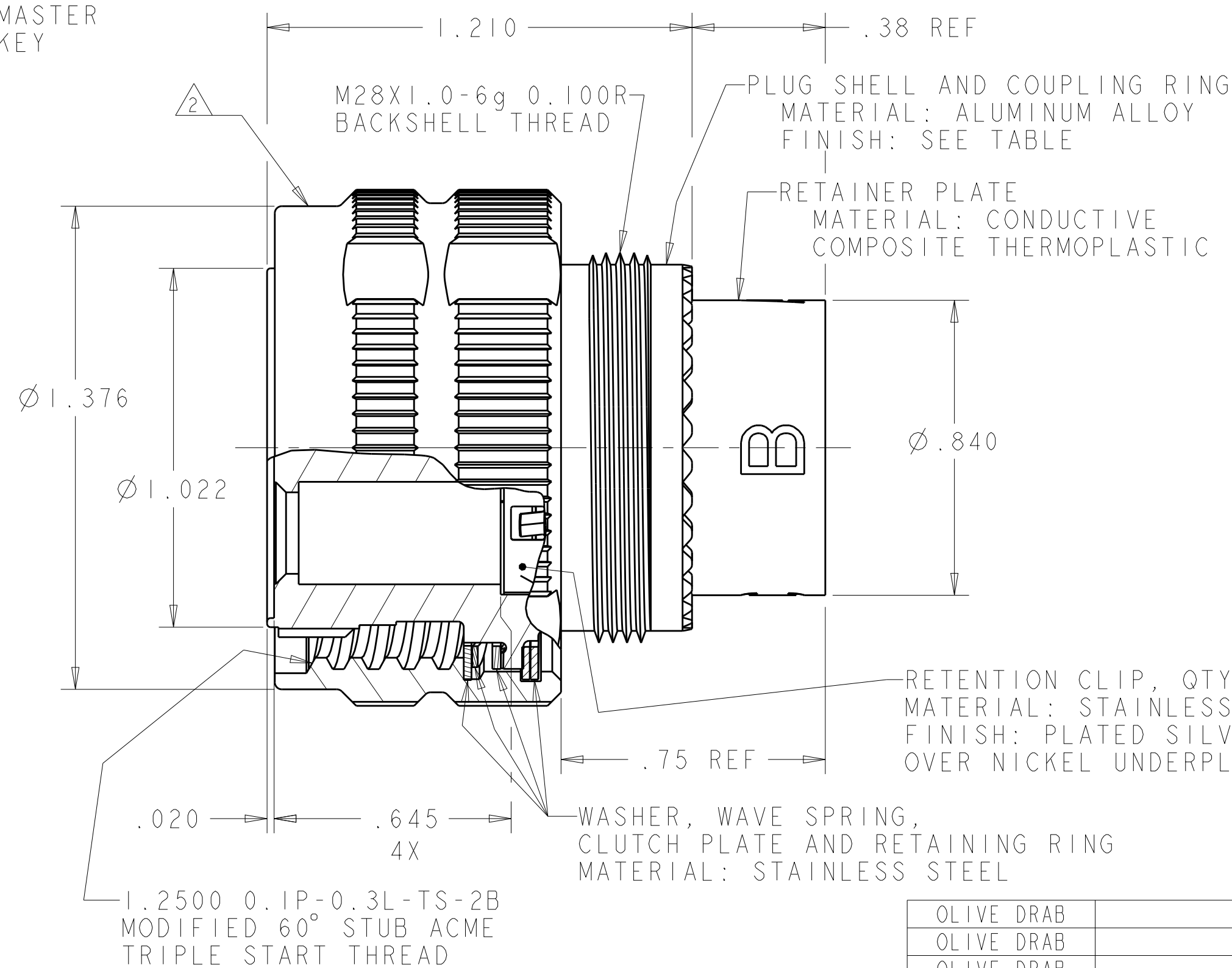
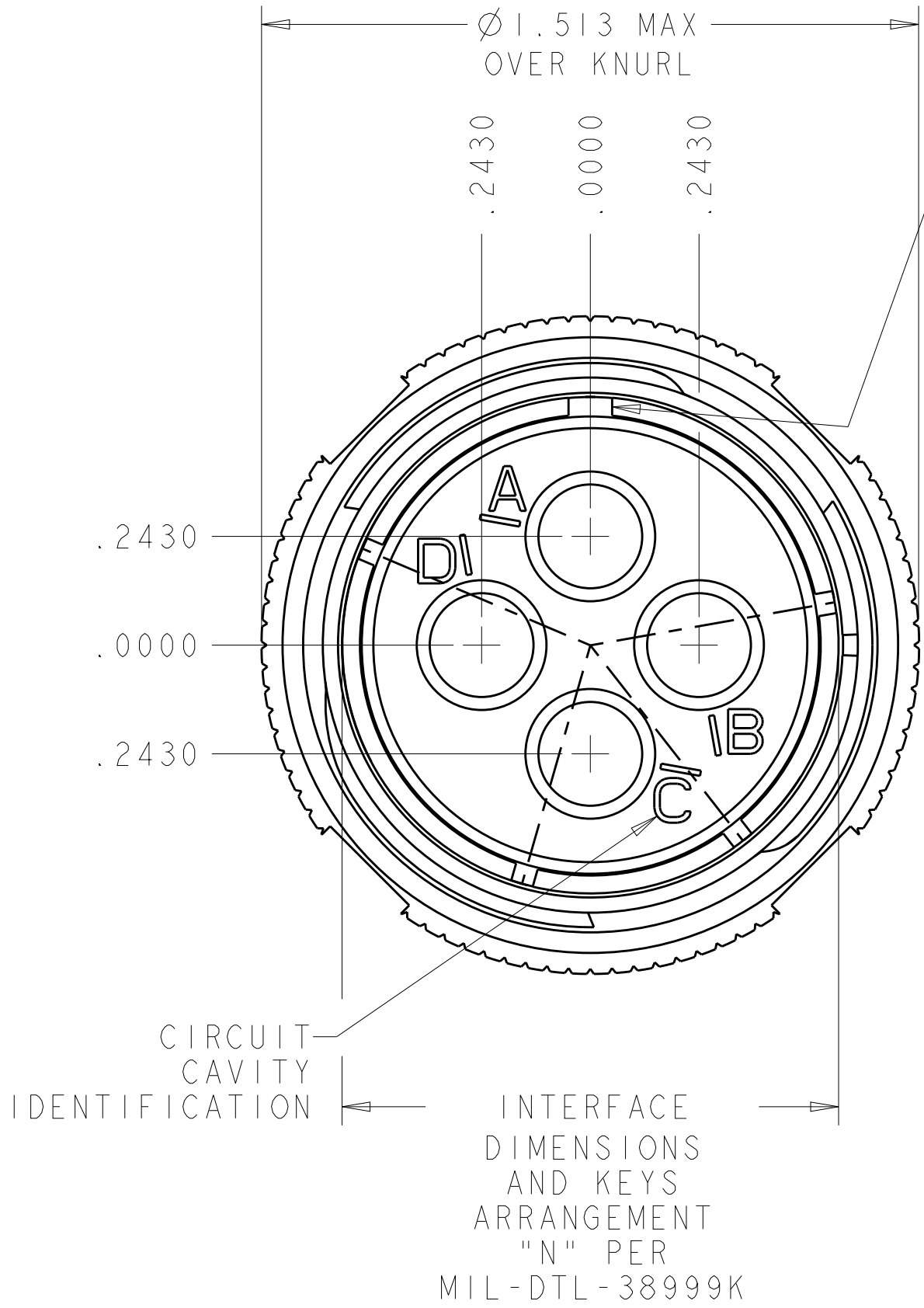


THIS DRAWING IS UNPUBLISHED. RELEASED FOR PUBLICATION 20
 © COPYRIGHT 20 BY - ALL RIGHTS RESERVED.

REVISIONS				
P	LTR	DESCRIPTION	DATE	APVD
E1		REV PER ECO 14-002547	4-24-14	CT DM



OLIVE DRAB	-	B	1-1811902-9
OLIVE DRAB	-	A	1-1811902-8
OLIVE DRAB	-	N	1-1811902-7
NICKEL	1877040-2	B	1-1811902-5
NICKEL	1877040-2	A	1-1811902-4
NICKEL	1877040-2	N	1-1811902-3
OLIVE DRAB	1445693-3	B	1-1811902-2
OLIVE DRAB	1445693-3	A	1-1811902-1
OLIVE DRAB	1445693-3	N	1-1811902-0
NICKEL	-	B	1811902-9
NICKEL	-	A	1811902-8
NICKEL	-	N	1811902-7
NICKEL	1445693-3	B	1811902-3
NICKEL	1445693-3	A	1811902-2
NICKEL	1445693-3	N	1811902-1
SHELL FINISH	QUADRAX CONTACT QTY=4	SHELL KEYING ARRANGEMENT	PART NUMBER

- THIS CONNECTOR ACCEPTS TYCO ELECTRONICS QUADRAX SOCKET ASSEMBLY; PART NUMBER 1445693-3 OR 1877040-2.
- PART IS MARKED WITH TE PART NO. (SEE TABLE), TE LOGO OR TE, TYCO ELECTRONICS CAGE CODE, AND DATE CODE.
- OPERATING TEMPERATURE RANGE: -65°C TO +125°C (-85°F TO +257°F).
- THE CONNECTOR QUALIFICATION WAS COMPLETED PER TYCO ELECTRONICS 108-2199. THE QUADRAX CONTACTS ARE QUALIFIED PER TYCO ELECTRONICS 108-2131. THE REFERENCE TEST REPORTS ARE TYCO ELECTRONICS 501-660 FOR THE CONNECTOR AND 501-574 FOR THE CONTACTS WHICH ARE SAME AS ARINC 600-13, DRAFT 2 OF SUPPLEMENT 14 (AIR TRANSPORT AVIONICS EQUIPMENT INTERFACES).

THIS DRAWING IS A CONTROLLED DOCUMENT.

DWN	R FLAIG	02AUG2005
CHK	L OH	02AUG2005
APVD	L OH	02AUG2005

STE TE Connectivity

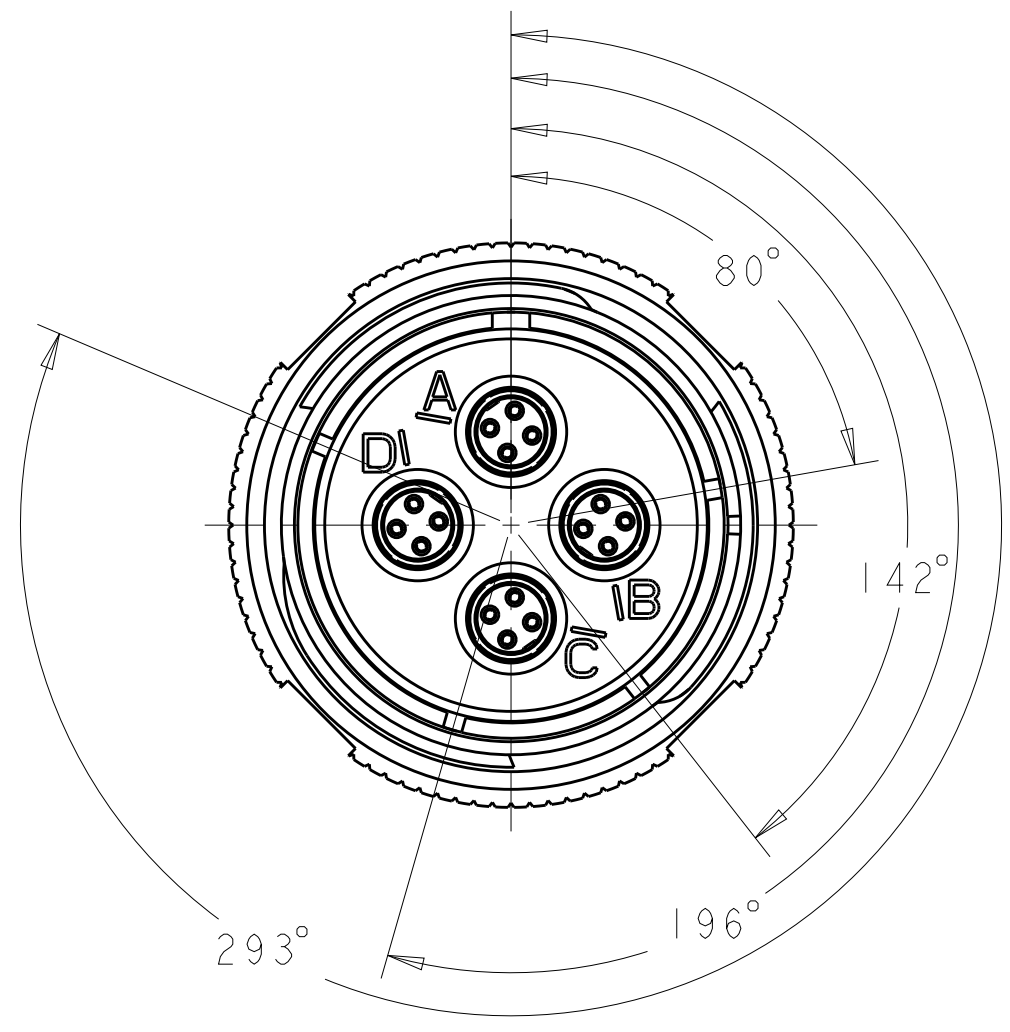
NAME: ASSY, PLUG, SIZE 19, 404, M38999 STYLE

SIZE: A2 CAGE CODE: - DRAWING NO: C-1811902 RESTRICTED TO: -

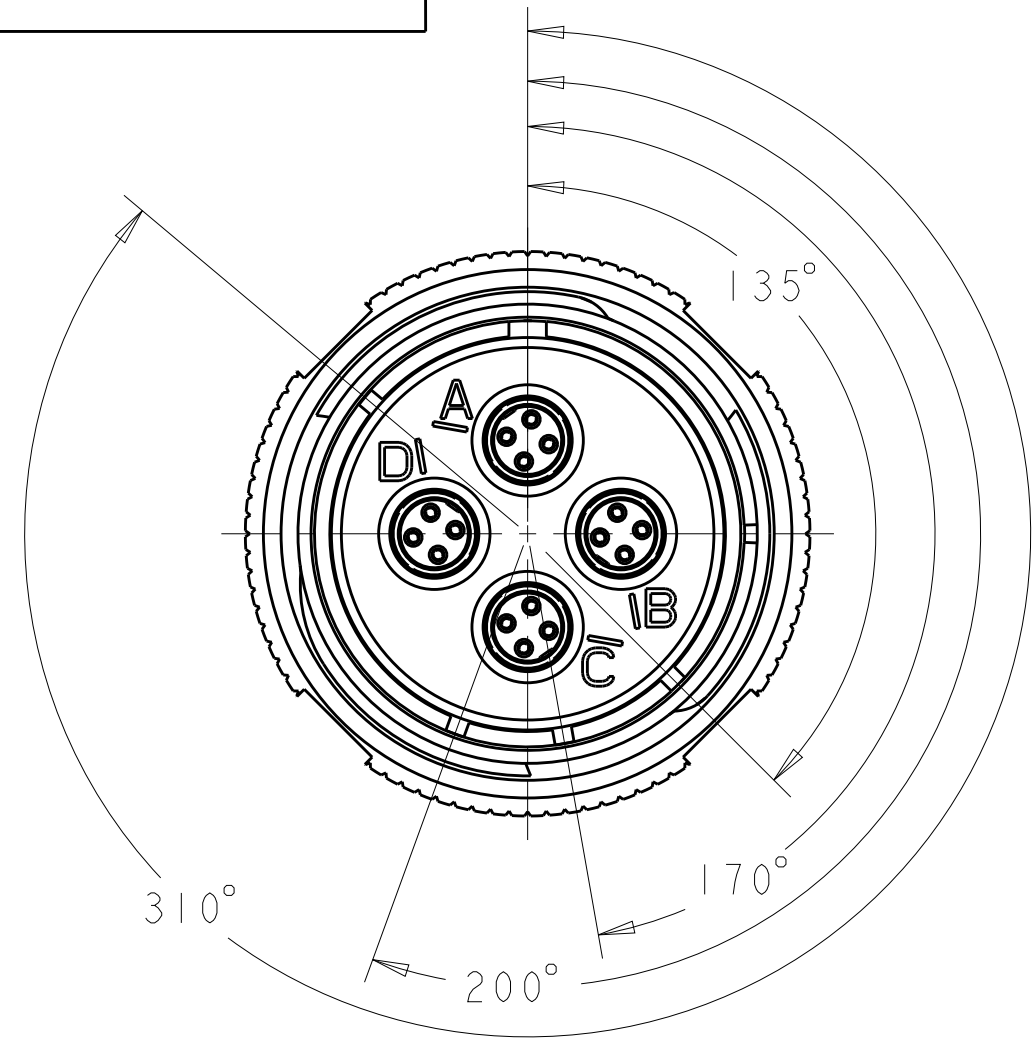
CUSTOMER DRAWING SCALE: 3:1 SHEET: 1 OF 2 REV: E1

THIS DRAWING IS UNPUBLISHED. RELEASED FOR PUBLICATION 20
 © COPYRIGHT 20 BY - ALL RIGHTS RESERVED.

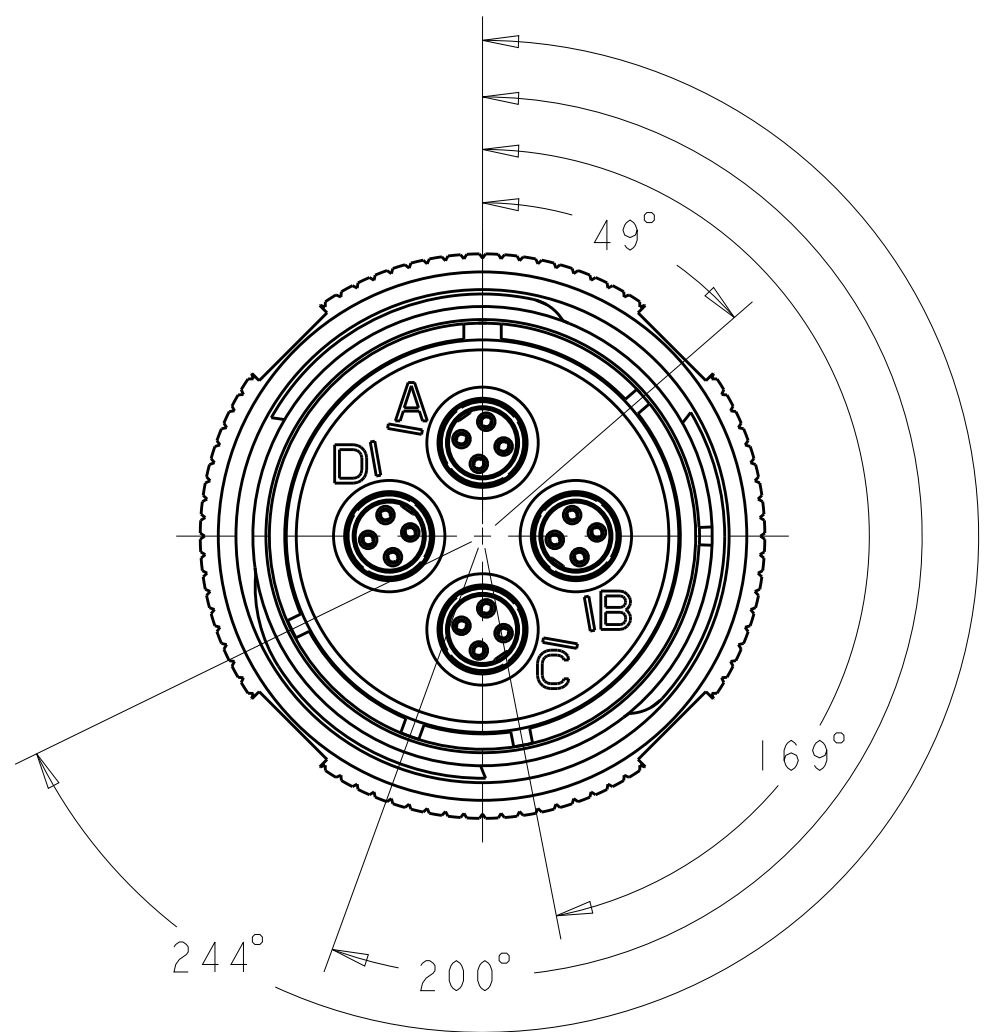
REVISIONS				
P	LTR	DESCRIPTION	DATE	APVD
-	-	SEE SHEET 1	-	-



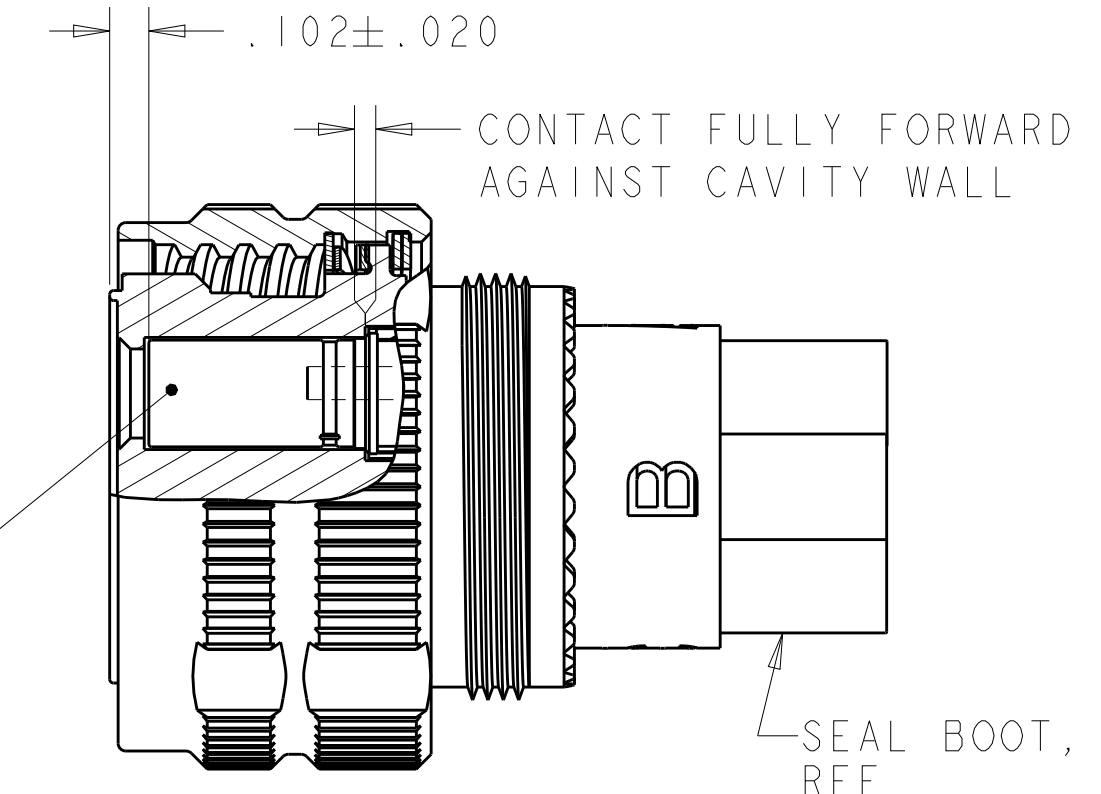
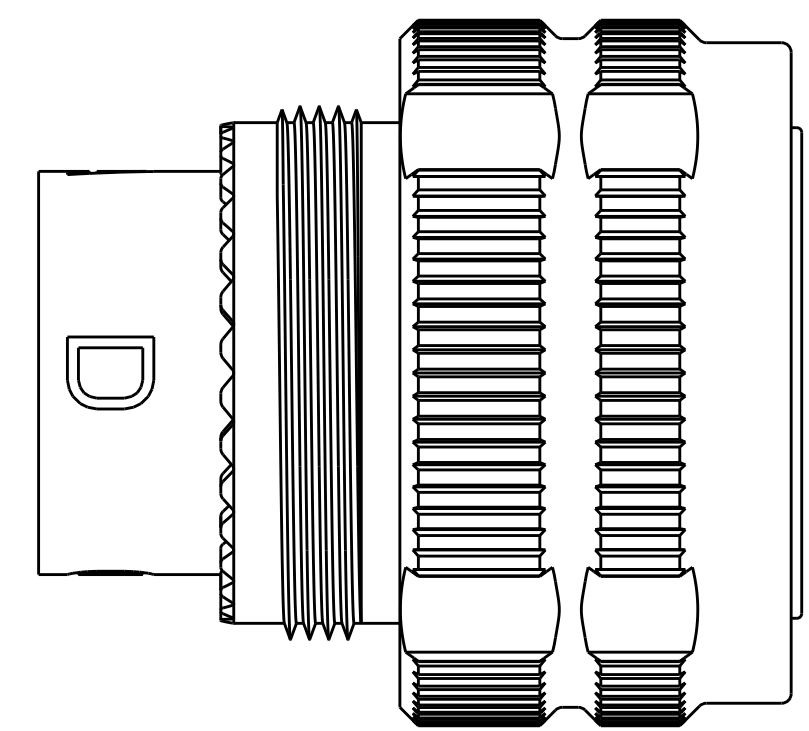
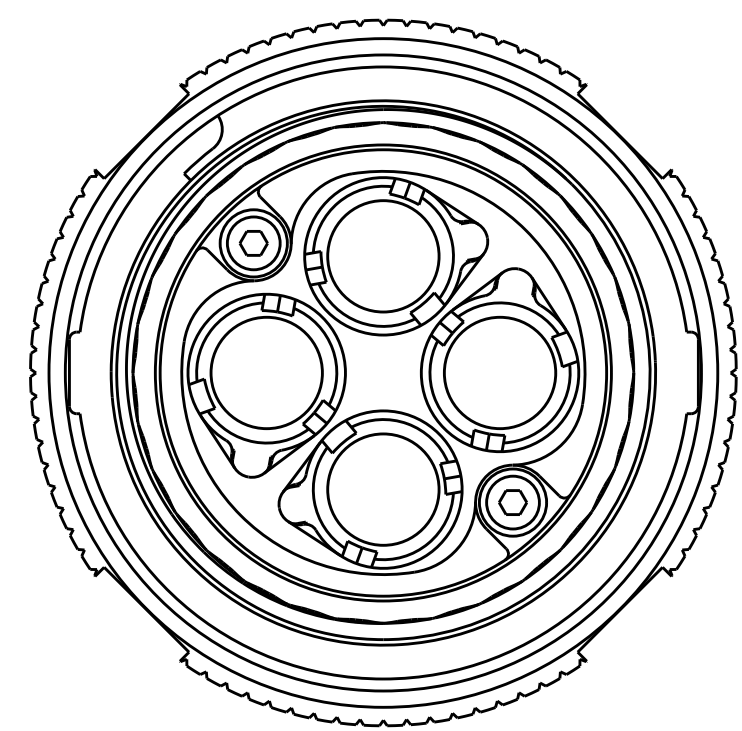
1811902-1
"N" KEY POLARIZATION



1811902-2
"A" KEY POLARIZATION




1811902-3
"B" KEY POLARIZATION



QUADRAX SOCKET ASSY,
 SHOWN FOR REF ONLY
 -1, -2, -3, -10, -11,
 -12, -13, -14, & -15 CONTACT PROVIDED UN-ASSEMBLED
 -7, -8, & -9 CONTACT SOLD SEPARATELY

SECTION Y-Y
 SCALE 2:1

THIS DRAWING IS A CONTROLLED DOCUMENT.		DWN R FLAIG	02AUG2005	 TE Connectivity	
DIMENSIONS: INCHES		CHK L OH	02AUG2005		
TOLERANCES UNLESS OTHERWISE SPECIFIED:		APVD L OH	02AUG2005	NAME ASSY, PLUG, SIZE 19, 404, M38999 STYLE	
0 PLC ±.1	1 PLC ±.01	PRODUCT SPEC	-	SIZE	A2
2 PLC ±.005	3 PLC ±.0020	APPLICATION SPEC	-	CAGE CODE	-
4 ANGLES ±1°	FINISH	WEIGHT	-	DRAWING NO	G-1811902
MATERIAL	-	CUSTOMER DRAWING	-	RESTRICTED TO	-
SCALE 3:1			SHEET 2 OF 2	REV E1	