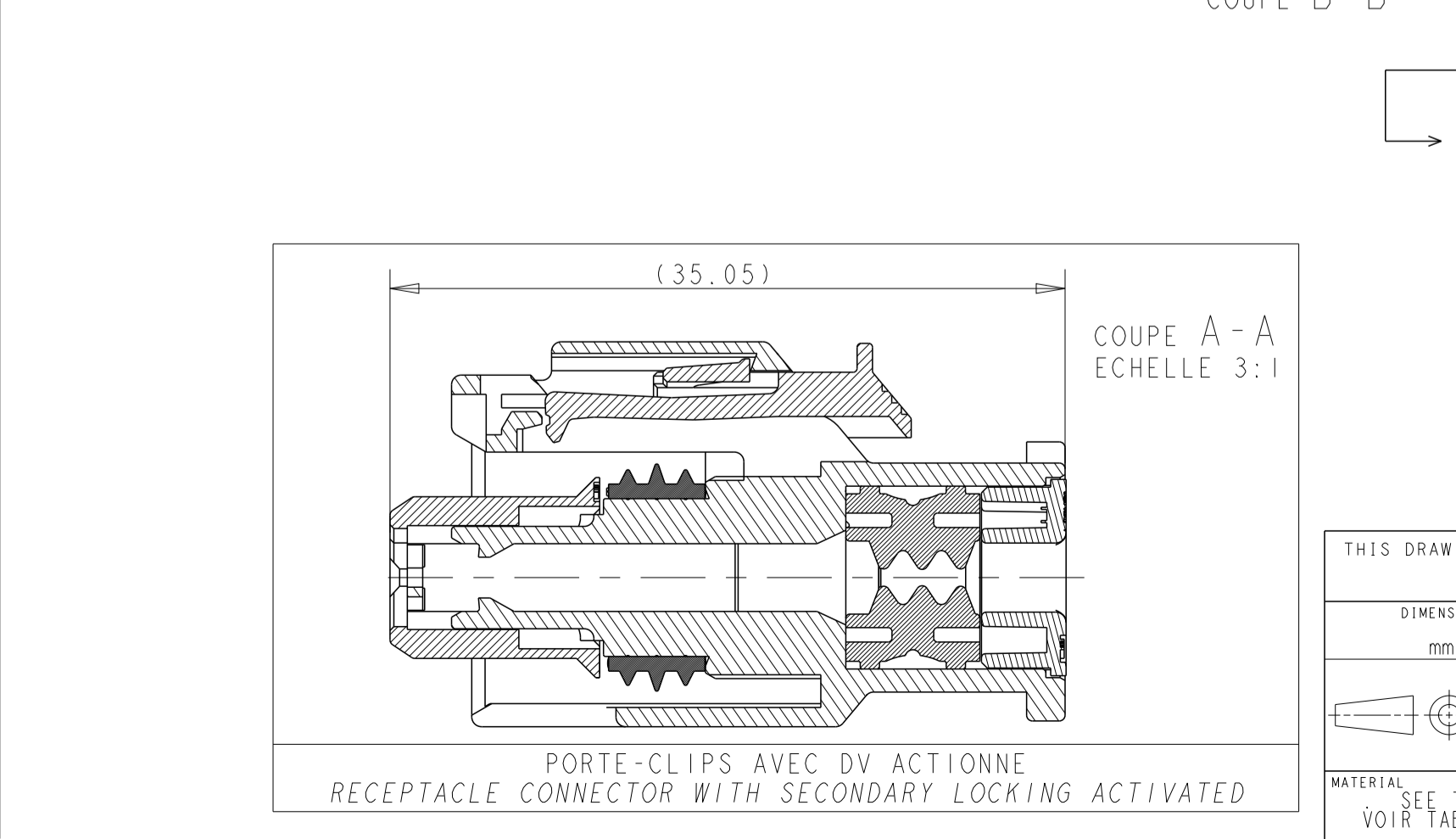
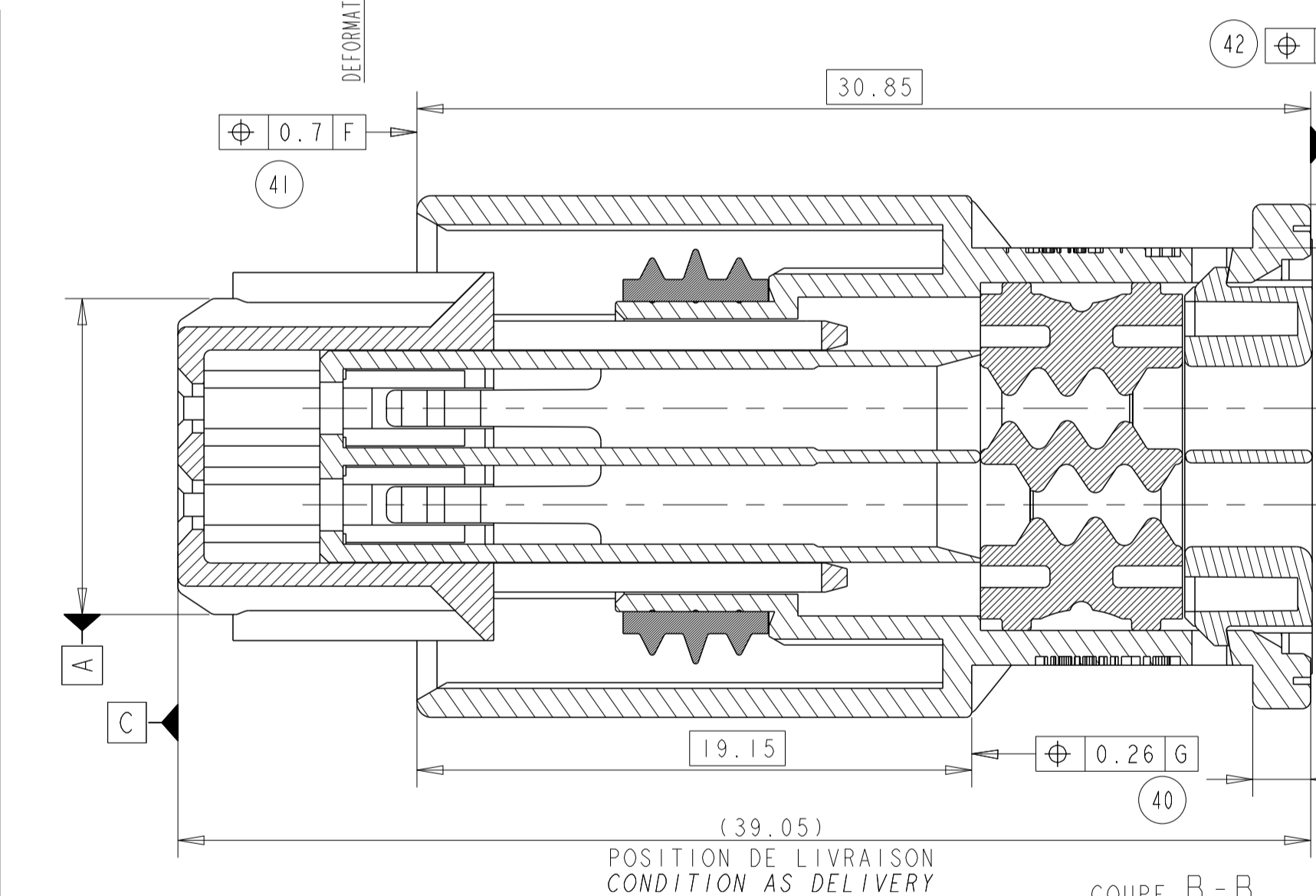
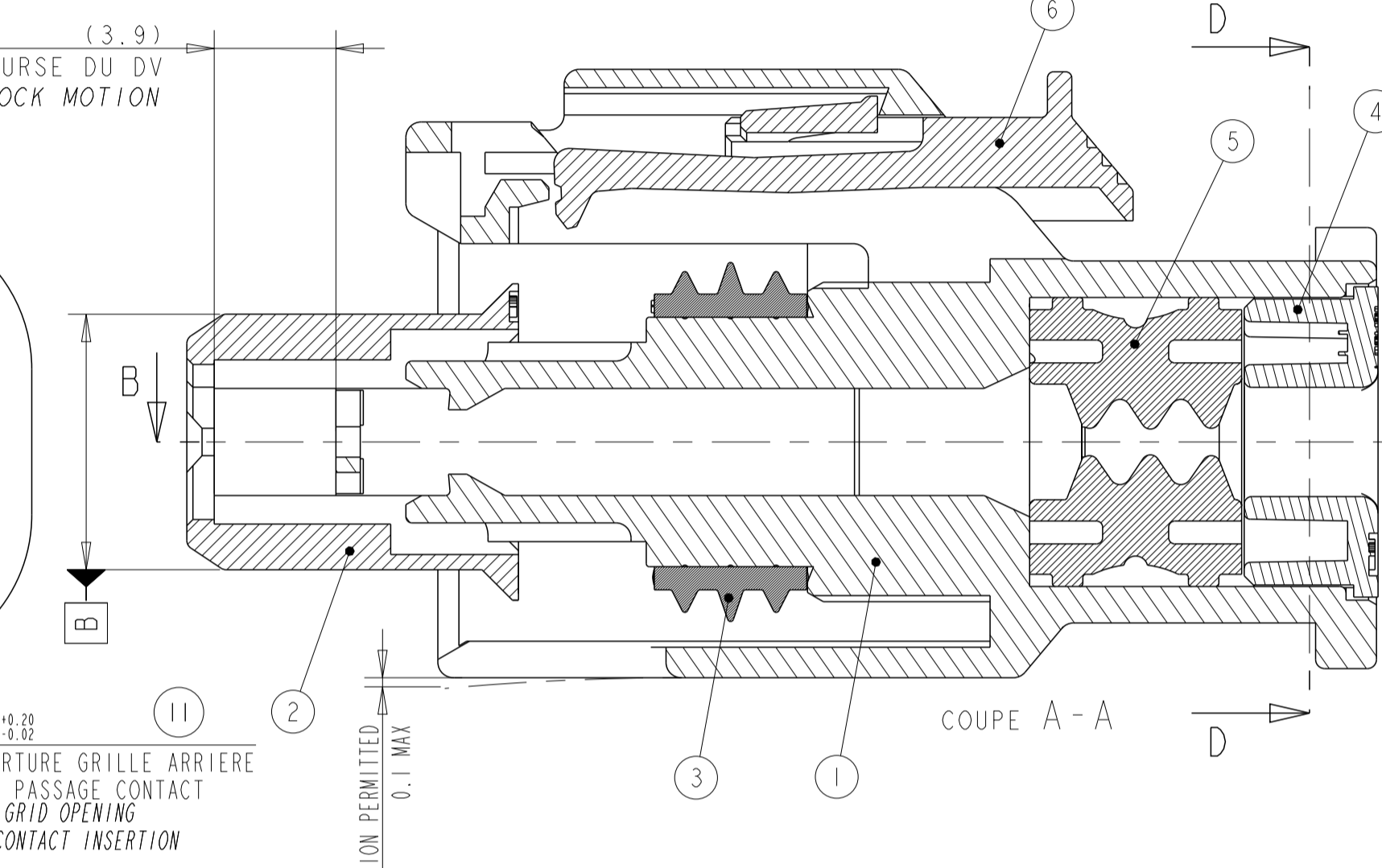
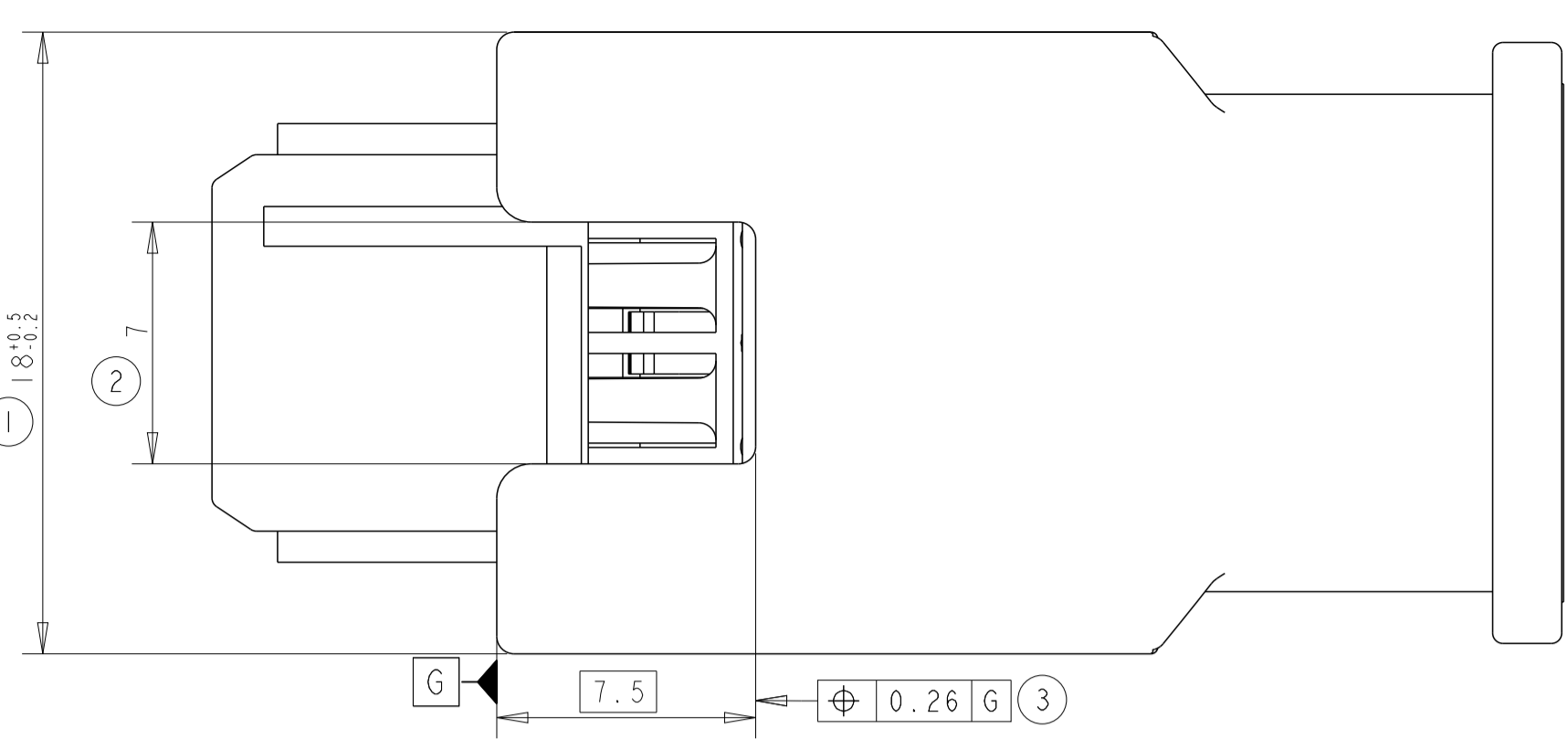
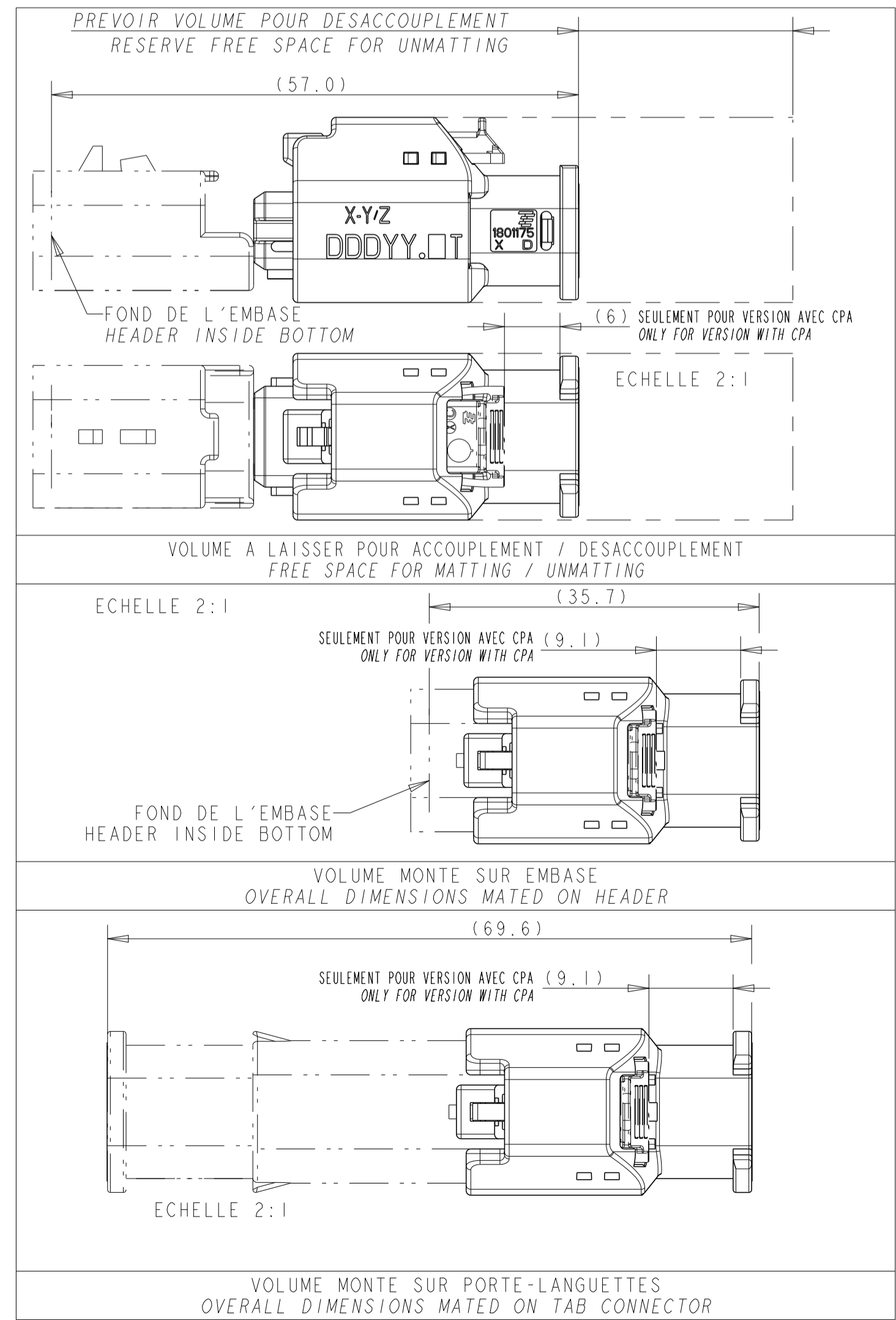
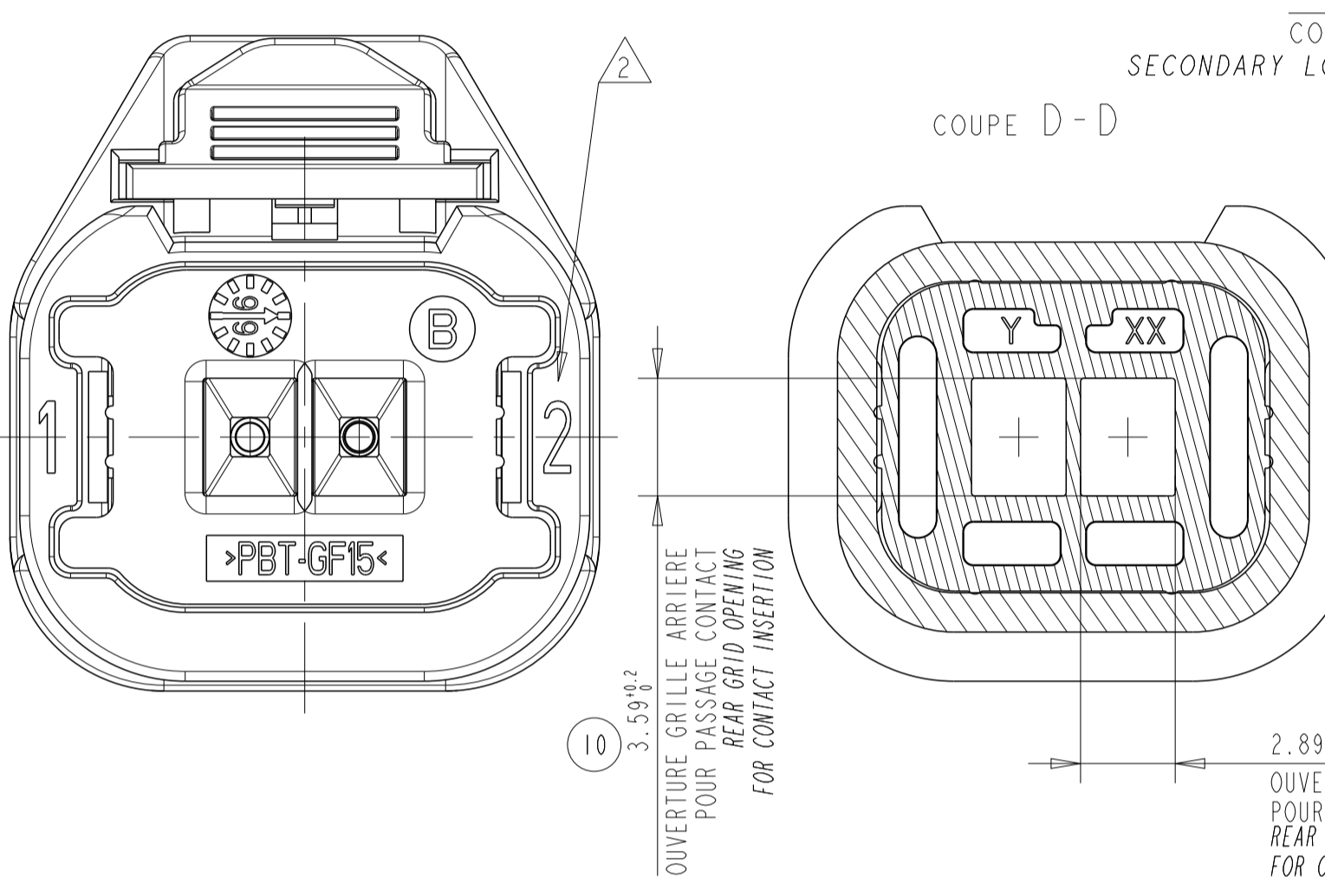
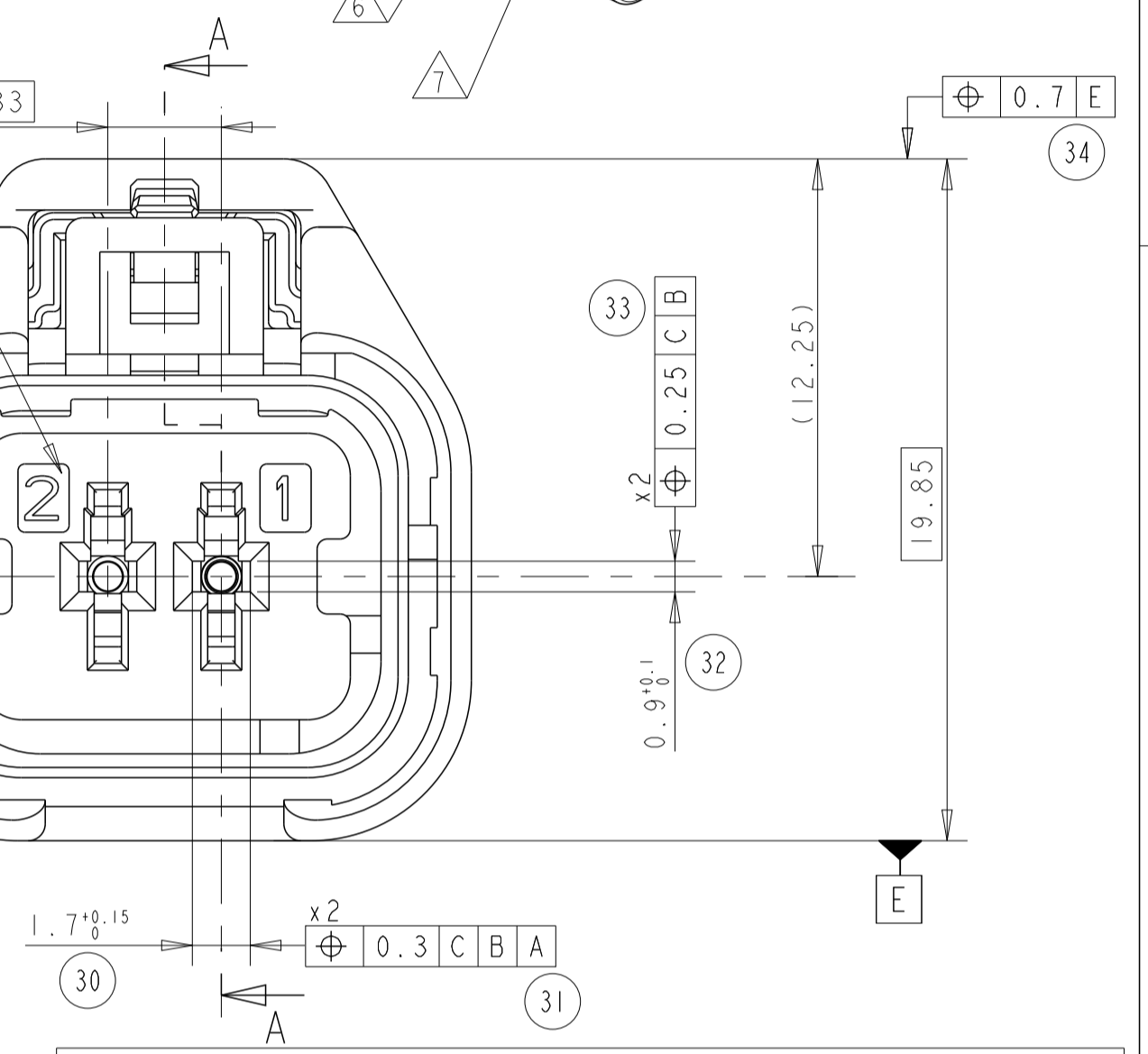
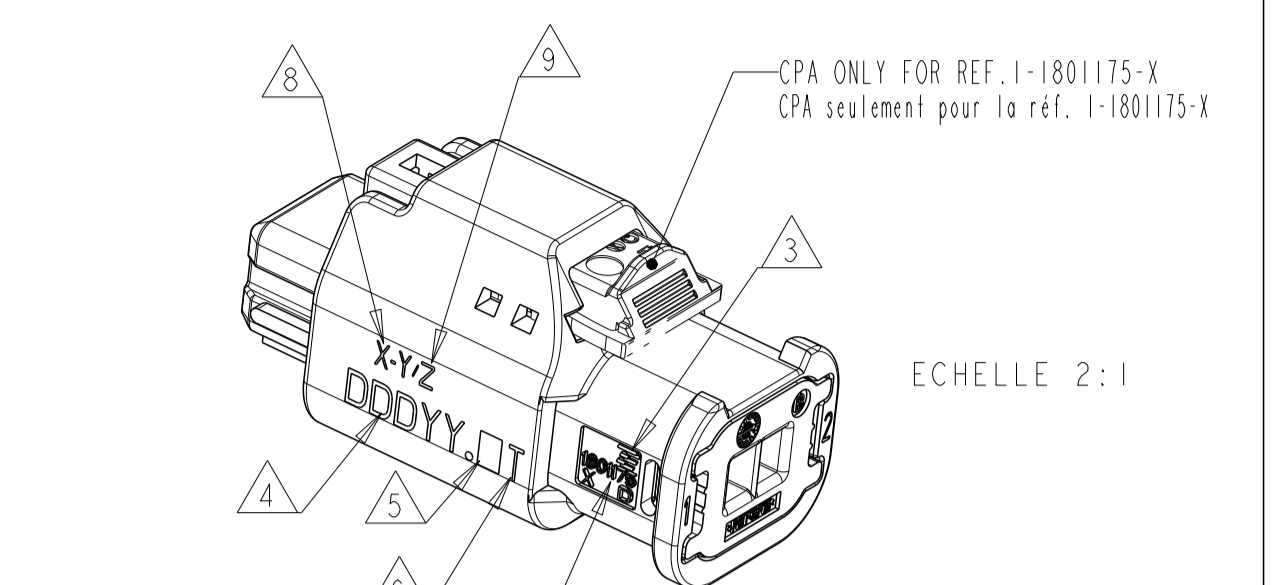


SANS CPA WITHOUT CPA		AVEC CPA WITH CPA		COULEUR COLOR	TOLERANCE POUR DETROMPAGE: ±0.05 KEYING TOLERANCE
REF TE NO.	INDICE DE REVISION PRODUCT REVISION NUMBER	REF TE NO.	INDICE DE REVISION PRODUCT REVISION NUMBER		
1801175-1	E	1-1801175-1	F	NOIR BLACK	
1801175-2	E	1-1801175-2	F	BLEU BLUE	
1801175-3	E	1-1801175-3	F	GRIS GREY	
1801175-4	E	1-1801175-4	F	JAUNE YELLOW	
1801175-5	E	1-1801175-5	F	VERT GREEN	
1801175-6	E	1-1801175-6	F	MARRON BROWN	
1801175-7	E	1-1801175-7	F	BLANC WHITE	
1801175-8	E	1-1801175-8	F	ROUGE RED	
1801175-9	E	1-1801175-9	F	ORANGE ORANGE	

- NOTES/NOTES:
- 1- 1-1801175-1 REPRESENTE (COD. NOIR) / AS SHOWN (COD. BLACK)
  - 2 REPERE ALVEOLES / CAVITY MARKING
  - 3 LOGO TE / TE LOGO
  - 4 DATE D'ASSEMBLAGE / ASSEMBLY DATE
  - 5 CODE DU LIEU D'ASSEMBLAGE / ASSEMBLY LOCATION DATE
  - E = EUROPE / EUROPE
  - C = CHINE / CHINA
  - M = MERCOSUR / MERCOSUR
  - J A = AFRIQUE / AFRICA
  - 6 NUMERO DE LA MACHINE D'ASSEMBLAGE / NUMBER ASSEMBLY LINE
  - 7 REF TE DE L'ASSEMBLAGE (RACINE) / TE ASSEMBLY NO (RACINE)
  - 8 REF TE DE L'ASSEMBLAGE (SUFFIXE) / TE ASSEMBLY NO (SUFFIX)
  - 9 INDICE DE REVISION PRODUIT / PRODUCT REVISION NUMBER
  - 10- PIECES A UTILISER AVEC VOIR TABLEAU "COMPOSANTS ASSOCIES" / MATED WITH : SEE TABLE "ASSOCIATED PARTS"



LOC		DIST		REVISIONS			
F	00	P	LYN	DESCRIPTION	DATE	DWN	APVD
		H		DRAWING REVISION	07NOV2013	FJ	XR
		J		UPDATED NOTE 5 WITH NEW PLANT CODE	25OCT2018	ASB	GKT



SECTION CABLE ADMISSIBLE PAR CONTACT  
ACCEPTABLE CABLE SECTIONS PER CONTACT

La section des câbles utilisés doit être comprise entre 0,35 et 2mm<sup>2</sup> avec un diamètre d'isolant compris entre 1,40mm mini et 2,80mm Maxi  
The cross-section of the cables used must be between 0,35 and 2mm<sup>2</sup> (with insulator diameter included between 1,40mm mini and 2,80mm Maxi)

DESCRIPTION TITLE	TE NO REF TE
CAPOT FIXE 2 VOIES - SORTIE GAUCHE/DROITE FIXED COVER 2 WAYS - LEFT/RIGHT EXIT	1801466-1
CAPOT FIXE 2 VOIES - SORTIE HAUT/BAS FIXED COVER 2 WAYS - UP/DOWN EXIT	1801466-2
CAPOT FIXE 2 VOIES - SORTIE AXIALE FIXED COVER 2 WAYS - EXIT IN LINE	1801155-5
CAPOT ROTATIF 90 DEG. 2 VOIES ROTATIVE COVER 90 DEG. 2 WAYS	1801356-1
CLIP 1.5 SENSOR 11 DORE Section 1.4 à 2mm <sup>2</sup> RECEPTACLE 1.5 SENSOR 11 GOLD PLATED Section 1.4 to 2mm <sup>2</sup>	1670328-1
CLIP 1.5 SENSOR 11 DORE Section 0.75 à 1mm <sup>2</sup> RECEPTACLE 1.5 SENSOR 11 GOLD PLATED Section 0.75 to 1mm <sup>2</sup>	1670326-1
CLIP 1.5 SENSOR 11 DORE Section 0.35 à 0.5mm <sup>2</sup> RECEPTACLE 1.5 SENSOR 11 GOLD PLATED Section 0.35 to 0.5mm <sup>2</sup>	1564724-1
OBTURATEUR "MINI-ETANCHE" "MINI-ETANCHE" PLUGGING PIN	
PORTE-LANGUETTES 2 VOIES HP 2 WAYS TAB CONNECTOR HP	1801174-X

COULEUR COLOR	MATIERE MATERIAL	DESCRIPTION TITLE	REP. ITEM
ORANGE	PBT-GF15 (MATIERE: HB) (HB MATERIAL)	CPA CPA	6
VERT GREEN	SILICONE LUBRIFIE A 5% ; DURETE 30 SHORE A LUBRIFICATED SILICON TO 5% ; HARNESS 30 SH. A	JOINT GROMMET GROMMET SEAL	5
NOIR BLACK	PBT-GF15 (MATIERE: HB) (HB MATERIAL)	GRILLE ARRIERE REAR GRID	4
VERT GREEN	SILICONE LUBRIFIE A 4% ; DURETE 50 SHORE A LUBRIFICATED SILICON TO 4% ; HARNESS 50 SH. A	JOINT INTERFACIAL INTERFACE SEAL	3
VOIR TABLEAU DES REF. SEE TABLE OF PART NO	PBT-GF15 (MATIERE: HB) (HB MATERIAL)	DOUBLE VERROUILLAGE COUAGE (VOIR TABLEAU DES REFS) SECONDARY LOCKING CODING (SEE TABLE OF PART NO)	2
NOIR BLACK	PBT-GF15 (MATIERE: HB) (HB MATERIAL)	BOTIER PORT-CLIPS RECEPTACLE HOUSING	1

THIS DRAWING IS A CONTROLLED DOCUMENT.

DWN: F. JODON 20JUN2007  
CHK: X. ROULLIARD 27JUN2007  
APVD: X. ROULLIARD 27JUN2007

DIMENSIONS: mm

TOLERANCES UNLESS OTHERWISE SPECIFIED:

0 PLC	±
1 PLC	±0.1
2 PLC	±0.2
3 PLC	±0.3
4 PLC	±0.4
ANGLES	±0.2°

MATERIAL: SEE TABLE VOIR TABLEAU

FINISH: -

WEIGHT: 5.2g / 0.183 oz

Customer Drawing

TE Connectivity

NAME: 2 WAYS RECEPTACLE CONNECTOR HP  
PORTE-CLIPS 2 Voies HP

SIZE: 5:1

DRAWING NO: A100779

REVISIONS: 1801175

SHEET 1 OF 1

REV J