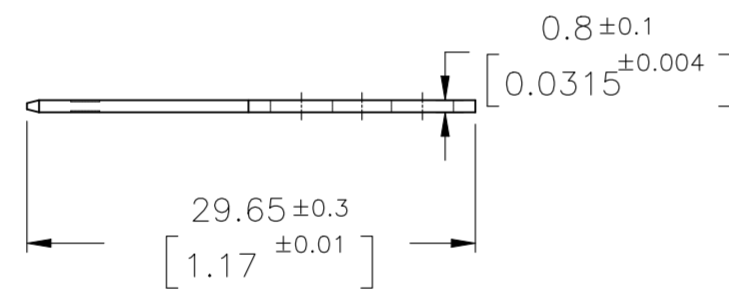
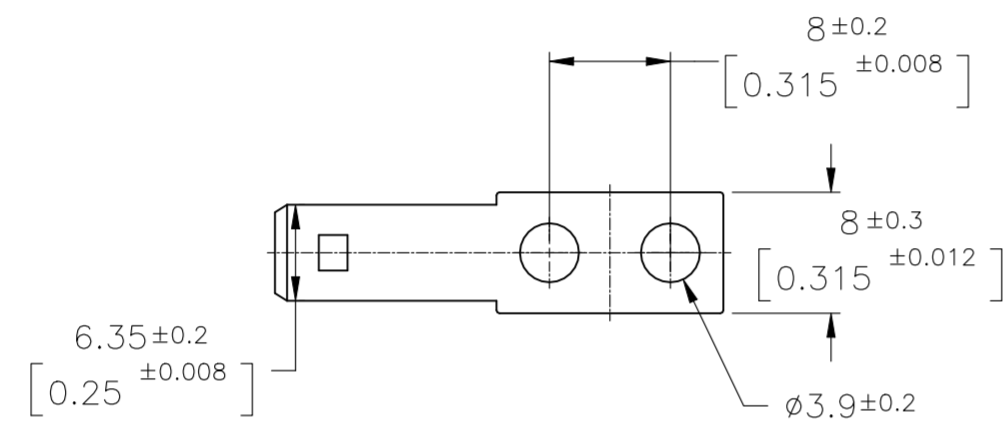
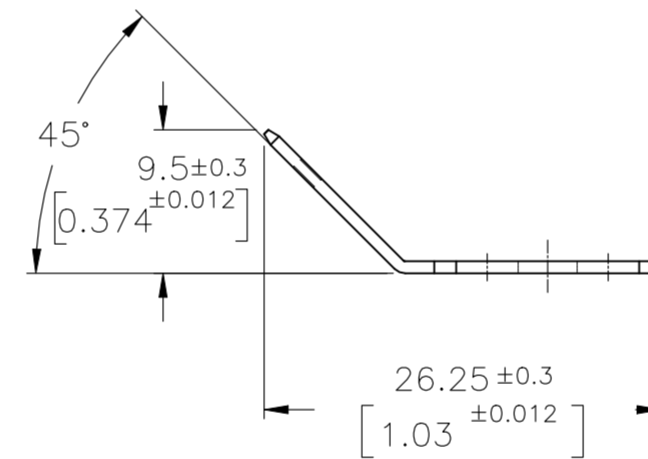
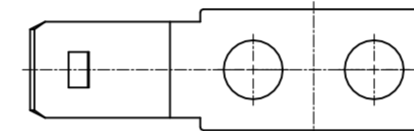


REVISIONS				
P	LTR	DESCRIPTION	DATE	APVD
A1		DIMENSION UPDATE	25MAY2023	SP PS

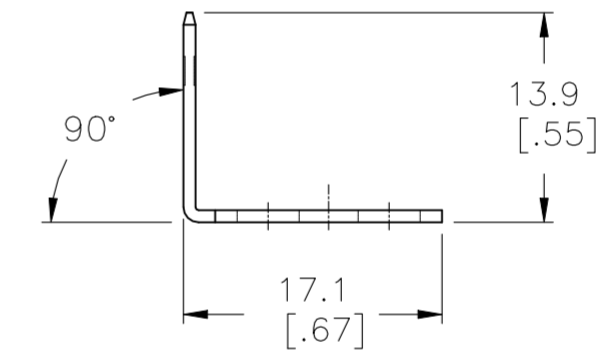
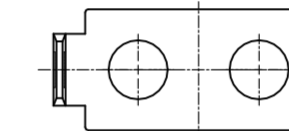
- 1. MATERIAL: 0.80[.032] THICK, BRASS TEMPERED.
- 2. FINISH: BRIGHT TIN PLATE.



1776843-1



1776843-2



1776843-3

90°, DBL SIDED	1776843-3
45°, DBL SIDED	1776843-2
FLAT, DBL SIDED	1776843-1
DESCRIPTION	PART NUMBER

THIS DRAWING IS A CONTROLLED DOCUMENT.		DWN	S SCHLEGEL	15MAY2006	TE TE Connectivity		
		CHK	S YODER	5/15/06			
		APVD	S YODER	5/15/06			
		PRODUCT SPEC					
DIMENSIONS: mm [INCHES]		TOLERANCES UNLESS OTHERWISE SPECIFIED:		NAME 9.5mm DOUBLE ROW, .250 QC TABS, SINGLE SIDED			
		0 PLC	±	-	SIZE A2		
		1 PLC	±	0.3		CAGE CODE 00779	
		2 PLC	±	0.25			DRAWING NO C=1776843
		3 PLC	±	-			
4 PLC	±	-					
MATERIAL -		FINISH -		WEIGHT			
				CUSTOMER DRAWING			
				SCALE 2:1			
				SHEET 1 of 1			
				REV A1			

1776843