

THIS DRAWING IS UNPUBLISHED.

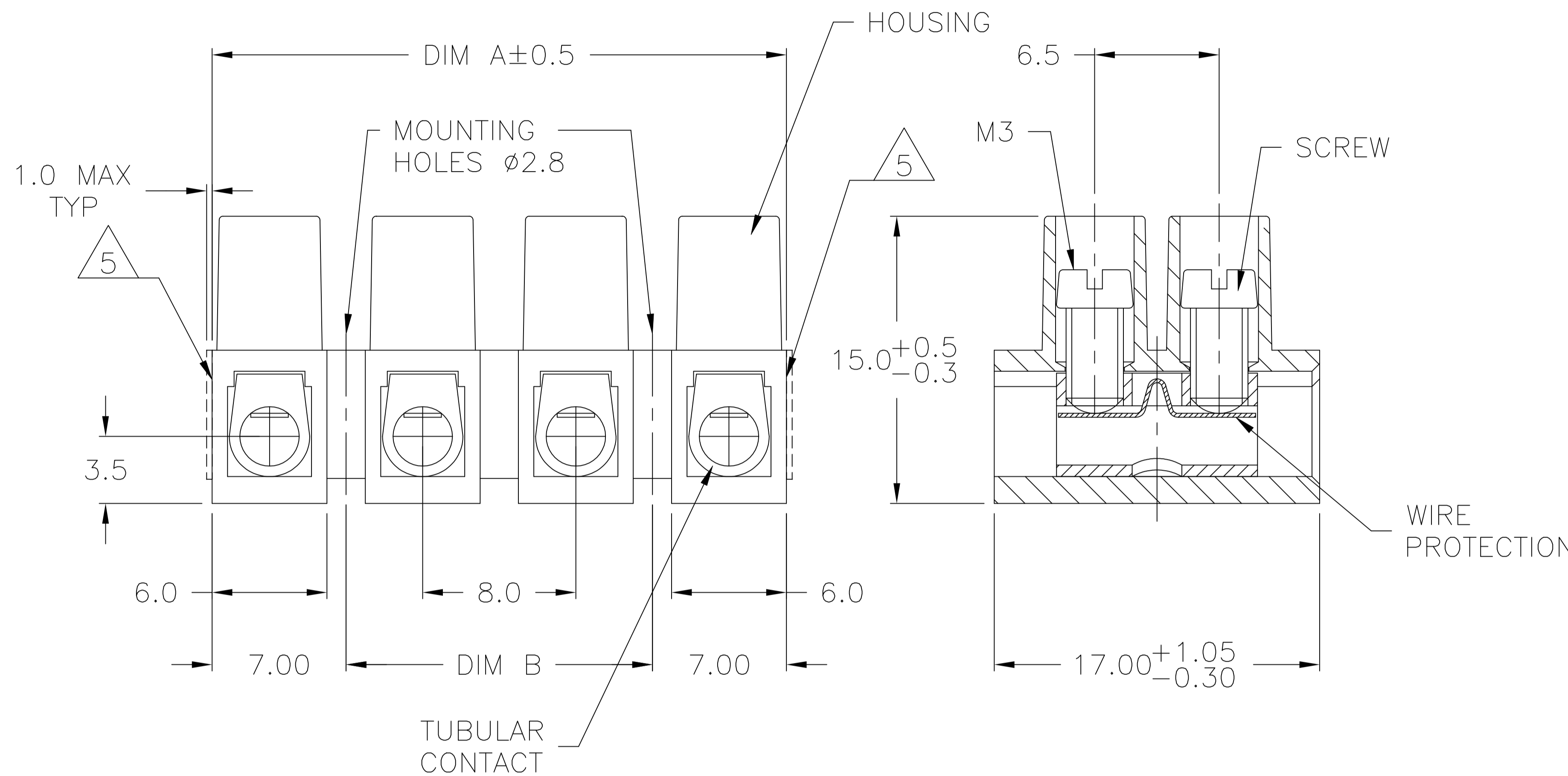
RELEASED FOR PUBLICATION

© COPYRIGHT - TE Connectivity Ltd.

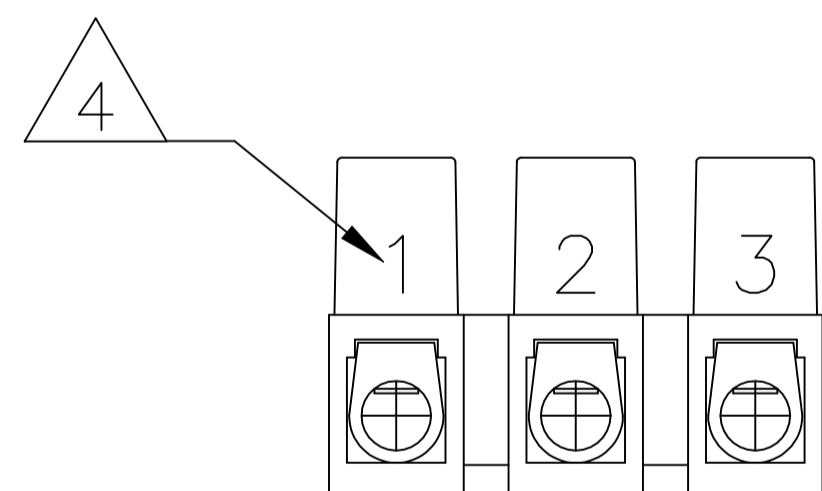
ALL RIGHTS RESERVED.

REVISIONS

P	LTR	DESCRIPTION	DATE	DWN	APVD
P		CUTTING BURR DETAILS ADDED	19NOV2018	RK	PS



- MATERIAL:
HOUSING: POLYAMIDE 6 UL94V-0.
COLOR: BROWN.
TUBULAR CONTACT: BRASS TIN PLATED.
SCREW: STEEL M3 ZINC W/ NON-HEXAVALENT CHROMATE (CHROME III).
WIRE PROTECTOR: STAINLESS STEEL.
- ELECTRICAL:
CURRENT RATING: 30A.
OPERATING VOLTAGE: 250V.
WIRE RANGE: 12-26 AWG.
- ENVIRONMENTAL:
CONTINUOUS WORKING TEMP.: -35°C TO +150°C.
- MARKED WITH PERMANENT INK.
- CUTTING PROJECTION CAN BE ON BOTH SIDES DEPENDING ON CUTTING LOCATION.
- CUTTING BURR MAX. 1mm ALLOWED.



1-1779295-3

1776295-4 AS SHOWN

	DIM B	DIM A	NO. POSN	CATALOG NUMBER	TE PART NUMBER
	8.0	22.0	3	TSB23003DS HT	1-1776295-3
	80.0	94.0	12	TSB23012DS HT	1-1776295-2
	72.0	86.0	11	TSB23011DS HT	1-1776295-1
OBSOLETE	64.0	78.0	10	TSB23010DS HT	1-1776295-0
	56.0	70.0	9	TSB23009DS HT	1776295-9
	48.0	62.0	8	TSB23008DS HT	1776295-8
	40.0	54.0	7	TSB23007DS HT	1776295-7
	32.0	46.0	6	TSB23006DS HT	1776295-6
	24.0	38.0	5	TSB23005DS HT	1776295-5
	16.0	30.0	4	TSB23004DS HT	1776295-4
	8.0	22.0	3	TSB23003DS HT	1776295-3
	-	14.0	2	TSB23002DS HT	1776295-2
	-	6.0	1	TSB23001DS HT	1776295-1

THIS DRAWING IS A CONTROLLED DOCUMENT.		DWN S SCHLEGEL 3/18/05	 TE Connectivity Ltd.
DIMENSIONS: mm		CHK C RICHARD 3/18/05	
TOLERANCES UNLESS OTHERWISE SPECIFIED:		APVD C RICHARD 3/18/05	NAME HIGH TEMP EUROPA TERMINAL BLOCK W/WIRE PROTECTOR MOUNTING HOLES 2.8DIA 8.0mm PITCH
 0 PLC ± - 1 PLC ± 0.3 2 PLC ± 0.25 3 PLC ± - 4 PLC ± - ANGLES ± 2°		PRODUCT SPEC -	
MATERIAL SEE NOTES	FINISH SEE NOTES	APPLICATION SPEC -	RESTRICTED TO -
		WEIGHT -	SIZE A3
		CUSTOMER DRAWING	CAGE CODE 00779
		SCALE NTS	DRAWING NO C=1776295
		SHEET 1 of 1	REV P