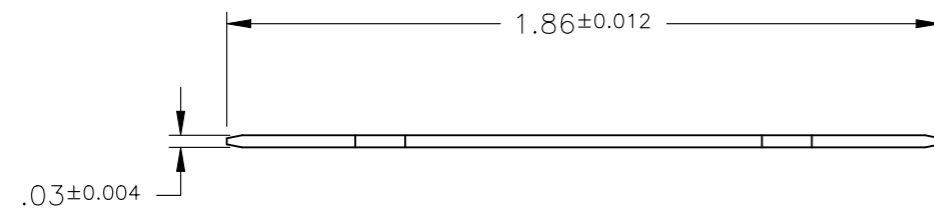
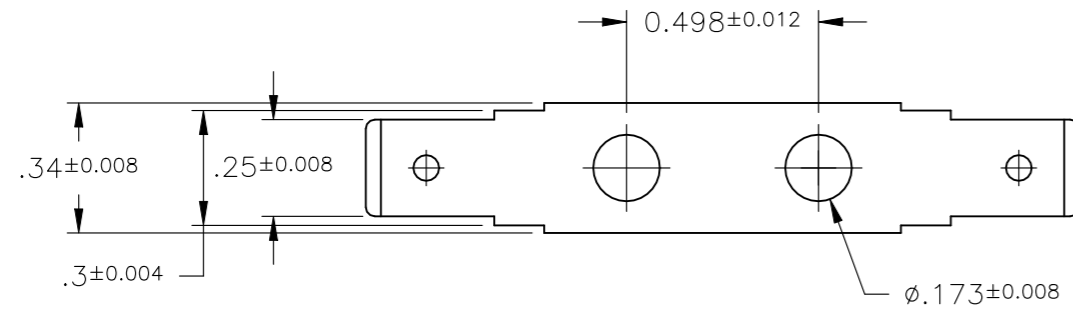


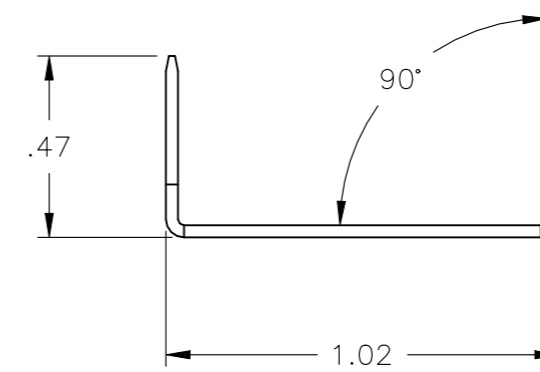
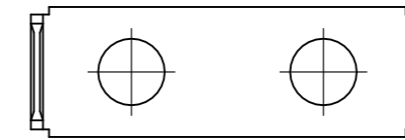
REVISIONS				
P	LTR	DESCRIPTION	DATE	APVD
A1		DIMENSION UPDATE	25MAY2023	SP PS

NOTES:

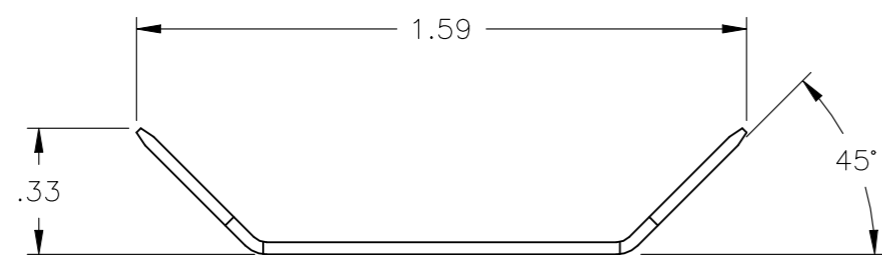
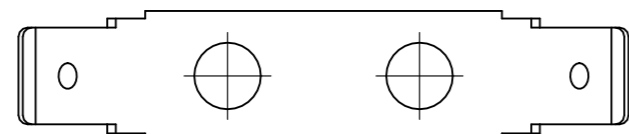
- ⚠ MATERIAL: .032 THICK, BRASS TEMPERED.
- ⚠ FINISH: BRIGHT TIN PLATE.



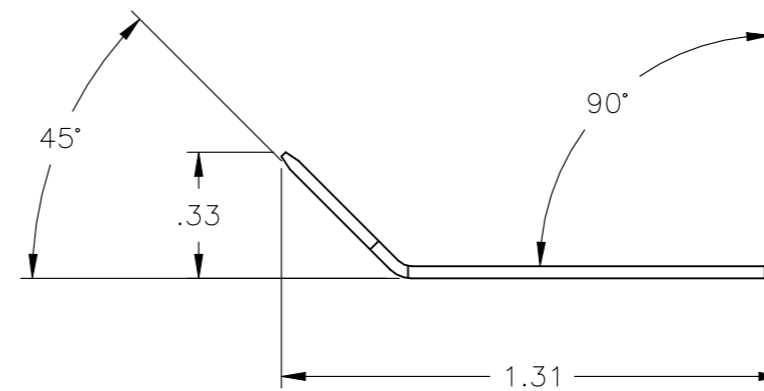
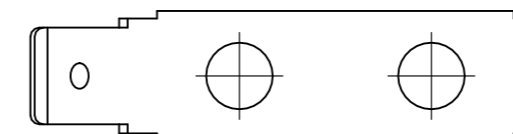
1776173-1



1776173-3



1776173-2



1776173-4

90°/45°, DBL SIDED	1776173-4
90°, DBL SIDED	1776173-3
45°, DBL SIDED	1776173-2
FLAT, DBL SIDED	1776173-1
DESCRIPTION	PART NUMBER

THIS DRAWING IS A CONTROLLED DOCUMENT.		DWN	S SCHLEGEL	30JUL04		TE Connectivity					
DIMENSIONS: INCHES		CHK	S YODER	7/30/04		NAME					
TOLERANCES UNLESS OTHERWISE SPECIFIED:		APVD	S YODER	7/30/04		QC TABS, DOUBLE SIDED, .563 DOUBLE ROW SERIES					
0 PLC ± - 1 PLC ± - 2 PLC ± .02 3 PLC ± .010 4 PLC ± - ANGLES ± 3°		PRODUCT SPEC	APPLICATION SPEC			SIZE	CAGE CODE	DRAWING NO	RESTRICTED TO		
MATERIAL	- ⚠	FINISH	- ⚠	WEIGHT	0.000000	A2	00779	C=1776173	-		
CUSTOMER DRAWING						SCALE	NTS	SHEET	1 OF 1	REV	A1