

4

3

2

1

THIS DRAWING IS UNPUBLISHED.

RELEASED FOR PUBLICATION

--

LOC

DIST

REVISIONS

©

COPYRIGHT

BY TYCO ELECTRONICS CORPORATION.

ALL RIGHTS RESERVED.

DW

-

P

LTR

DESCRIPTION

DATE

DWN

APVD

A6

RELEASED ( ECR-21-123724 )

10DEC21

T.Q

N.S

Top view of the HPI connector showing dimensions: DIM C  $\pm 0.15$  /  $-0.10$ , DIM D  $\pm 0.15$  /  $-0.1$ , DIM A, and DIM B  $\pm 0.2$ . Other dimensions include 5.50, 2.00, and 3.60  $\pm 0.1$ .

RECOMMENDED PCB LAYOUT showing dimensions: 2.35, 3.50, 1.00, 2.00, 1.50, 3.40, 5.70, and 9.20.

RECOMMENDED PCB LAYOUT

Bottom view of the HPI connector showing dimensions: 7.60 and section line A-A.

Side view of the HPI connector showing dimensions: 0.10, 1.00, and a LOGO label. A note indicates ALL SOLDER TAILS.

SECTION A-A showing dimensions: 2.40 and 3.53.

SECTION A-A

| THICKNESS | DIM D | DIM C | DIM B | DIM A | POS         | PART NUMBER |
|-----------|-------|-------|-------|-------|-------------|-------------|
| 28.00     | 32.90 | 35.40 | 30.00 | 16P   | 3-1775469-6 |             |
| 26.00     | 30.90 | 33.40 | 28.00 | 15P   | 3-1775469-5 |             |
| 24.00     | 28.90 | 31.40 | 26.00 | 14P   | 3-1775469-4 |             |
| 22.00     | 26.90 | 29.40 | 24.00 | 13P   | 3-1775469-3 |             |
| 20.00     | 24.90 | 27.40 | 22.00 | 12P   | 3-1775469-2 |             |
| 18.00     | 22.90 | 25.40 | 20.00 | 11P   | 3-1775469-1 |             |
| 16.00     | 20.90 | 23.40 | 18.00 | 10P   | 3-1775469-0 |             |
| 14.00     | 18.90 | 21.40 | 16.00 | 9P    | 2-1775469-9 |             |
| 12.00     | 16.90 | 19.40 | 14.00 | 8P    | 2-1775469-8 |             |
| 10.00     | 14.90 | 17.40 | 12.00 | 7P    | 2-1775469-7 |             |
| 8.00      | 12.90 | 15.40 | 10.00 | 6P    | 2-1775469-6 |             |
| 6.00      | 10.90 | 13.40 | 8.00  | 5P    | 2-1775469-5 |             |
| 4.00      | 8.90  | 11.40 | 6.00  | 4P    | 2-1775469-4 |             |
| 2.00      | 6.90  | 9.40  | 4.00  | 3P    | 2-1775469-3 |             |
| 0.60      | 4.90  | 7.40  | 2.00  | 2P    | 2-1775469-2 |             |
| 28.00     | 32.90 | 35.40 | 30.00 | 16P   | 1-1775469-6 |             |
| 26.00     | 30.90 | 33.40 | 28.00 | 15P   | 1-1775469-5 |             |
| 24.00     | 28.90 | 31.40 | 26.00 | 14P   | 1-1775469-4 |             |
| 22.00     | 26.90 | 29.40 | 24.00 | 13P   | 1-1775469-3 |             |
| 20.00     | 24.90 | 27.40 | 22.00 | 12P   | 1-1775469-2 |             |
| 18.00     | 22.90 | 25.40 | 20.00 | 11P   | 1-1775469-1 |             |
| 16.00     | 20.90 | 23.40 | 18.00 | 10P   | 1-1775469-0 |             |
| 14.00     | 18.90 | 21.40 | 16.00 | 9P    | 1775469-9   |             |
| 12.00     | 16.90 | 19.40 | 14.00 | 8P    | 1775469-8   |             |
| 10.00     | 14.90 | 17.40 | 12.00 | 7P    | 1775469-7   |             |
| 8.00      | 12.90 | 15.40 | 10.00 | 6P    | 1775469-6   |             |
| 6.00      | 10.90 | 13.40 | 8.00  | 5P    | 1775469-5   |             |
| 4.00      | 8.90  | 11.40 | 6.00  | 4P    | 1775469-4   |             |
| 2.00      | 6.90  | 9.40  | 4.00  | 3P    | 1775469-3   |             |
| 0.60      | 4.90  | 7.40  | 2.00  | 2P    | 1775469-2   |             |

NOTE:

1. MATERIAL :

HOUSING : PA9T, UL 94V-0, COLOR: NATURAL.  
CONTACT : BRASS, THICKNESS=0.50mm.

2. FINISH:

CONTACT :  $\Delta$  2 $\mu$ m [80u"] MIN. MATTE TIN PLATED OVER  
1.27 $\mu$ m [50u"] MIN. NICKEL UNDERPLATED ALL OVER. $\Delta$  GOLD FLASH OVER 1.27 $\mu$ m [50u"] MIN. NICKEL UNDERPLATED ALL OVER.

3. REFLOW SOLDER CAPABLE TO 260°C PER TE CONNECTIVITY SPEC 109-201, CONDITION B.

THIS DRAWING IS A CONTROLLED DOCUMENT.

DWN O. HU 01NOV2006

CHK S. HOU 01NOV2006

APVD W.J. KE 01NOV2006

PRODUCT SPEC

108-57100

QUALIFICATION TEST REPORT

501-57058

WEIGHT --

CUSTOMER DRAWING

DIMENSIONS:

MM

TOLERANCES UNLESS OTHERWISE SPECIFIED:

|        |            |
|--------|------------|
| 0 PLC  | $\pm$ -    |
| 1 PLC  | $\pm$ 0.25 |
| 2 PLC  | $\pm$ 0.15 |
| 3 PLC  | $\pm$ 0.10 |
| 4 PLC  | $\pm$ -    |
| ANGLES | $\pm$ 3'   |

MATERIAL

SEE NOTE

FINISH

SEE NOTE

NAME

O. HU

S. HOU

W.J. KE

108-57100

501-57058

--

HPI CONN., 2.0MM PITCH,  
R/A, SMT TYPE

SIZE

CAGE CODE

DRAWING NO

RESTRICTED TO

A3

00779

C=1775469

-

SCALE

SHEET

1 OF 2

REV A6

AMP 1470-19 REV 31MAR2000

4

3

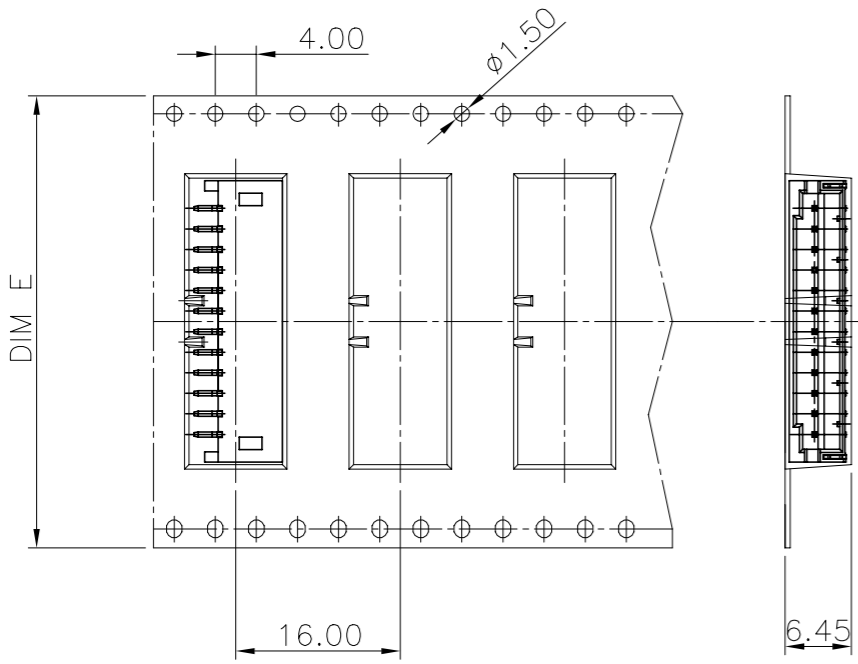
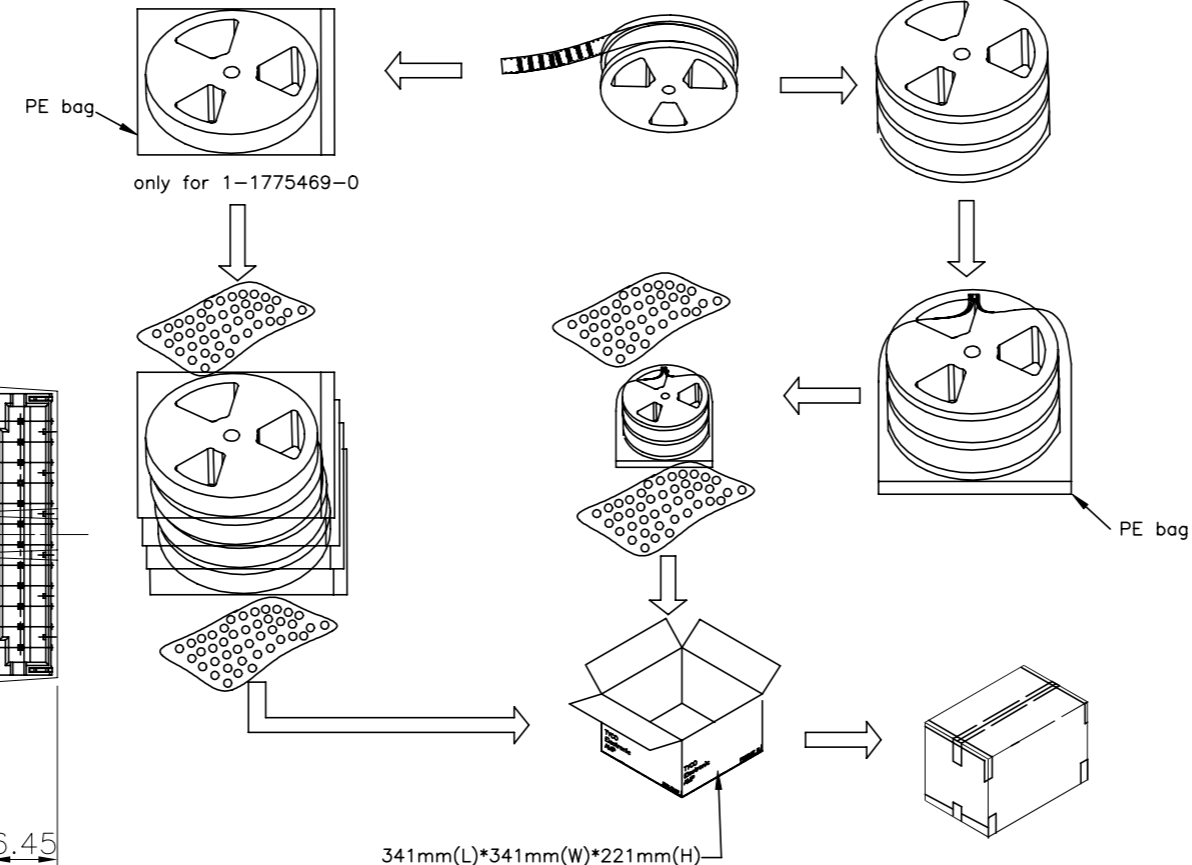
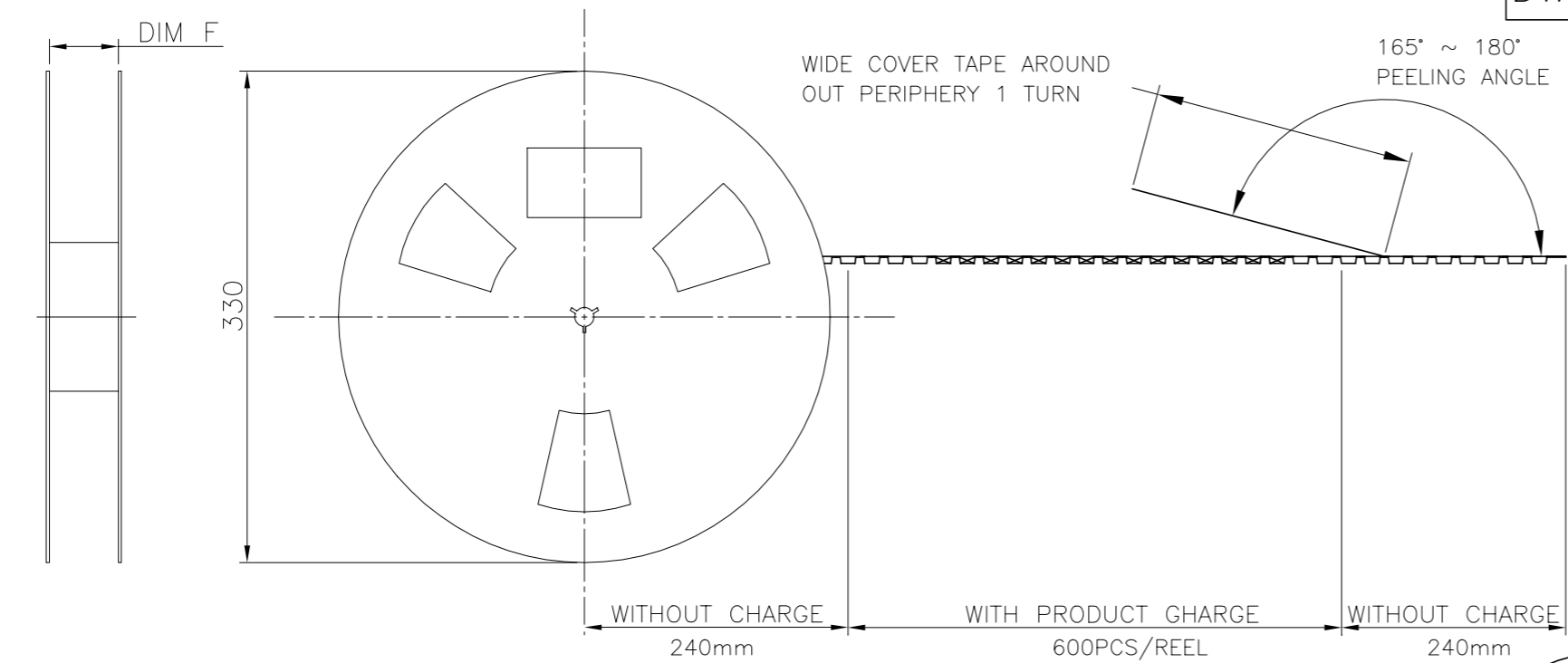
2

1

THIS DRAWING IS UNPUBLISHED. RELEASED FOR PUBLICATION  
 © COPYRIGHT BY TYCO ELECTRONICS CORPORATION. ALL RIGHTS RESERVED.

| LOC | DIST | REVISIONS |     |              |      |     |      |
|-----|------|-----------|-----|--------------|------|-----|------|
| DW  | -    | P         | LTR | DESCRIPTION  | DATE | DWN | APVD |
|     |      |           |     | SEE SHEET 1. |      |     |      |

- NOTE:
- PACKAGING MATERIAL IN PLASTIC, RUBBER, INK, PIGMENT AND PAINT MUST MEET CONTROLLED SUBSTANCES SPEC PER 138-0702.
    - \* CADMIUM AND CADMIUM COMPOUNDS NOT TO EXCEED: 5 PPM.
    - \* LEAD, CADMIUM, CHROM VI AND MERCURY NOT TO EXCEED: 100 PPM (COMBINED).
  - EACH BAG SHALL BE INCLUDED:
    - \* DESICCANT
  - CARRIER TAPES, COVER TAPES, REELS AND TAPED COMPONENTS MUST MEET THE REQUIREMENTS DEFINED PER EIA-481-B.
  - THE VACUUM PACKING IS FOR 1-1775469-0 ONLY.



| DIM F | DIM E | PCS/CARTON | PCS/REEL | POS | PART NO.    |
|-------|-------|------------|----------|-----|-------------|
| 58    | 56    | 1800       | 600      | 16  | 3-1775469-6 |
|       |       | 1800       | 600      | 15  | 3-1775469-5 |
|       |       | 1800       | 600      | 14  | 3-1775469-4 |
|       |       | 1800       | 600      | 13  | 3-1775469-3 |
| 46    | 44    | 2400       | 600      | 12  | 3-1775469-2 |
|       |       | 2400       | 600      | 11  | 3-1775469-1 |
|       |       | 2400       | 600      | 10  | 3-1775469-0 |
|       |       | 2400       | 600      | 9   | 2-1775469-9 |
|       |       | 2400       | 600      | 8   | 2-1775469-8 |
|       |       | 2400       | 600      | 7   | 2-1775469-7 |
| 34    | 32    | 3000       | 600      | 6   | 2-1775469-6 |
|       |       | 3000       | 600      | 5   | 2-1775469-5 |
|       |       | 3000       | 600      | 4   | 2-1775469-4 |
|       |       | 3000       | 600      | 3   | 2-1775469-3 |
|       |       | 3000       | 600      | 2   | 2-1775469-2 |
| 58    | 56    | 1800       | 600      | 16  | 1-1775469-6 |
|       |       | 1800       | 600      | 15  | 1-1775469-5 |
|       |       | 1800       | 600      | 14  | 1-1775469-4 |
|       |       | 1800       | 600      | 13  | 1-1775469-3 |
| 46    | 44    | 2400       | 600      | 12  | 1-1775469-2 |
|       |       | 2400       | 600      | 11  | 1-1775469-1 |
|       |       | 2400       | 600      | 10  | 1-1775469-0 |
|       |       | 2400       | 600      | 9   | 1775469-9   |
|       |       | 2400       | 600      | 8   | 1775469-8   |
|       |       | 2400       | 600      | 7   | 1775469-7   |
| 34    | 32    | 3000       | 600      | 6   | 1775469-6   |
|       |       | 3000       | 600      | 5   | 1775469-5   |
|       |       | 3000       | 600      | 4   | 1775469-4   |
|       |       | 3000       | 600      | 3   | 1775469-3   |
|       |       | 3000       | 600      | 2   | 1775469-2   |

|  |        |                  |         |           |
|--|--------|------------------|---------|-----------|
| THIS DRAWING IS A CONTROLLED DOCUMENT. |        | DWN              | O. HU   | 01NOV2006 |
| DIMENSIONS: MM                         |        | CHK              | S. HOU  | 01NOV2006 |
| TOLERANCES UNLESS OTHERWISE SPECIFIED: |        | APVD             | W.J. KE | 01NOV2006 |
| 0 PLC                                  | ± -    | PRODUCT SPEC     |         |           |
| 1 PLC                                  | ± -    | APPLICATION SPEC |         |           |
| 2 PLC                                  | ± -    | WEIGHT           |         |           |
| 3 PLC                                  | ± -    | CUSTOMER DRAWING |         |           |
| 4 PLC                                  | ± -    | SCALE            |         |           |
| ANGLES                                 | ± -    | SHEET            |         |           |
| MATERIAL                               | FINISH | REV              |         |           |

**STE** TE Connectivity

HPI CONN., 2.0MM PITCH, R/A, SMT TYPE

SIZE: A3 CAGE CODE: 1775469 DRAWING NO: 1775469 RESTRICTED TO: -

SCALE: - SHEET: 2 of 2 REV: A6