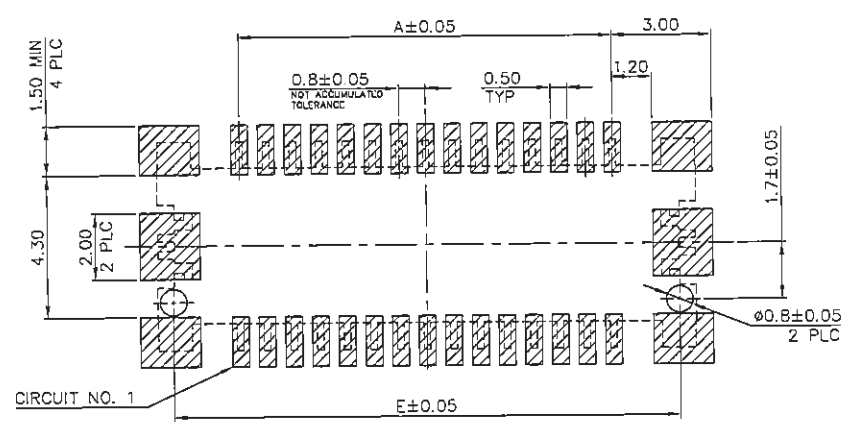
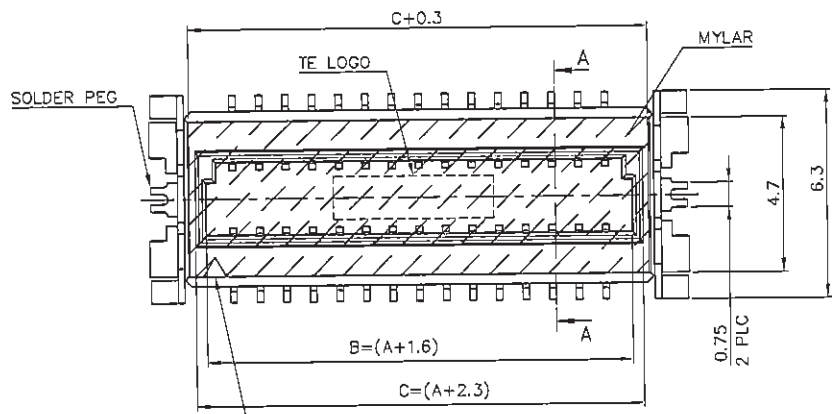


THIS DRAWING IS UNPUBLISHED. RELEASED FOR PUBLICATION. ALL RIGHTS RESERVED.

© COPYRIGHT 2013 BY TE CONNECTIVITY.

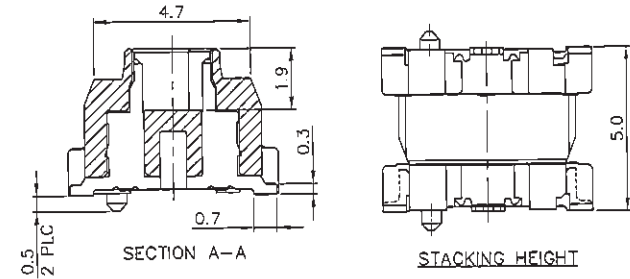
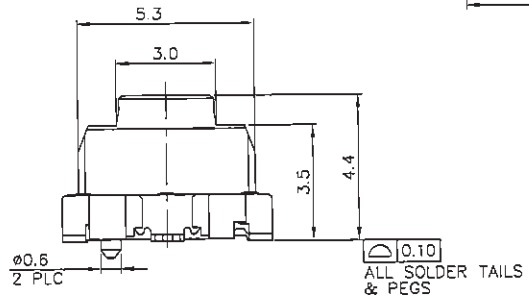
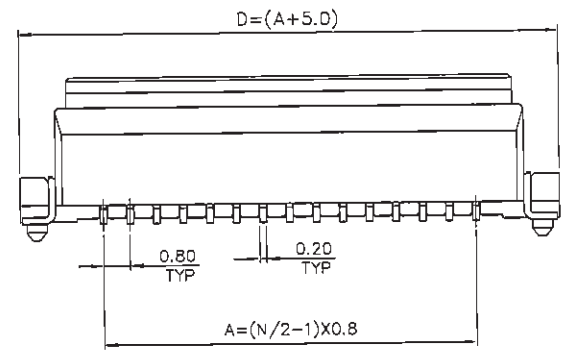
LOC	DIST	REVISIONS			DATE	DWN	APVD
P	LYR	DESCRIPTION					
DW	-				10OCT15	I.T	W.H
E		ECR-15-001514					



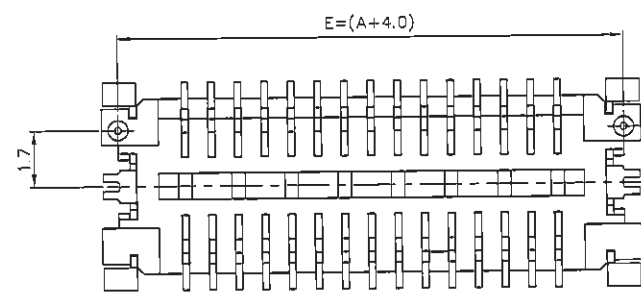
CIRCUIT NO. 1 MARK

RECOMMENDED PCB LAYOUT

- NOTES:
- MATERIAL:
HOUSING: PA6T, UL94 V-0, NATURAL COLOR.
CONTACTS: PHOSPHOR BRONZE.
PEGS: BRASS.
 - FINISH:
CONTACTS: (SEE TABLE)
PLATING A: 100µ" MIN. MATTE-TIN ON ENTIRE CONTACT.
PLATING B: GOLD FLASH.
(WITH ENTIRE CONTACT UNDERPLATED 50µ" MIN. NICKEL)
PEGS: 100µ" MIN. TIN OR MATTE-TIN OVER 50µ" MIN. NICKEL.
 - PART NUMBER OF MATING RECEPTACLE: X-1775013-X
 - REFLOW SOLDER CAPABLE TO 260°C AS PER TEC-109-201, CONDITION B.



CONTACT PLATING	DIMENSIONS					NO. OF CONTACTS	PART NUMBER
	E	D	C	B	A		
A	15.2	16.2	13.5	8.8	11.2	30	3-1775015-6
	11.2	12.2	9.5	12.8	7.2	20	2-1775015-0
	8	9	6.3	5.6	4.0	12	1-1775015-2
B	11.2	12.2	9.5	8.8	7.2	20	1775015-8
	15.2	16.2	13.5	12.8	11.2	30	1775015-3
	8	9	6.3	5.6	4.0	12	1775015-1



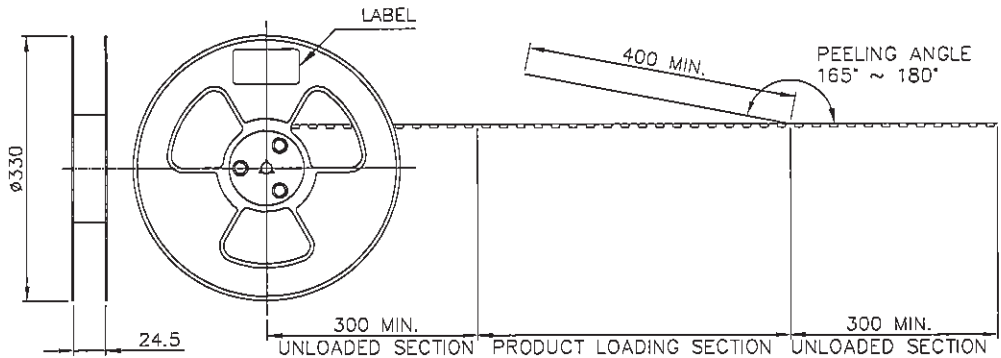
5. SUBSTANCE RESTRICTIONS FOR LOW HALOGEN (BY WEIGHT):
BROMINE (Br) ≤ 900 PPM (0.09%)
CHLORINE (Cl) ≤ 900 PPM (0.09%)
TOTAL CONCENTRATION OF (Cl) + (Br) ≤ 1500 PPM (0.15%)

THIS DRAWING IS A CONTROLLED DOCUMENT.

DIMENSIONS: MM	TOLERANCES UNLESS OTHERWISE SPECIFIED:	DWN A. WU 11JUN2007	TE Connectivity
		CHK S. HQV 11JUN2007	
		APVD W.J. KE 11JUN2007	BOARD TO BOARD CONNECTOR, 0.8mm PITCH, FINE-STACK, 5H, PLUG
		PRODUCT SPEC 108-57488	
MATERIAL SEE NOTE	FINISH SEE NOTE	APPLICATION SPEC	RESTRICTED TO
		WEIGHT SEE TABLE	SIZE CAGE CODE DRAWING NO
		CUSTOMER DRAWING	A3 00779 C-1775015
			SCALE SHEET 1 of 2 REV E

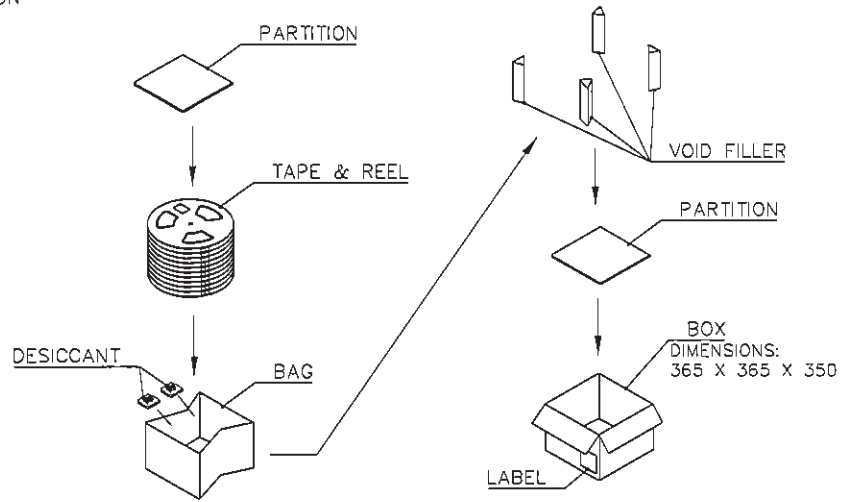
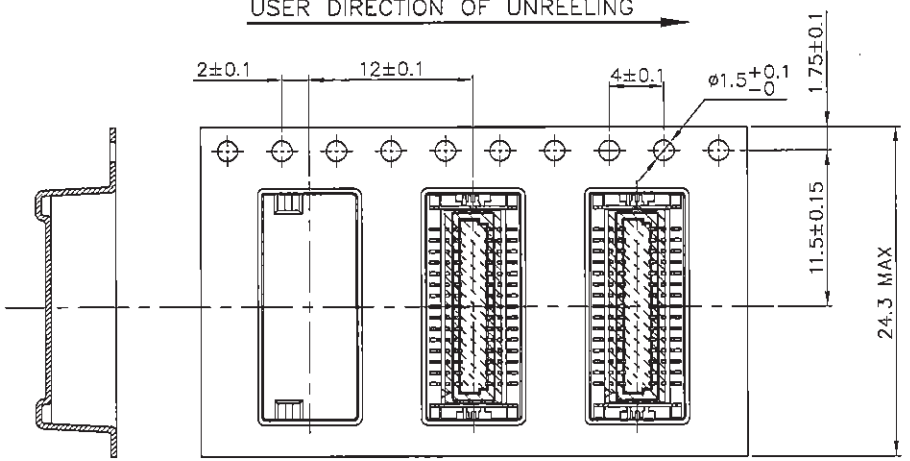
THIS DRAWING IS UNPUBLISHED. RELEASED FOR PUBLICATION
 © COPYRIGHT 2015 BY TE CONNECTIVITY. ALL RIGHTS RESERVED.

Loc	DW	DIST	-	REVISIONS		
P	LYR	DESCRIPTION	DATE	DWN	APVD	
		SEE SHEET 1				



- NOTES:
- MATERIAL:
 BOX: FIBREBOARD, CORRUGATED, DOUBLE WALL.
 COVER TAPE: PET, TRANSPARENT COLOR.
 CARRIER TAPE: POLYSTYRENES, TRANSPARENT COLOR.
 REEL: HIPS, BLUE COLOR.
 BAG: POLYETHYLENES, TRANSPARENT COLOR.
 - EACH BAG SHALL BE INCLUDED DESICCANT.
 - PEELING STRENGTH: 0.1 ~ 1.3 N (10 ~ 130 GRAMS).
 - PEELING SPEED: 300 mm/min.

USER DIRECTION OF UNREELING →



8000	800	10	9.42	3.28	30
			10.25	4.55	20
			8.5	2.5	12
PCS /BOX	PCS /REELS	REELS /BOX	GROSS WEIGHT (Kg)	NET WEIGHT (Kg)	NO. OF CONTACTS

THIS DRAWING IS A CONTROLLED DOCUMENT.

DIMENSIONS: MM	TOLERANCES UNLESS OTHERWISE SPECIFIED:	DWN	TE Connectivity
	0 PLC # -	CHK	NAME
	1 PLC # -	APVD	PRODUCT SPEC
	2 PLC # -		APPLICATION SPEC
	3 PLC # -		WEIGHT
	4 PLC # -		SIZE
MATERIAL	FINISH		CAGE CODE
			DRAWING NO
			RESTRICTED TO
			A3 00779 C-1775015
			CUSTOMER DRAWING
			SCALE
			SHEET 2 of 2
			REV E