

THIS DRAWING IS UNPUBLISHED. RELEASED FOR PUBLICATION 1990. ALL RIGHTS RESERVED.

© COPYRIGHT 1990 TE Connectivity Ltd.

REVISIONS

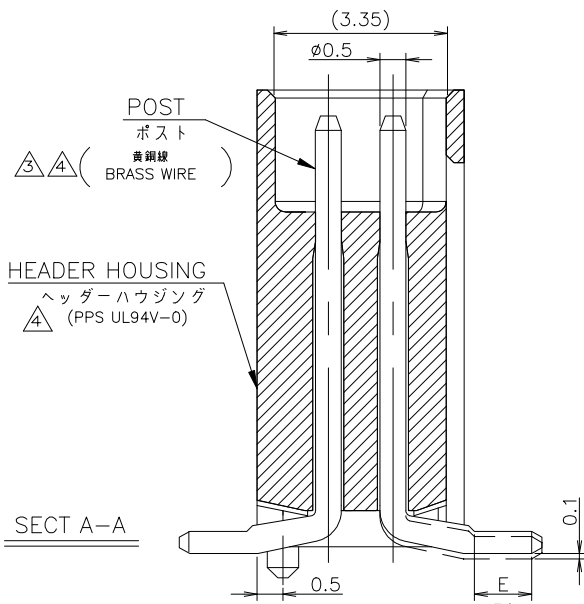
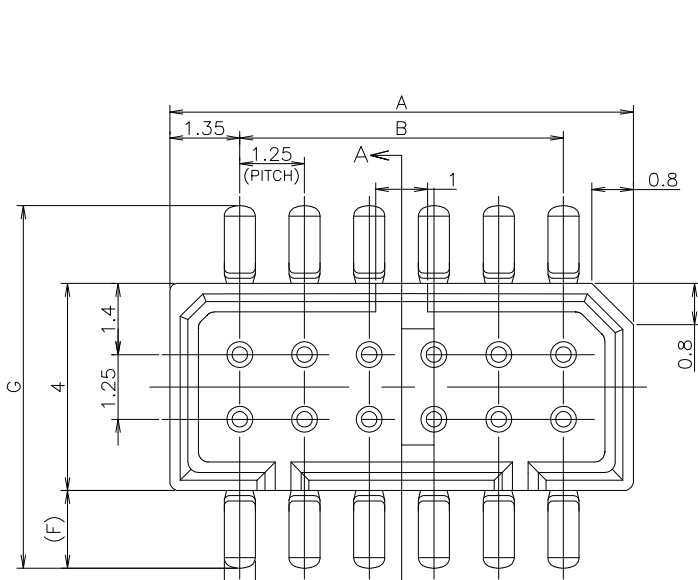
P	LTR	DESCRIPTION	DATE	DWN	APVD
D2		REVISED PER ECO-19-017238	12NOV2019	AL	HL
D1		REVISED PER ECO-10-000443	23JAN10	KK	HMR

NOTE

1 嵌合相手製品型番及び、嵌合時寸法は表-1参照のこと。

NOTE

1 MATING COUNTER PART NUMBER AND DIMENSIONS AFTER MATING: SEE TABLE 1.



嵌合時寸法: 巾(mm) x 高さ(mm)
DIMENSIONS AFTER MATING: WIDTH(mm) x HEIGHT(mm)

DIP TYPE	POST HDR ASSY		SMT TYPE-IMPROVED TYPE X-176756-X ポスト、嵌合テープ付 WITH BOSS, WITH POLYIMIDE TAPE ハウジング 高さ C寸法 HOUSING HEIGHT C DIMENSIONS	
	RECEV HDR ASSY		6.85	9.35
V TYPE X-174635-X	5.6(巾W)x	7.0(巾W)x		
	8.0(高H)	10.5(高H)		
H TYPE X-174636-X	5.6(巾W)x	7.0(巾W)x		
	8.8(高H)	11.3(高H)		
SMT TYPE V TYPE ポスト WITHOUT BOSS X-174904-X ポスト WITH BOSS X-174639-X	5.6(巾W)x	7.0(巾W)x		
	8.0(高H)	10.5(高H)		
SMT TYPE H TYPE ポスト WITHOUT BOSS X-174905-X ポスト WITH BOSS X-174640-X	5.6(巾W)x	7.0(巾W)x		
	9.9(高H)	12.4(高H)		

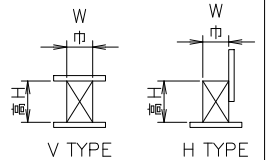
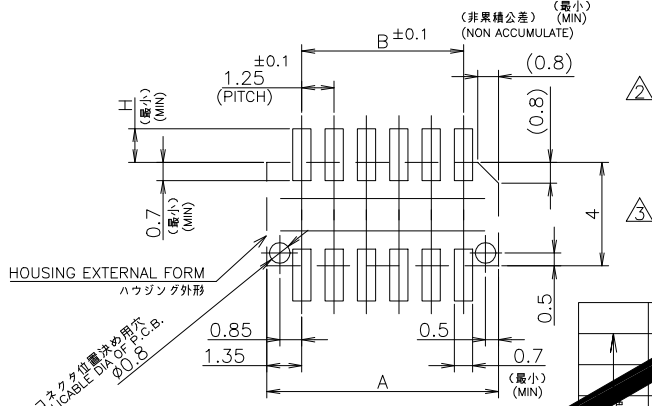
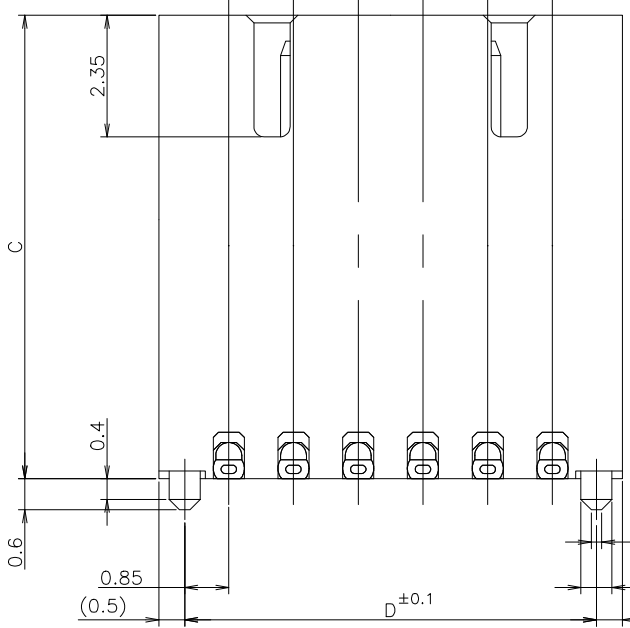


TABLE 1 表-1

SMT TYPEは、巾及び高さ寸法に半田付タイン部寸法を含みます。OF SOLDER DIP TIME.



P.C.B MOUNTING LAYOUT 基板加工寸法

適用基板厚: 0.6mm最小 (APPLICABLE P.C.B THK: 0.6mm MIN)

△ 一般公差
10以下: ±0.2
10を越え30以下: ±0.25
30を越え100以下: ±0.3
角度: ±3°

△ 仕上げ: ニッケル下地鍍めつき

△ GENERAL TOLERANCE
10 ≤ < 30: ±0.25
30 ≤ < 100: ±0.3
ANGLES: ±3°

△ 仕上げ: NICKEL UNDER PL. ALL OTHERS

△ OBSOLETE PARTS: OBSOLETE FOR STREAMLINING PER D.REVISIONS SINIS

THIS DRAWING IS CONTROL DOCUMENT

CONTROL DOCUMENT

APPROVED BY: J. TANAKA

DATE: 17JAN90

DATE: 17SEP92

PRODUCT SPEC 108-5246

APPLICATION SPEC 取付適用規格

WEIGHT

MATERIAL 材料

FINISH 仕上

TE Connectivity

1.25 F-P CONNECTOR (B-TO-B)
DOUBLE ROW POST HDR ASSY SMT TYPE
WITH BOSS

SIZE A3 CAGE CODE 00779 DRAWING NO. G=176756

RESTRICTED TO

CUSTOMER DRAWING

SCALE 1:1 SHEET 1 OF 1 REV D2

