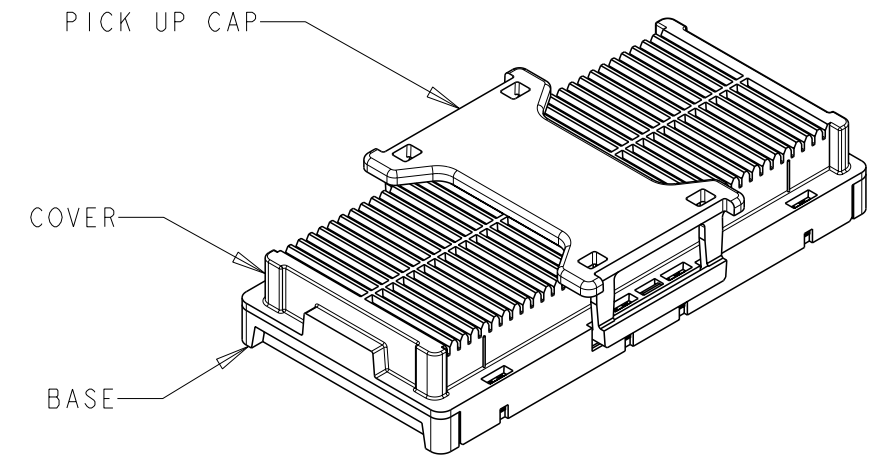
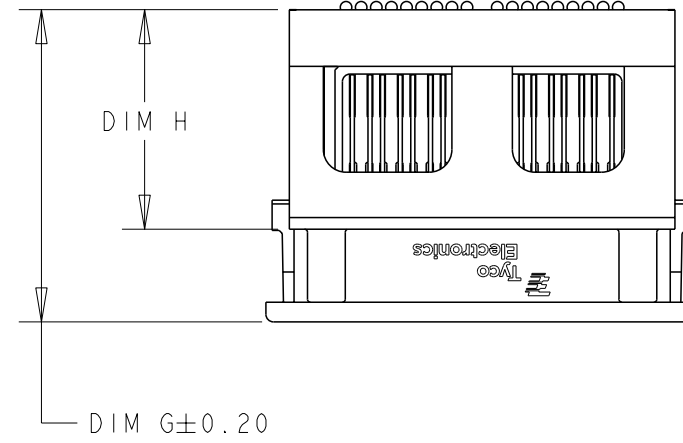
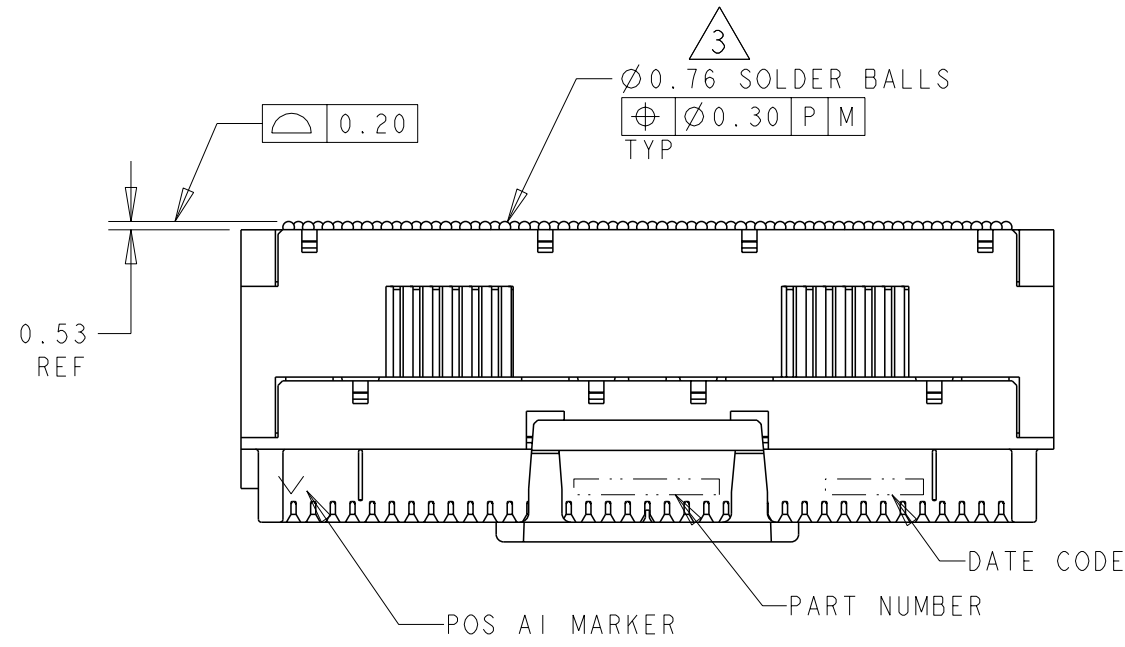
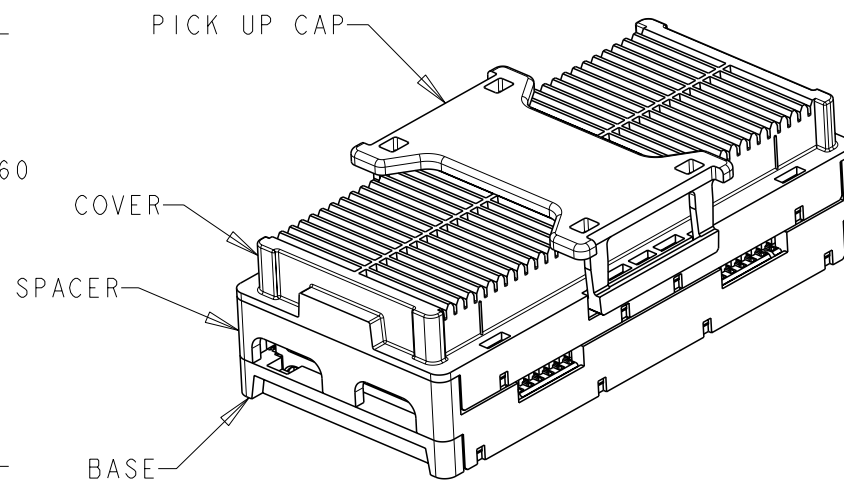
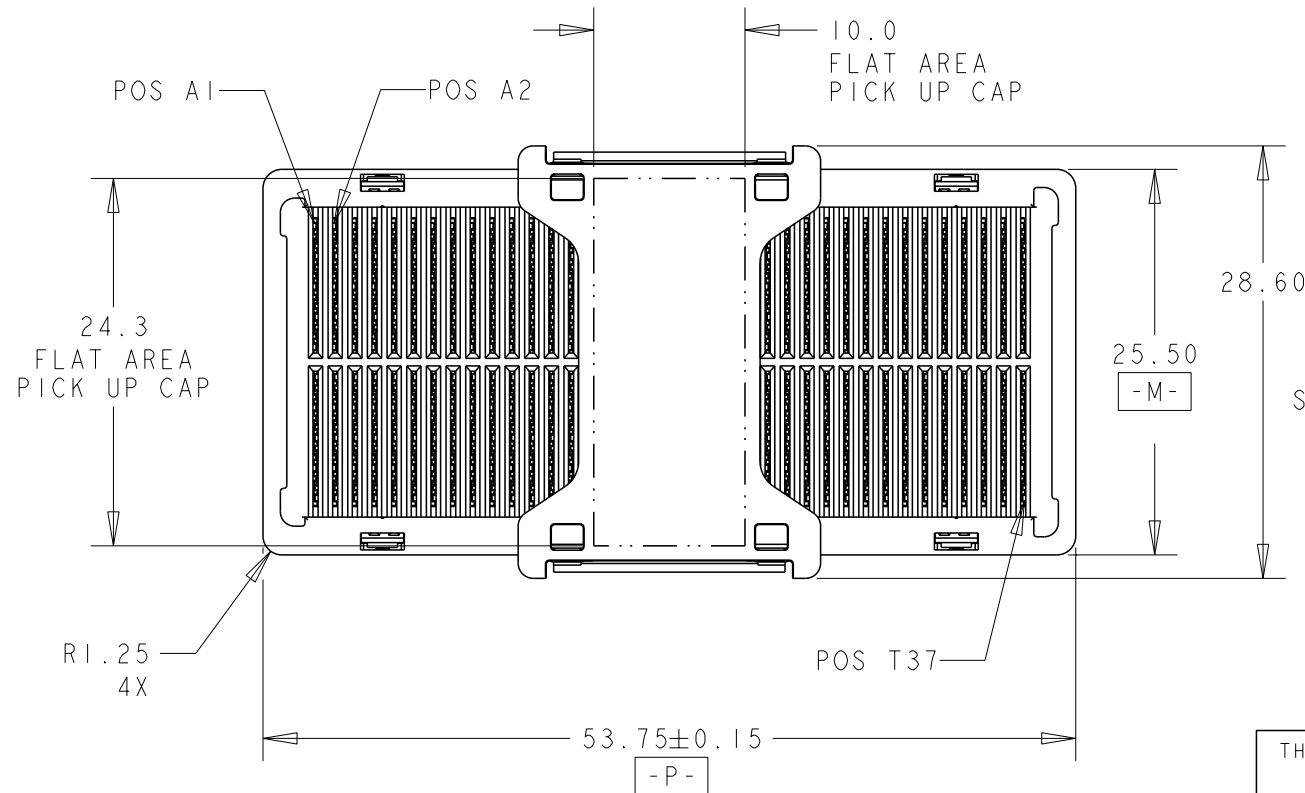


P	LTR	DESCRIPTION	DATE	DWN	APVD
	B5	REVISED PER ECO-20-017117	25APR2021	AP	RW

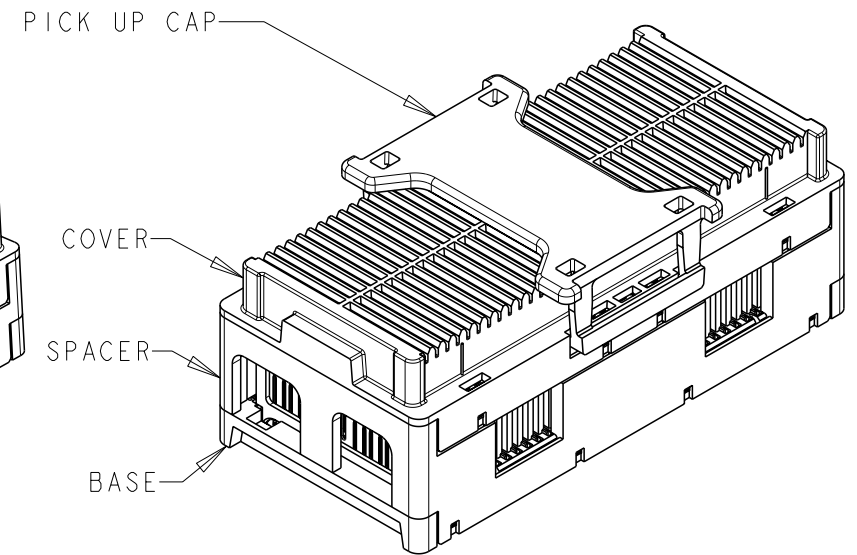


TYPICAL ASSEMBLY
 15mm SHOWN
 SCALE 2:1

ISOMETRIC VIEW
 TYPICAL CONFIGURATION
 FOR 5mm ASSEMBLY
 SCALE 3:2



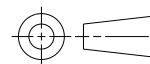
ISOMETRIC VIEW
 TYPICAL CONFIGURATION
 FOR 11mm ASSEMBLY
 SCALE 3:2



ISOMETRIC VIEW
 TYPICAL CONFIGURATION
 FOR 15mm ASSEMBLY
 SCALE 3:2

THIS DRAWING IS A CONTROLLED DOCUMENT.

DIMENSIONS:
 mm



TOLERANCES UNLESS OTHERWISE SPECIFIED:

0 PLC ±-
 1 PLC ±0.3
 2 PLC ±0.10
 3 PLC ±0.050
 4 PLC ±-
 ANGLES ±2°

MATERIAL



FINISH



DWN P BRANDBERG 11JAN05

CHK D WERTZ 12JAN05

APVD D WERTZ 12JAN05

PRODUCT SPEC

108-2143

APPLICATION SPEC

114-13101

WEIGHT

CUSTOMER DRAWING



TE Connectivity

NAME
 STEP-Z RECEPTACLE ASSEMBLY,
 296 SIGNAL POSITION

SIZE CAGE CODE DRAWING NO RESTRICTED TO

A300779 C-1761617


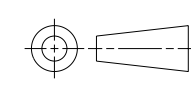
SCALE 2:1 SHEET 1 OF 4 REV B5

REVISIONS

P	LTR	DESCRIPTION	DATE	DWN	APVD
-		SEE SHEET 1	-	-	-

- 1 MATERIAL:
BASE, SPACER, COVER: THERMOPLASTIC
PICK UP CAP: THERMOPLASTIC
CONTACT: COPPER ALLOY
SOLDER BALL: Sn/Pb FOR P/N 1761615-1 THRU 5-1761615-0
Sn/Ag FOR P/N 5-1761615-1 THRU 9-1761615-9
- 2 FINISH:
CONTACT: 0.00076 MIN GOLD OVER 0.00127 MIN NICKEL.
(30µ" MIN GOLD OVER 50µ" MIN NICKEL)
- 3 SOLDER BALLS WILL NOT BE PERFECT
SPHERICAL SHAPE DUE TO REFLOW ATTACHMENT.
- 4 CONTACTS IN ROWS A,C,E,G,J,K,M,P,R, AND T
ARE SINGLE BEAM CONTACTS,
TYPICALLY USED AS GROUND PINS.
(NOTE: CONTACTS IN ROWS J & K ARE TIED
TOGETHER [COMMONED]).
- 5 CONTACTS IN ROWS B,D,F,H,L,N,Q, AND S
ARE DUAL BEAM CONTACTS,
TYPICALLY USED AS SIGNAL PINS.
- 6 SPECIFIED POSITIONAL TOLERANCE DEFINES PAD TO PAD
LOCATION WITHIN LAND PATTERN. POSITIONAL TOLERANCE
OF LAND PATTERN TO FUDICIAL MARKS OR PCB DATUMS
SHALL BE DEFINED BY CUSTOMER. FOR RECOMMENDED
PRODUCT APPLICATION AND PCB DESIGN DETAILS, SEE
APPLICATION SPEC 114-13101.

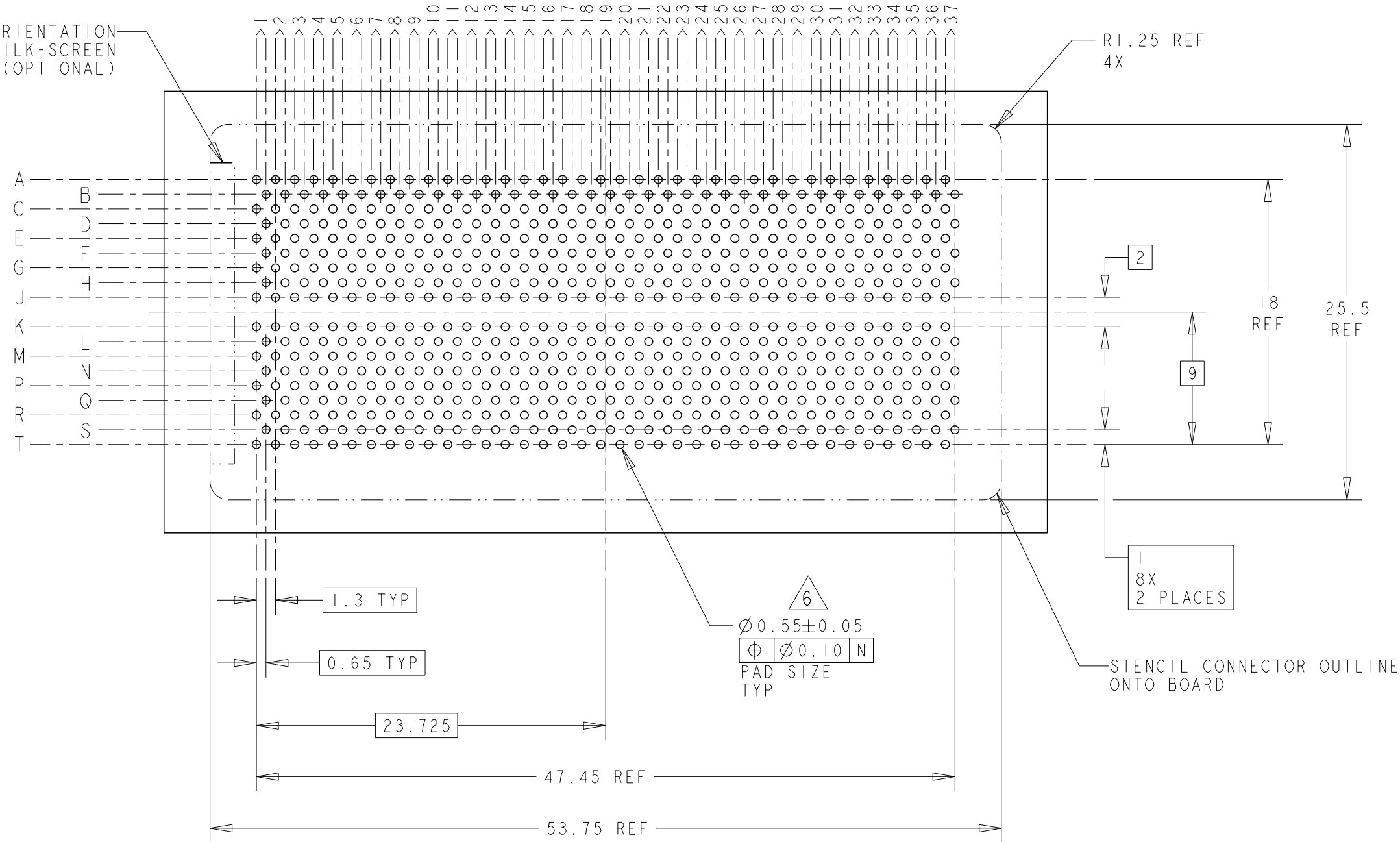
	14.51	20.65	-	15mm Sn/Ag 6-1761617-5
	10.51	16.65	-	11mm Sn/Ag 6-1761617-1
	4.51	10.65	-	5mm Sn/Ag 5-1761617-5
OBSOLETE	14.51	20.65	-	15mm Sn/Pb 1-1761617-5
	10.51	16.65	-	11mm Sn/Pb 1-1761617-1
	4.51	10.65	-	5mm Sn/Pb 1-1761617-5
	DIM H	DIM G	LOAD STYLE	DESCRIPTION PART NUMBER

THIS DRAWING IS A CONTROLLED DOCUMENT.		DWN P BRANDBERG 11 JAN05	 TE Connectivity	
DIMENSIONS: mm		CHK D WERTZ 12 JAN05		
TOLERANCES UNLESS OTHERWISE SPECIFIED:		APVD D WERTZ 12 JAN05	NAME STEP-Z RECEPTACLE ASSEMBLY, 296 SIGNAL POSITION	
		PRODUCT SPEC -	-	
0 PLC ±- 1 PLC ±0.3 2 PLC ±0.10 3 PLC ±0.050 4 PLC ±- ANGLES ±2°		APPLICATION SPEC -	-	
MATERIAL -	FINISH -	WEIGHT -	SIZE A3	CAGE CODE 00779
CUSTOMER DRAWING			DRAWING NO C-1761617	RESTRICTED TO
			SCALE 1:1	SHEET 2 OF 4
			REV B5	

printed on 25 Apr 2021 19:02 from FRO19828

P	LTR	DESCRIPTION	DATE	DWN	APVD
-	-	SEE SHEET 1	-	-	-

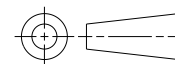
KEY ORIENTATION
SILK-SCREEN
(OPTIONAL)



4 5 **BOARD PATTERN**
SCALE 3:1

THIS DRAWING IS A CONTROLLED DOCUMENT.

DIMENSIONS:
mm



TOLERANCES UNLESS OTHERWISE SPECIFIED:

0 PLC	±-
1 PLC	±0.3
2 PLC	±0.10
3 PLC	±0.050
4 PLC	±-
ANGLES	±2°

MATERIAL

FINISH

DWN P BRANDBERG 11JAN05

CHK D WERTZ 12JAN05

APVD D WERTZ 12JAN05

PRODUCT SPEC

APPLICATION SPEC

WEIGHT

CUSTOMER DRAWING



NAME
STEP-Z RECEPTACLE ASSEMBLY,
296 SIGNAL POSITION

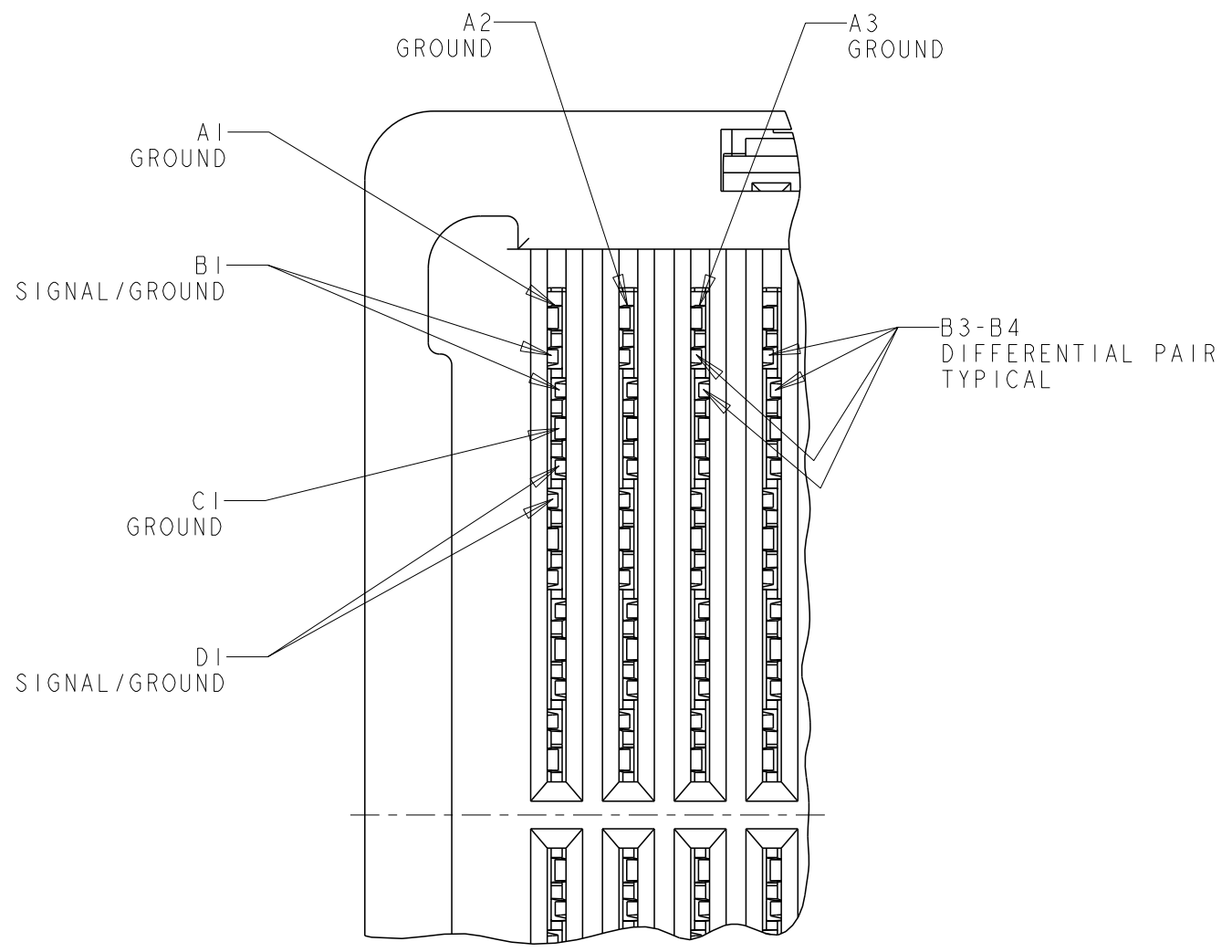
SIZE CAGE CODE DRAWING NO RESTRICTED TO

A300779 C-1761617

SCALE 1:1 SHEET 3 OF 4 REV B5

Printed on 25 Apr 2021 19:02 from FROT9828

REVISIONS					
P	LTR	DESCRIPTION	DATE	DWN	APVD
-		SEE SHEET 1	-	-	-



RECEPTACLE INTERFACE
SCALE 8:1

THIS DRAWING IS A CONTROLLED DOCUMENT.		DWN P BRANDBERG 11 JAN 05														
		CHK D WERTZ 12 JAN 05														
		APVD D WERTZ 12 JAN 05	NAME STEP-Z RECEPTACLE ASSEMBLY, 296 SIGNAL POSITION													
DIMENSIONS: mm		PRODUCT SPEC -	-													
TOLERANCES UNLESS OTHERWISE SPECIFIED:		APPLICATION SPEC -	RESTRICTED TO													
<table border="0"> <tr> <td>0 PLC</td> <td>±-</td> </tr> <tr> <td>1 PLC</td> <td>±0.3</td> </tr> <tr> <td>2 PLC</td> <td>±0.10</td> </tr> <tr> <td>3 PLC</td> <td>±0.050</td> </tr> <tr> <td>4 PLC</td> <td>±-</td> </tr> <tr> <td>ANGLES</td> <td>±2°</td> </tr> </table>		0 PLC	±-	1 PLC	±0.3	2 PLC	±0.10	3 PLC	±0.050	4 PLC	±-	ANGLES	±2°	WEIGHT -	SIZE A3	CAGE CODE 00779
0 PLC	±-															
1 PLC	±0.3															
2 PLC	±0.10															
3 PLC	±0.050															
4 PLC	±-															
ANGLES	±2°															
MATERIAL -	FINISH -	CUSTOMER DRAWING	DRAWING NO C-1761617	SCALE 1:1												
		SHEET 4 OF 4		REV B5												

printed on 25 Apr 2021 19:02 from FRO19828