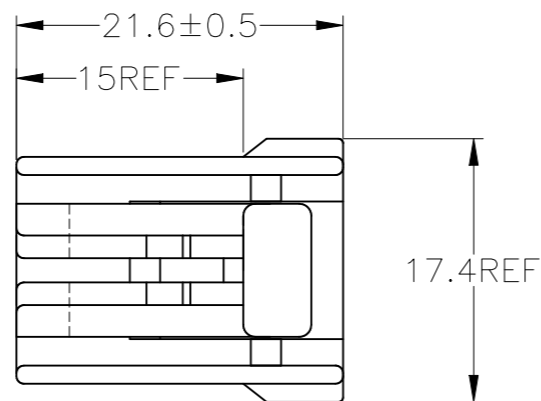
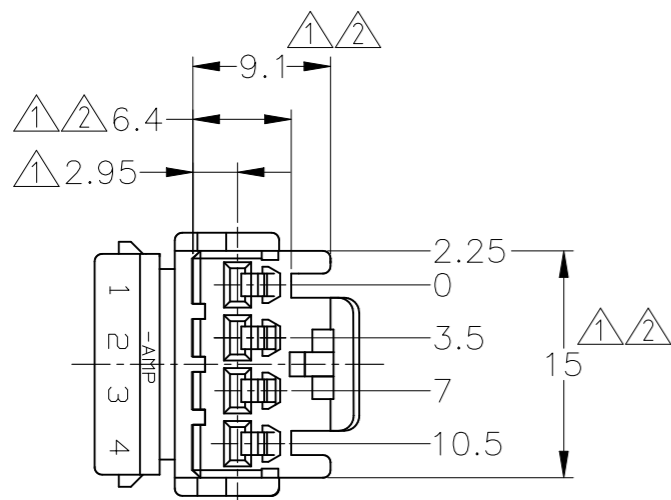
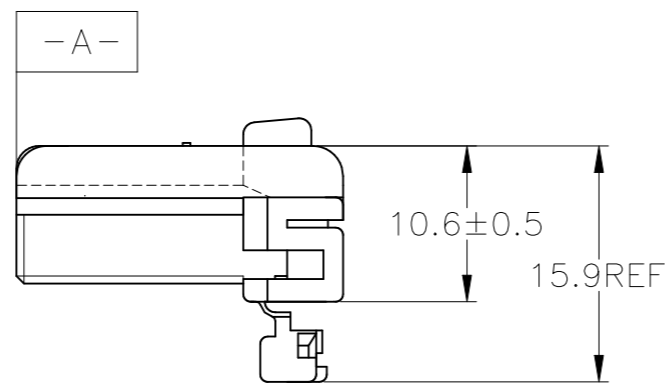


REVISIONS 変更					
P	LTR	DESCRIPTION	DATE	DWN	APVD
	B2	REDRAWN W/CHANGE ECR-12-021403	13DEC2012	TS	KB
	B3	REVISED PER ECR-22-154022	24NOV2022	RK	MT



- ⚠ MUST BE KEPT BETWEEN [-A-] AND 2
- ⚠ TO BE MATED WITH THE CAP HOUSING SMOOTHLY
- 3. APPLIED RECEPTACLE CONTACT PART NUMBER; 173630 AND 173631
- 4. APPLIED CAP HOUSING; 174929

- ⚠ [-A-] 面より2mmの範囲で測定
- ⚠ 相手ハウジングと所定の機能を満足して嵌合できること
- 3. 内装するリセプタクルコンタクト型番173630 及び 173631
- 4. 嵌合相手ハウジング型番; 174929



	淡灰色 (LIGHT GRAY)	6-174922-6
	黄 (YELLOW)	174922-7
OBSOLETE	灰 (GRAY)	174922-6
OBSOLETE	青 (BLUE)	174922-5
	緑 (GREEN)	174922-4
	黒 (BLACK)	174922-2
	自然色 (NATURAL)	174922-1
	色 (COLOR)	型番 (PART NUMBER)

TOLERANCES UNLESS OTHERWISE SPECIFIED: 一般公差	
10 _±	: ±0.2
30 _±	> 10 : ±0.25
100 _±	> 30 : ±0.3
ANGLE : ±3°	

THIS DRAWING IS A CONTROLLED DOCUMENT.	
DIMENSIONS: 単位: 耗 mm	TOLERANCES UNLESS OTHERWISE SPECIFIED: 一般公差
	0 PLC ± -
	1 PLC ± -
	2 PLC ± -
	3 PLC ± -
	4 PLC ± -
	ANGLES ± -
MATERIAL 材料 PBT	FINISH 仕上 -

DWN T.SHINOHARA	13DEC2012
CHK K.BETSUI	13DEC2012
APVD K.BUTSUI	13DEC2012
PRODUCT SPEC 製品規格 108-5264	
APPLICATION SPEC 取付適用規格	
WEIGHT	-

STE TE Connectivity			
070 SERIES MULTI-LOCK CONNECTOR 4POSITION PLUG HOUSING			
SIZE	CAGE CODE	DRAWING NO 番号	RESTRICTED TO
A3	00779	C-174922	-
CUSTOMER DRAWING		SCALE 尺度 2:1	SHEET 1 OF 1
		REV B3	