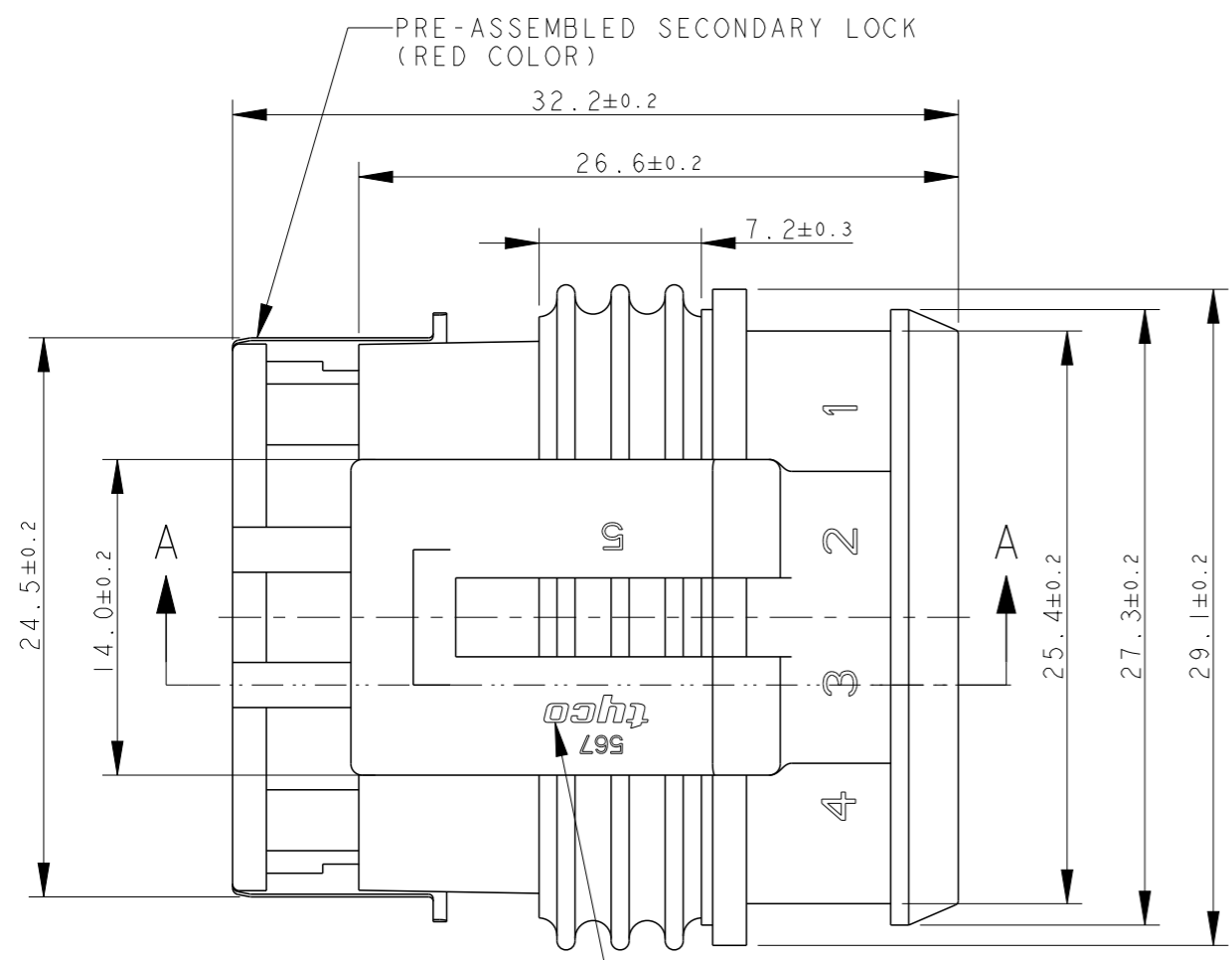
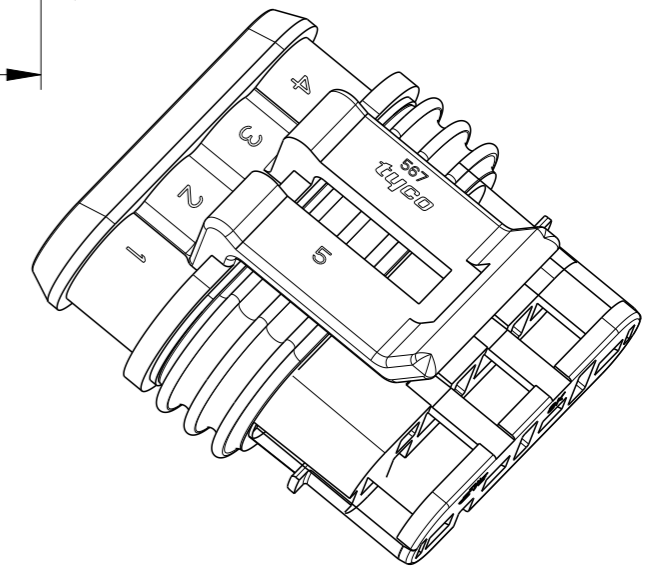
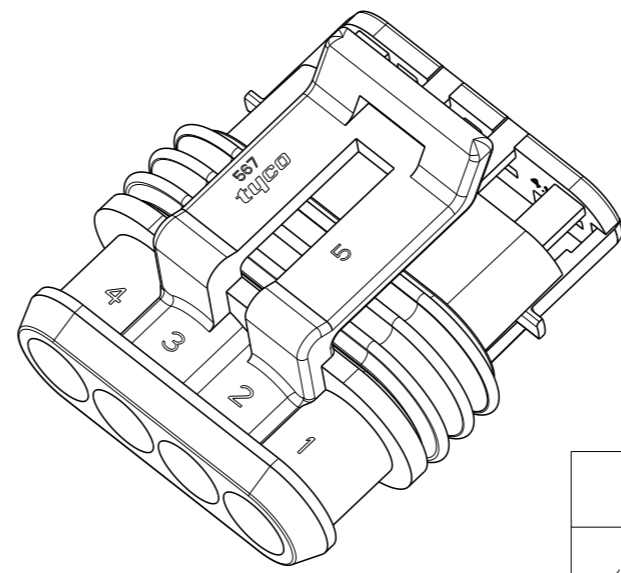
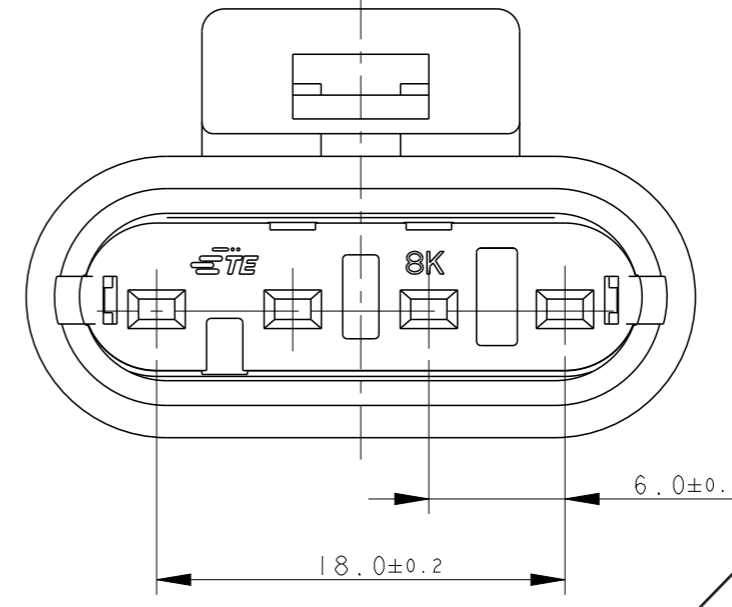
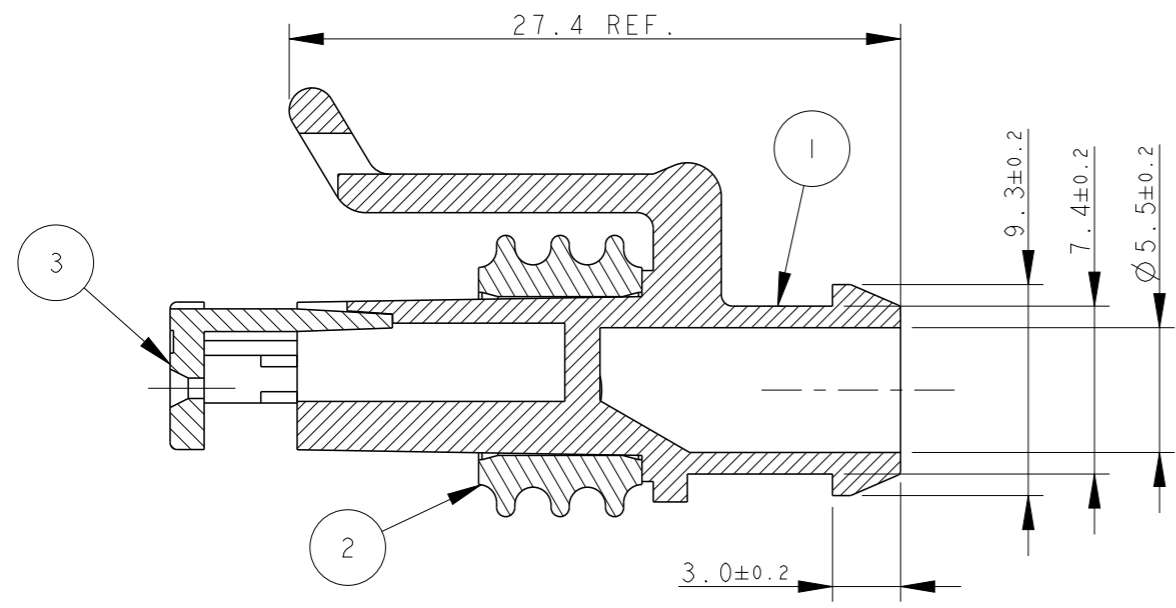


THIS DRAWING IS UNPUBLISHED. RELEASED FOR PUBLICATION 20
 © COPYRIGHT 20 BY - ALL RIGHTS RESERVED.

REVISIONS					
P	LTR	DESCRIPTION	DATE	DWN	APVD
	B	ECR-14-009314	24MAR2015	M.P.	M.G.
	B1	REVISED PER ECO-17-001706	10FEB2017	C.A.	M.G.

SECTION A - A



COLORE (COLOUR)	MATERIALE (MATERIAL)	DESCRIZIONE (DESCRIPTION)	ITEM N.	PART NUMBER
ROSSO (RED)	PA66-GF	AGGANCIIO SECOND. (SEC. LOCK)	3	1745101-1
GIALLO (YELLOW)	SILICONE RUBBER	GUARNIZIONE (SEALING)	2	
ARANCIO (ORANGE)	PA66-GF	BLOCCETTO (HOUSING)	1	

THIS DRAWING IS A CONTROLLED DOCUMENT.		DWN M. PALMA 11MAR2008
DIMENSIONS: mm		CHK R. MARTINI 11MAR2008
TOLERANCES UNLESS OTHERWISE SPECIFIED:		APVD A. GENTA 11MAR2008
0 PLC ±-	1 PLC ±0.3	PRODUCT SPEC 108-20090
2 PLC ±-	3 PLC ±-	APPLICATION SPEC 412-20000
4 PLC ±-	ANGLES ±2°	WEIGHT -
MATERIAL SEE TABLE (VEDI TABELLA)	FINISH SEE TABLE (VEDI TABELLA)	CUSTOMER DRAWING

STE TE Connectivity			
NAME AMP SUPERSEAL 1.5 SRS. 4 POS. REC.CONN. ASS'Y WITH CLOSED CAVITIES			
SIZE A3	CAGE CODE -	DRAWING NO. C-1745101	RESTRICTED TO -
SCALE 3:1		SHEET 1 OF 1	REV B1

TE CONNECTIVITY TRADE MARK (IN ALTERNATIVE: "AMP" LOGO OR "Tyco Electronics" LOGO)