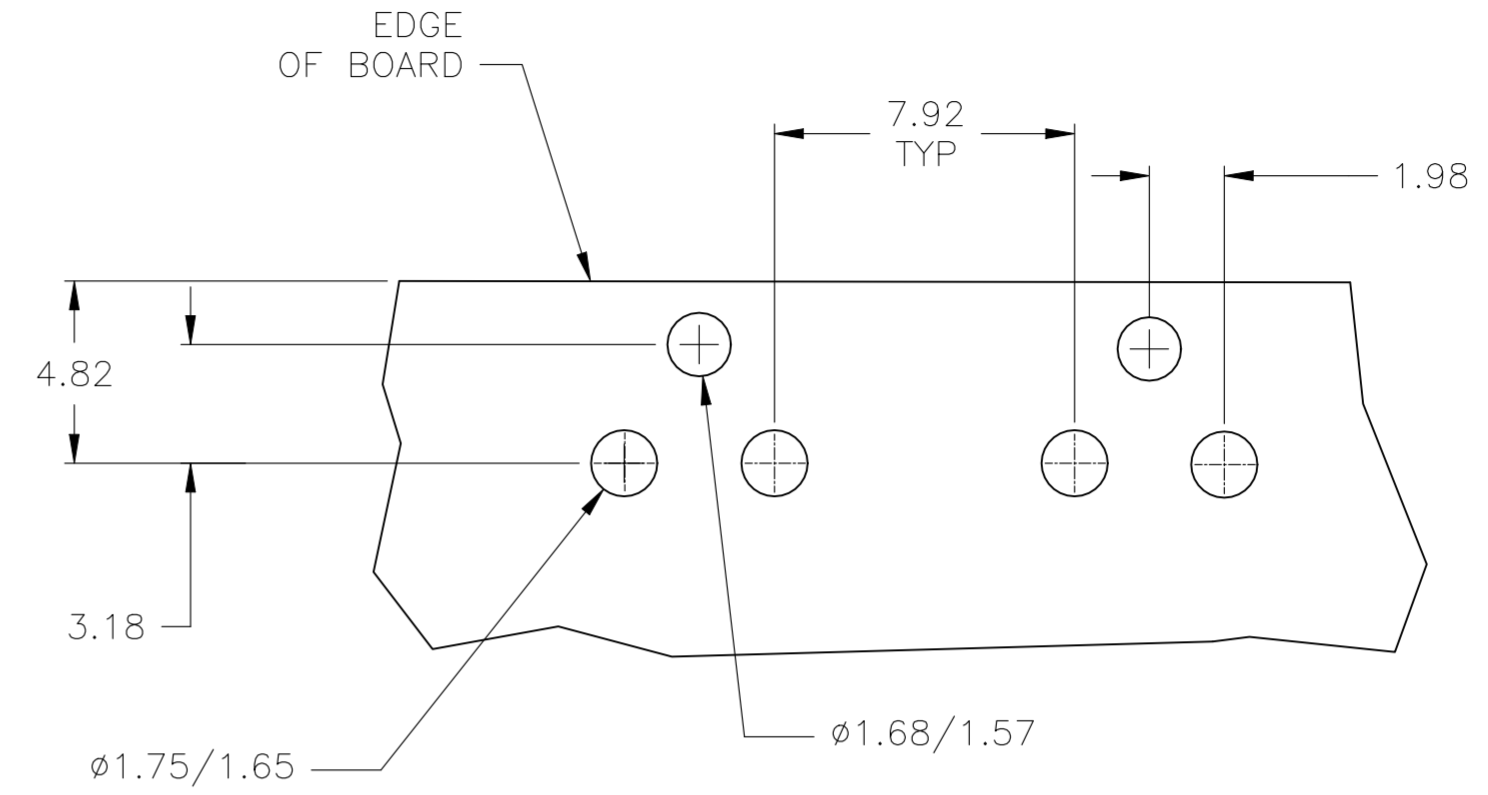
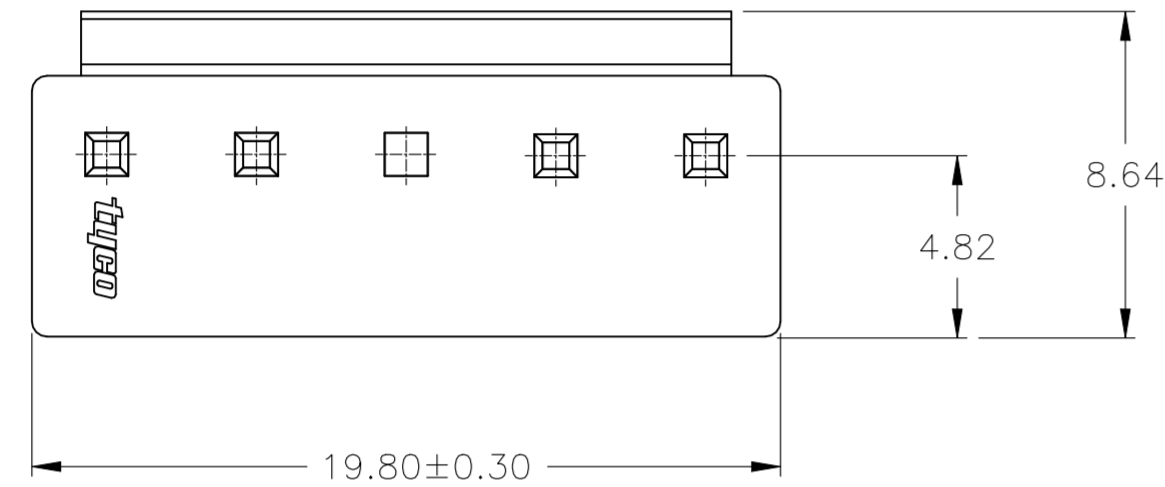
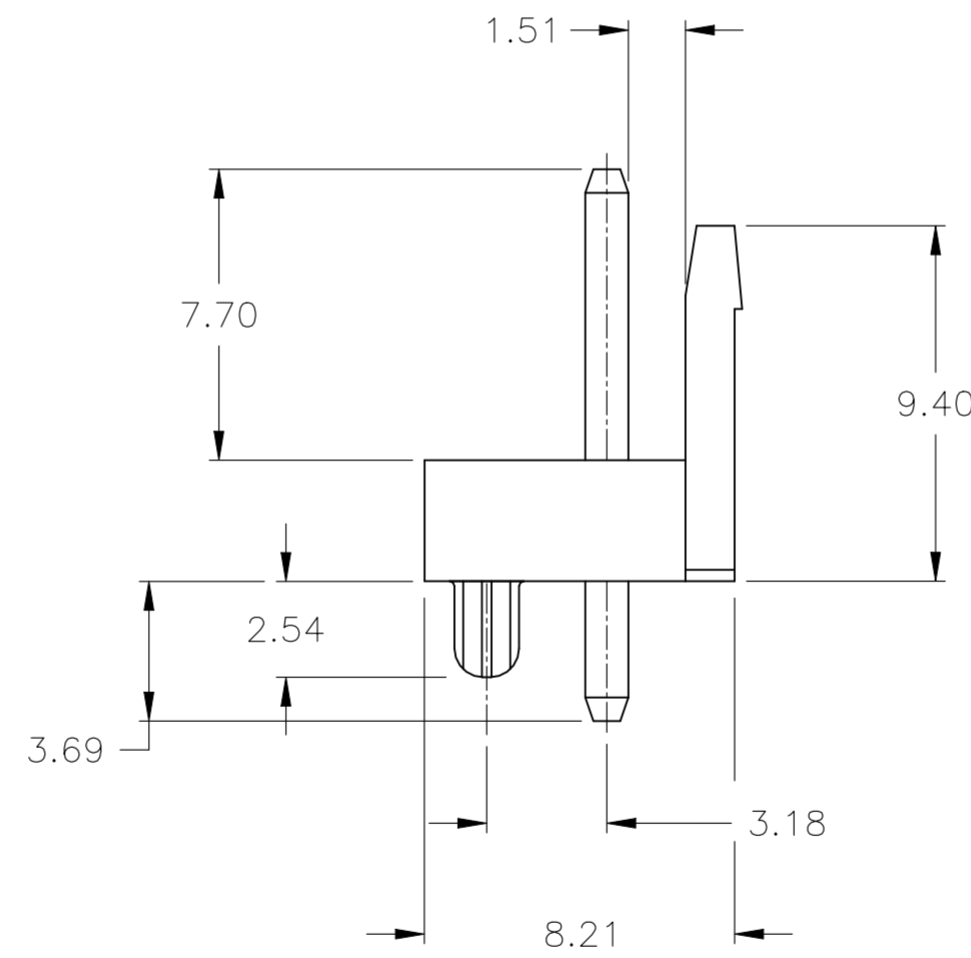
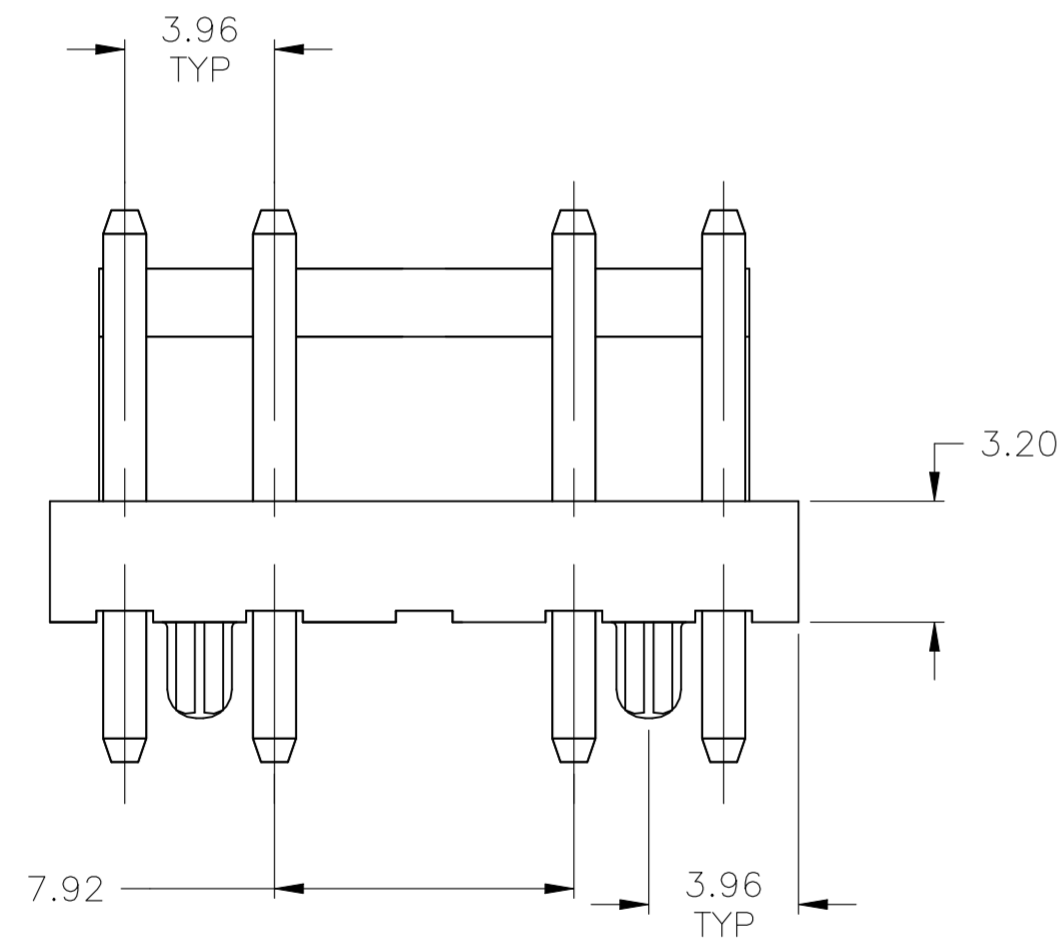


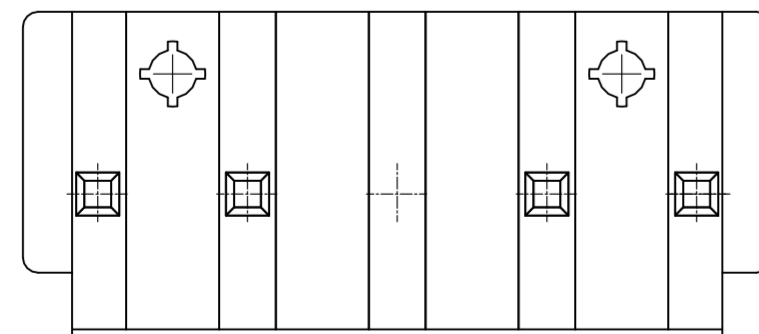
REVISIONS					
P	LTR	DESCRIPTION	DATE	DWN	APVD
E		REVISED PER ECR-23-165705	18AUG2023	WH	LC



RECOMMENDED MOUNTING HOLE PATTERN FOR 1.6 THICK PC BOARD



- 1 HOUSING MATERIAL: NYLON 66 UL94V-0.
- 2 CONTACT MATERIAL: BRASS.
- 3 CONTACT PLATING: 3 MICRONS MIN TIN OVER 1 MICRON MIN NICKEL.



3	RED	1744291-5
3	NATURAL	1744291-1
POST OMITTED	COLOR	PART NUMBER

THIS DRAWING IS A CONTROLLED DOCUMENT.		DWN K. WHITAKER 20DEC2007	<b>STE</b> TE Connectivity	
DIMENSIONS: mm		CHK S. RIDGILL 20DEC2007		
TOLERANCES UNLESS OTHERWISE SPECIFIED:		APVD S. RIDGILL 20DEC2007	NAME	
0 PLC ±		PRODUCT SPEC	108-5609	
1 PLC ±		APPLICATION SPEC	114-5253	
2 PLC ± 0.13		WEIGHT	SIZE	CAGE CODE
3 PLC ±		FINISH	A2	00779
4 PLC ±		SEE NOTES	DRAWING NO	
ANGLES ±		C=1744291		
MATERIAL		CUSTOMER DRAWING		RESTRICTED TO
SEE NOTES		SCALE N/A		SHEET 1 OF 1
		REV E		

METRIC