

4

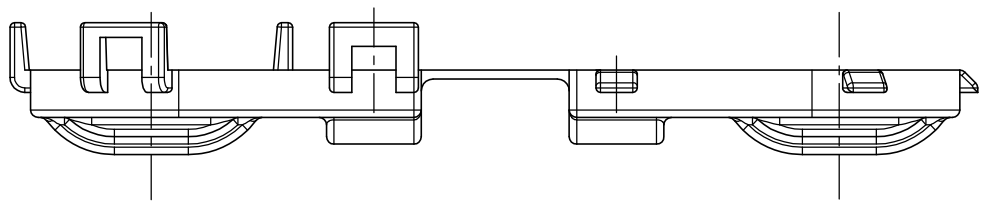
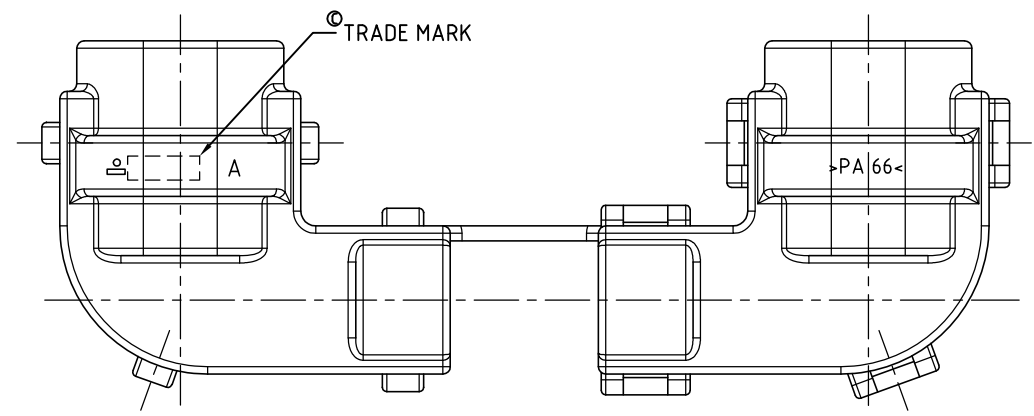
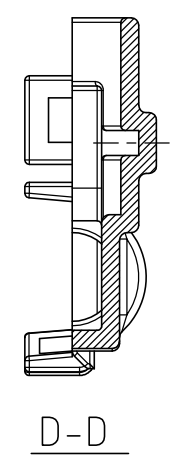
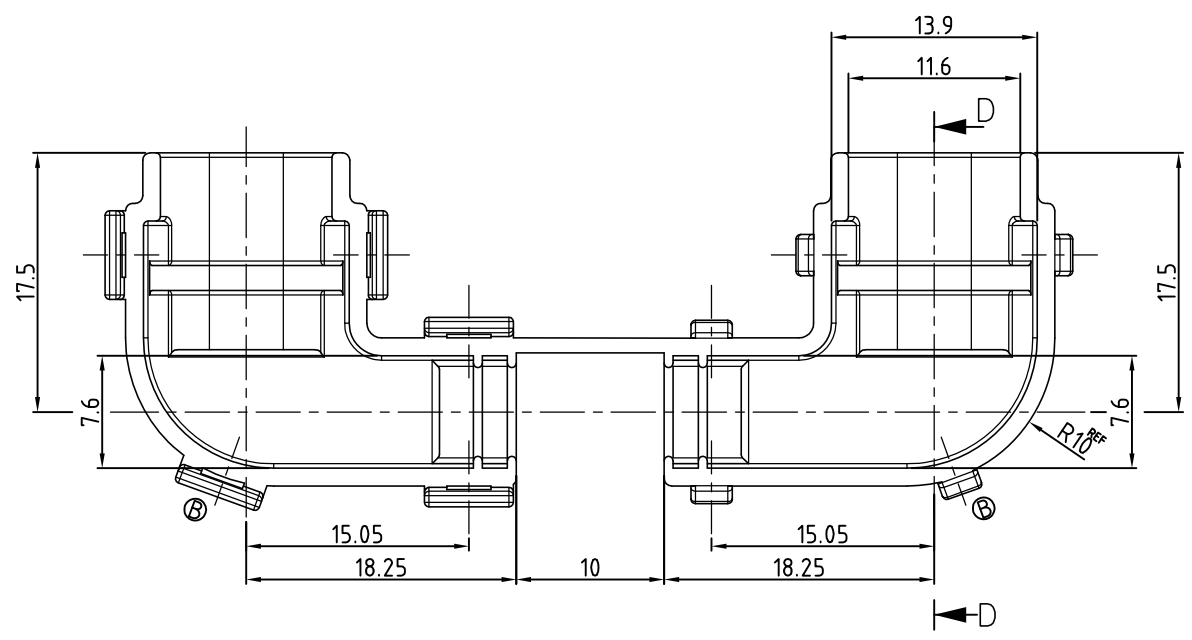
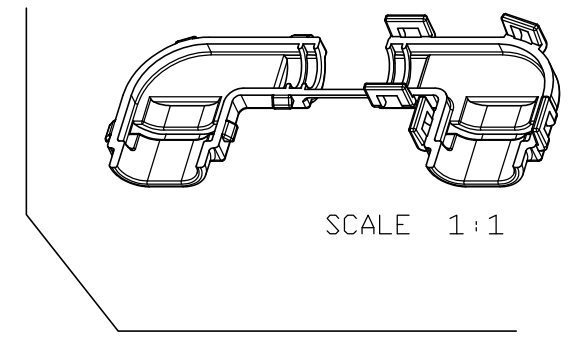
3

2

1

THIS DRAWING IS UNPUBLISHED. RELEASED FOR PUBLICATION
 © COPYRIGHT BY TYCO ELECTRONICS CORPORATION. ALL RIGHTS RESERVED.

LOC	DIST	REVISIONS					
		P	LTR	DESCRIPTION	DATE	DWN	APVD
DS	-		B	REVISED (ECR-05-017114)	05/DEC/05	YH	JK
			C	REVISED (ECR-10-025377)	14/DEC/10	SJ	HG



- NOTE.
1. APPLICABLE CORRUGATOR DIAMETER : $\phi 5.0$
 2. APPLICABLE PLUG HSG P/N : 936059
 3. APPLICATION TEST SPEC:MS210-06-C (EXCEPT 4.4)

0-1743544-2	PA 66	BLACK
PART NUMBER	MATERIAL	COLOR

<small>THIS DRAWING IS A CONTROLLED DOCUMENT FOR TYCO ELECTRONICS CORPORATION IT IS SUBJECT TO CHANGE AND THE CONTROLLING ENGINEERING ORGANIZATION SHOULD BE CONTACTED FOR THE LATEST REVISION.</small>		DWN : SJ CHOI			
DIMENSIONS: mm		CHK : JW JUNG			
 3rd ANGLE PROJECTION		APVD : HG CHO		NAME	
		PRODUCT SPEC		COVER HSG FOR	
MATERIAL		APPLICATION SPEC		2.8 mm SEALED 2P PLUG CONN'R(FOR CM)	
		FINISH		RESTRICTED TO	
		WEIGHT		SIZE	
		CUSTOMER DRAWING		CAGE CODE	
				DRAWING NO	
				A3 00779	
				C-1743544	
				SCALE 2/1 SHEET 1 OF 1 REV C	