

4

3

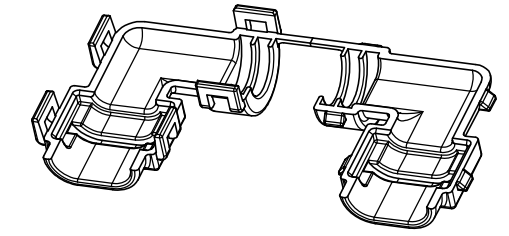
2

1

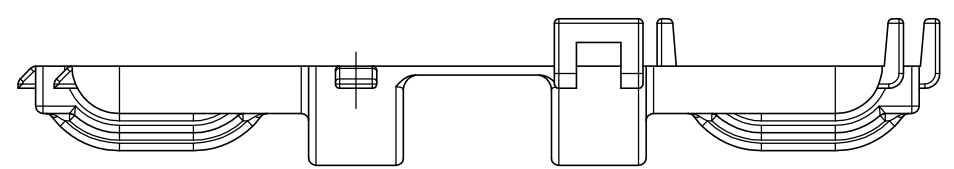
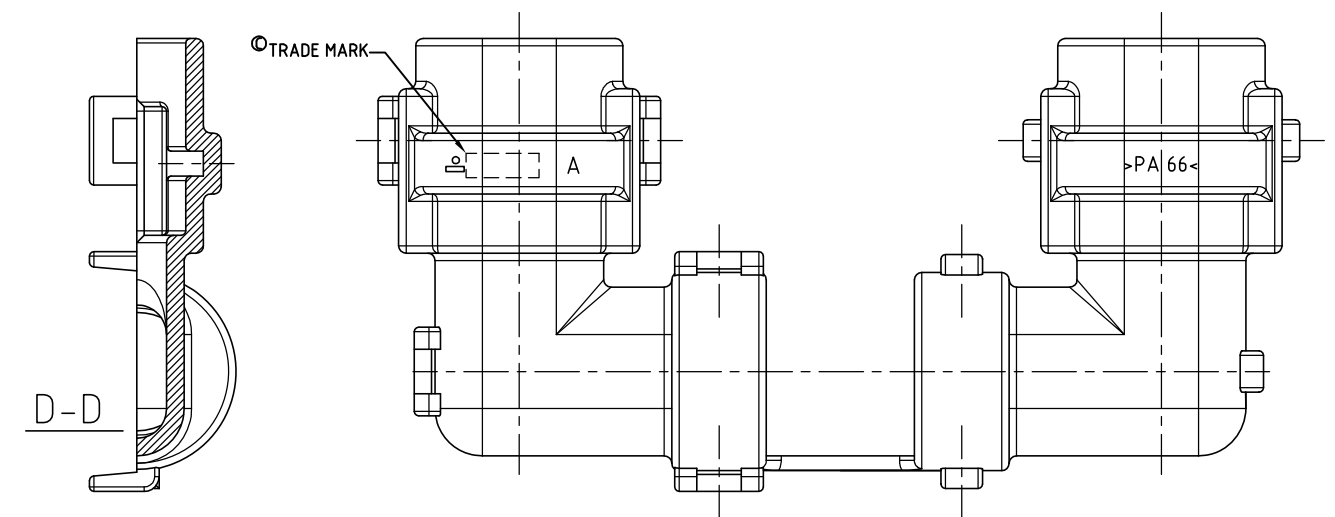
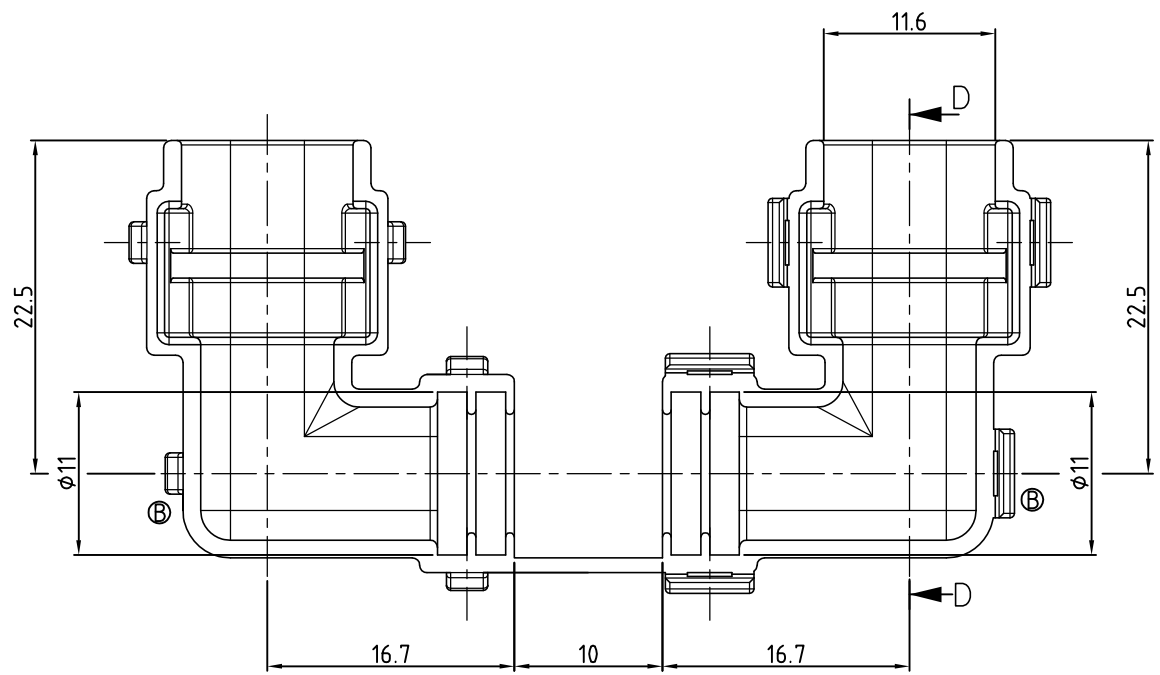
THIS DRAWING IS UNPUBLISHED. RELEASED FOR PUBLICATION

© COPYRIGHT BY TYCO ELECTRONICS CORPORATION. ALL RIGHTS RESERVED.

LOC	DIST	REVISIONS					
		P	LTR	DESCRIPTION	DATE	DWN	APVD
DS	-		B	REVISED (ECR-06-002743)	03/FEB/06	YH	JK
			C	REVISED (ECR-10-025377)	13/DEC/10	SJ	HG



SCALE 1:1



- NOTE.
1. APPLICABLE CORRUGATOR DIAMETER :  $\phi 7.0$
  2. APPLICABLE PLUG HSG P/N : 936059
  3. APPLICATION TEST SPEC:MS210-06-C (EXCEPT 4.4)

0-1743451-2	PA 66	BLACK
PART NUMBER	MATERIAL	COLOR

<small>THIS DRAWING IS A CONTROLLED DOCUMENT FOR TYCO ELECTRONICS CORPORATION. IT IS SUBJECT TO CHANGE AND THE CONTROLLING ENGINEERING ORGANIZATION SHOULD BE CONTACTED FOR THE LATEST REVISION.</small>		<b>TE</b> TE Connectivity	
DIMENSIONS: mm  3rd ANGLE PROJECTION	TOLERANCES UNLESS OTHERWISE SPECIFIED:  DECIMALS ; $\pm 0.3$ ANGLES ; $\pm 3'$	DWN : SJ CHOI	NAME COVER HSG FOR 2.8 mm SEALED 2P PLUG CONN'R
		CHK : JW JUNG	
MATERIAL	FINISH	PRODUCT SPEC	SIZE CAGE CODE DRAWING NO RESTRICTED TO A3 00779 C-1743451
		APPLICATION SPEC	
		WEIGHT	SCALE 2/1 SHEET 1 OF 1 REV C
		CUSTOMER DRAWING	