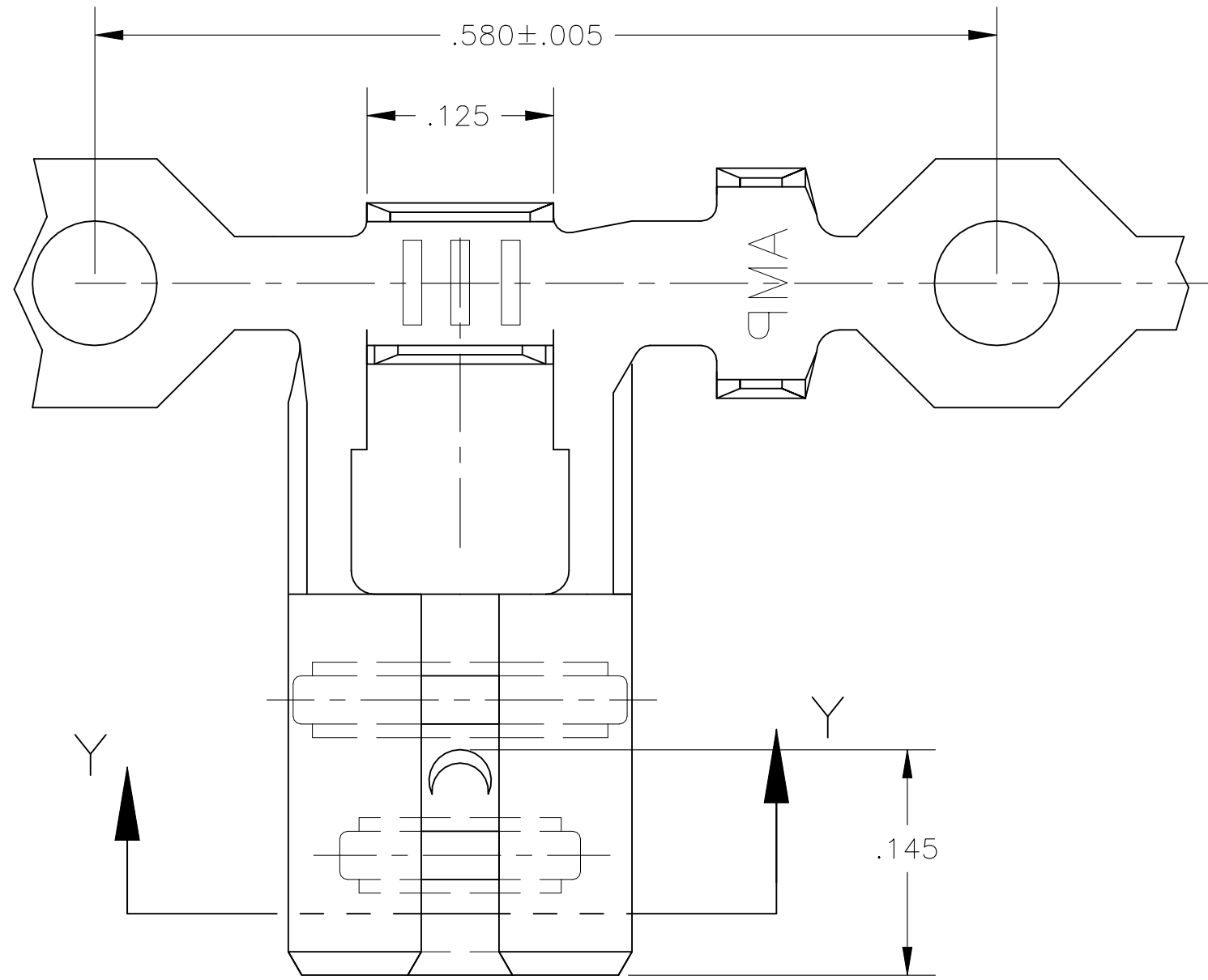
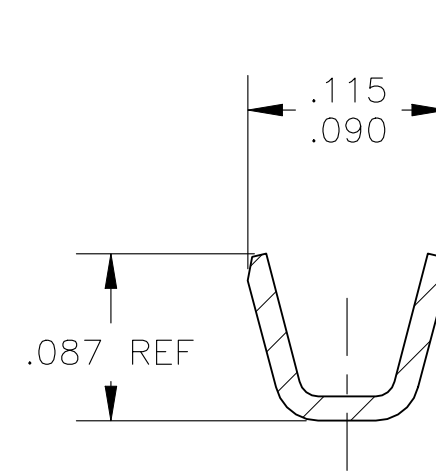


THIS DRAWING IS UNPUBLISHED. RELEASED FOR PUBLICATION
 © COPYRIGHT - By - ALL RIGHTS RESERVED.

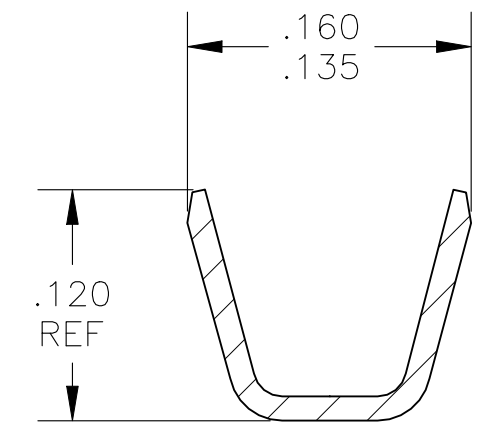
LOC		DIST		REVISIONS			
P	LTR	DESCRIPTION		DATE	DWN	APVD	
AF	14	D2	REVISED PER ECR-20-100879		25MAR2021	BDA	AF



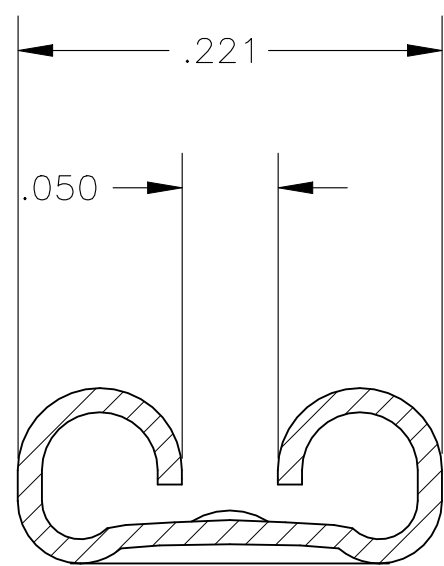
- 1 CONTINUOUS STRIP ON REELS
- 2 WIRE SIZE IS 22-18 AWG
- 3 INSULATION RANGE IS .060-.110 DIA.
- 4 MATING TAB THK IS .032±.001
- 5 PACKAGING REEL O.D. IS 14.000 (REF.)
- 6 UL APPROVAL PENDING



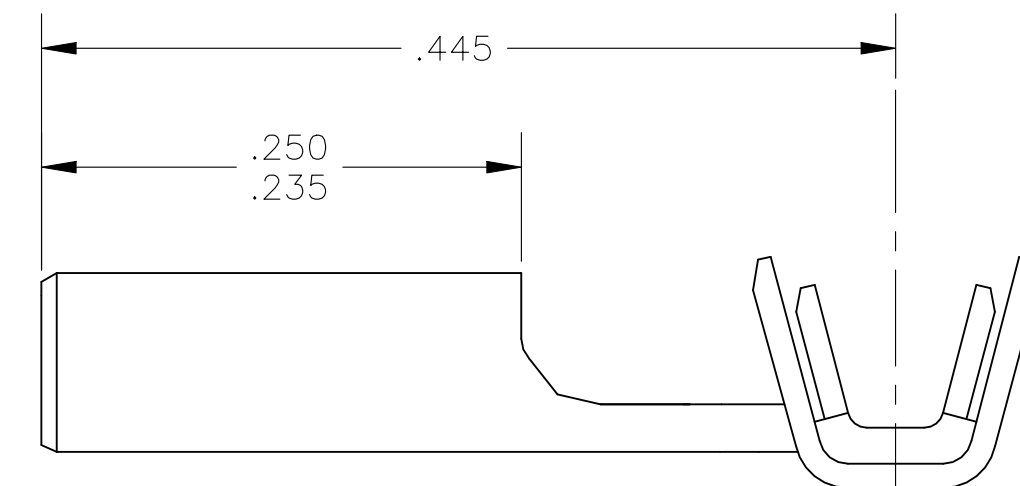
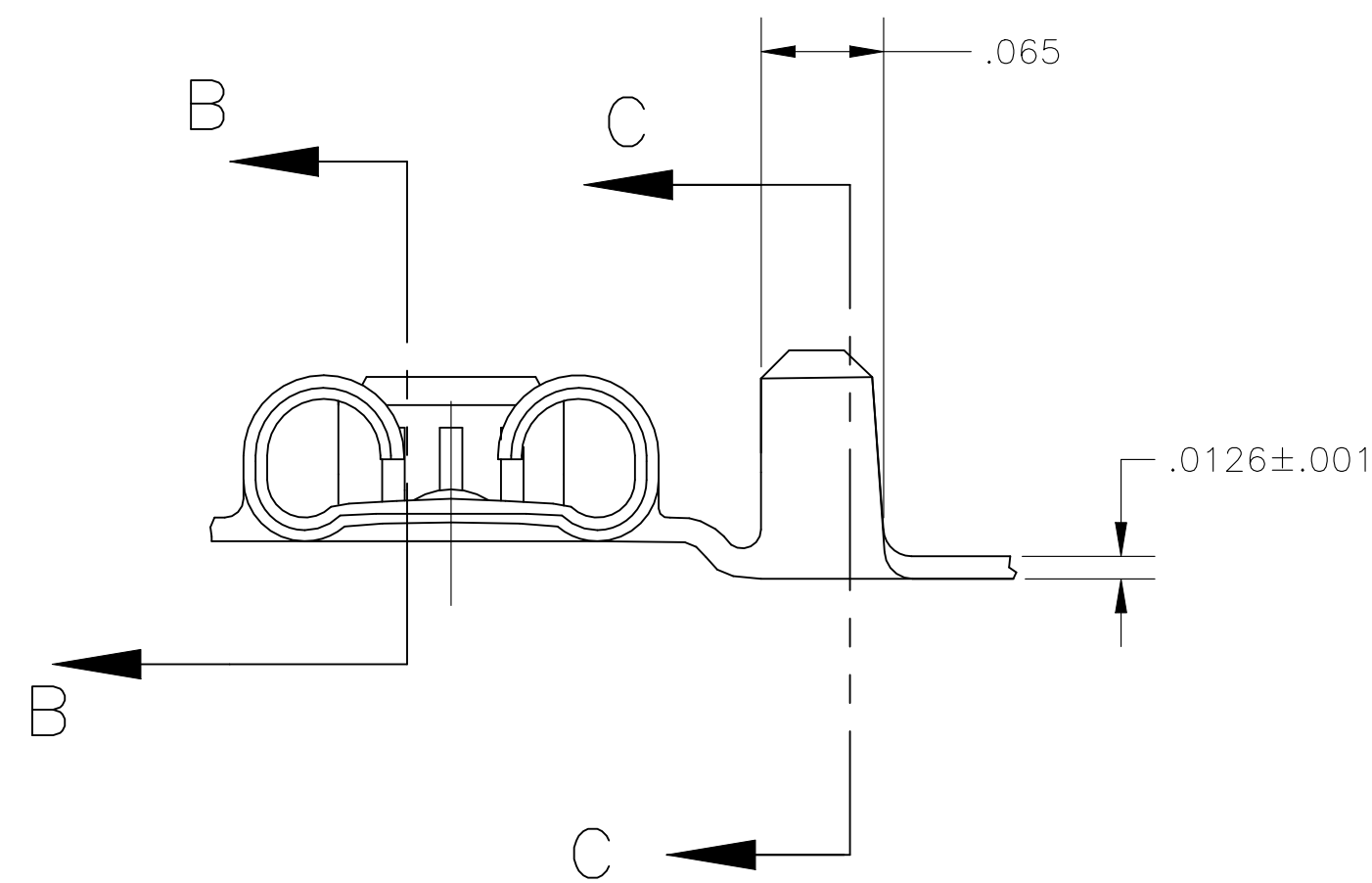
SECTION B-B



SECTION C-C



SECTION Y-Y



6	5	PLAIN	1742087-3
		TIN	1742087-2
		PLAIN	1742087-1
		FINISH	PART NO

THIS DRAWING IS A CONTROLLED DOCUMENT.		DWN	JR RUTH	04mar04	STE TE Connectivity		
DIMENSIONS: INCHES		CHK	P DESANTIS	04MAR04			
TOLERANCES UNLESS OTHERWISE SPECIFIED:		APVD	P DESANTIS	04MAR04	NAME		
0 PLC	± -	PRODUCT SPEC		RECEPTACLE, FASTON, FLAG, .187 SERIES			
1 PLC	± -	APPLICATION SPEC		SIZE	CAGE CODE	DRAWING NO	RESTRICTED TO
2 PLC	± -	114-2079		A2	00779	C=1742087	-
3 PLC	± .010	WEIGHT		SCALE		SHEET	REV
4 PLC	± -	MATERIAL		10:1		1 of 1	D2
ANGLES	± 2°	FINISH		CUSTOMER DRAWING			
SEE TABLE							