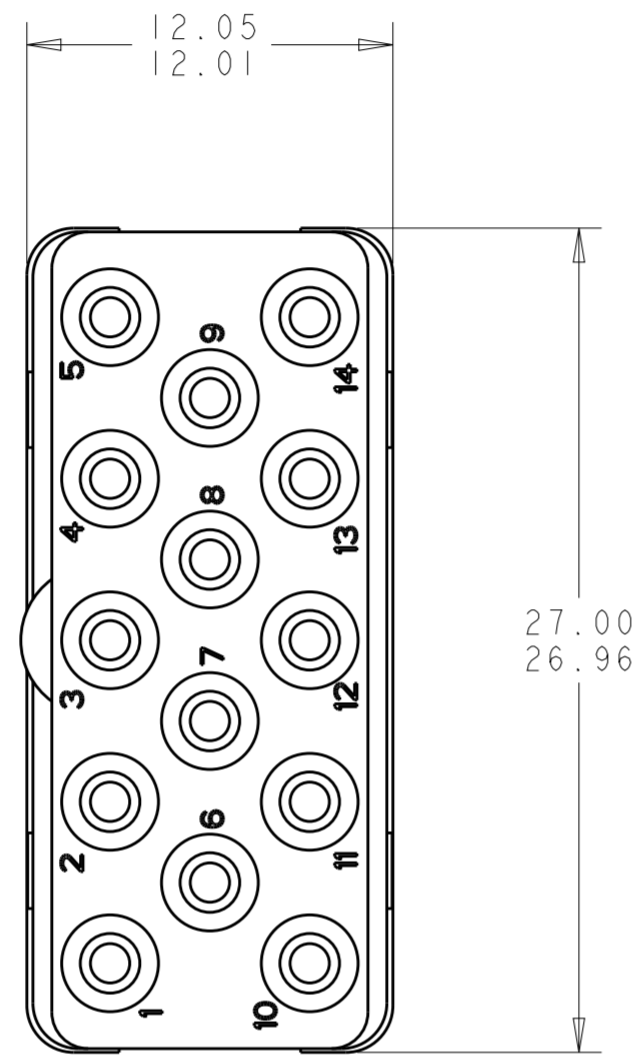
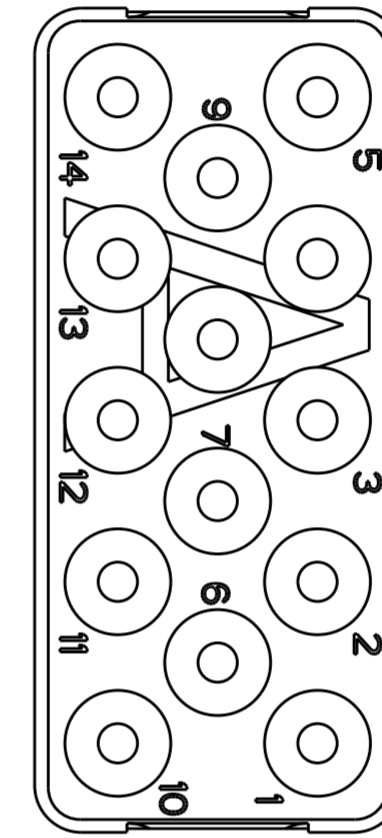
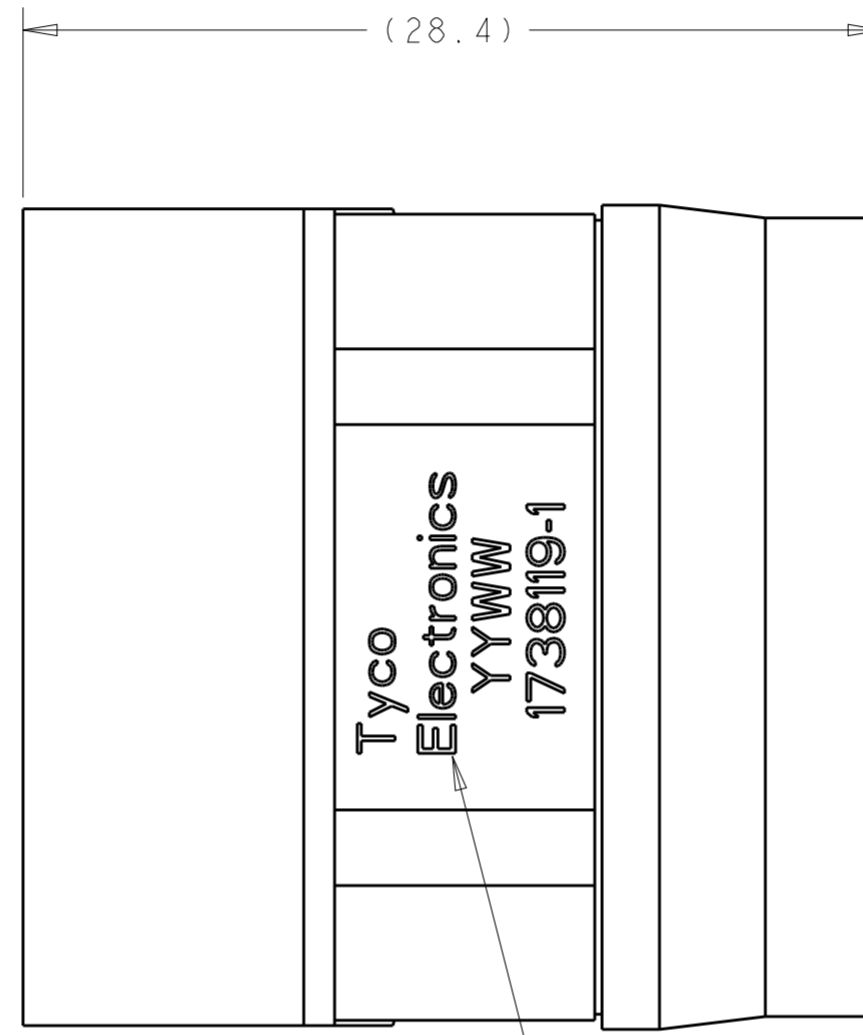


THIS DRAWING IS UNPUBLISHED. RELEASED FOR PUBLICATION 20  
 © COPYRIGHT 20 BY - ALL RIGHTS RESERVED.

REVISIONS				
P	LTR	DESCRIPTION	DATE	APVD
A		RELEASED PER ECO-16-004435	15APR2016	KG EO



MATING FACE



REAR FACE

1 FRONT & REAR INSULATOR: HIGH-TEMP THERMOPLASTIC OR THERMOSET EPOXY PER ASTM D5948.  
 CONTACT RETENTION CLIPS: STAINLESS STEEL PER AISI 302 OR COPPER ALLOY PER ASTM B194  
 REAR GROMMET: FLUOROSILICONE ELASTOMER PER MIL-R-25988 B EXCEPT 4.6.6.1

2 DATE CODE: YEAR & WEEK (YY WW)

3. DESCRIPTIVE PART NUMBER GPRBE14SA  
 THIS INSERT CONTAINS: 14 CAVITIES FOR SIZE 16 SOCKET CONTACTS.

4. THIS PRODUCT IS SOLD BY TE CONNECTIVITY UNDER A LICENSE FROM RADIALL SA.

617999251	1738119-1
RADIALL PART NUMBER	PART NUMBER

THIS DRAWING IS A CONTROLLED DOCUMENT.		DWN BH	29 JUN 2006	TE Connectivity
DIMENSIONS:		CHK	29 JUN 2006	
mm		APVD	29 JUN 2006	
TOLERANCES UNLESS OTHERWISE SPECIFIED:		PRODUCT SPEC		
0 PLC	±	APPLICATION SPEC		NAME INSERT ASSEMBLY, SOCKET, ENVIRONMENTAL, ARRANGEMENT 14, KEY A, GPRB
1 PLC	±0.1	WEIGHT		
2 PLC	±0.05	CUSTOMER DRAWING		SIZE A2
3 PLC	±	SCALE	4:1	CAGE CODE A200779
4 PLC	±	SHEET	OF	DRAWING NO C-1738119
ANGLES	±1°	REV	A	RESTRICTED TO
FINISH	-			