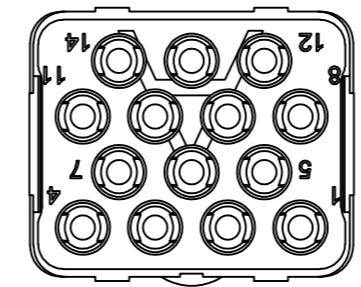
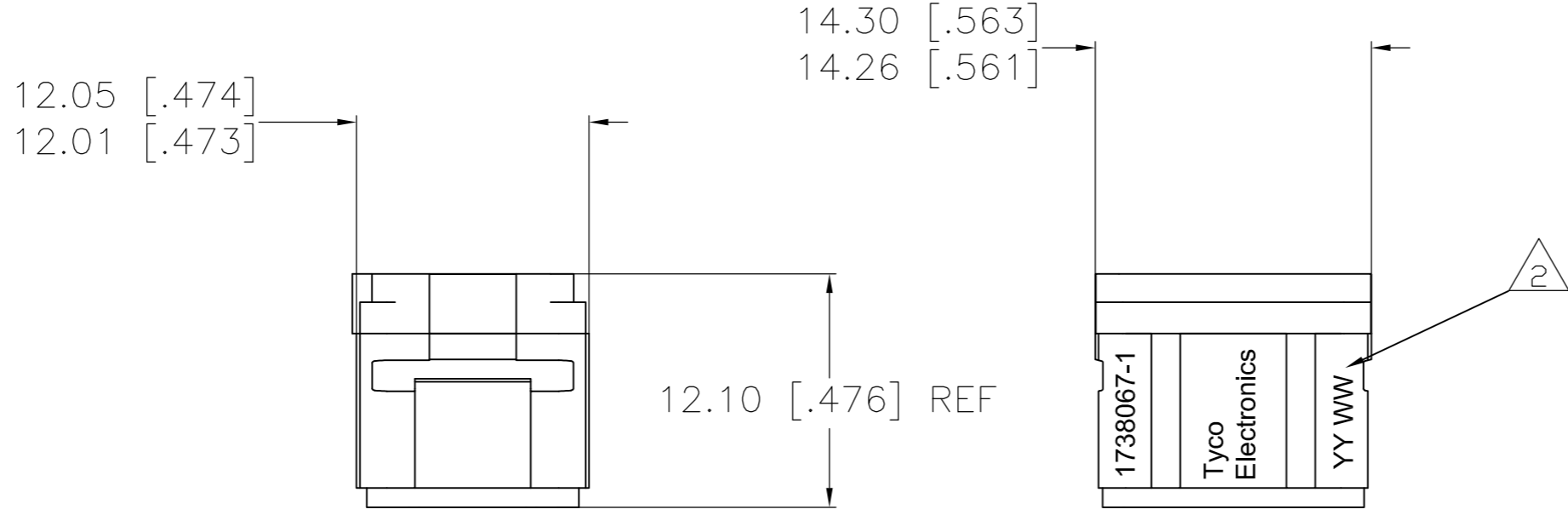
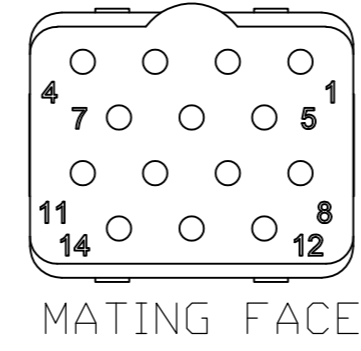


THIS DRAWING IS UNPUBLISHED. RELEASED FOR PUBLICATION
 © COPYRIGHT BY TYCO ELECTRONICS CORPORATION. ALL INTERNATIONAL RIGHTS RESERVED.

LOC	DIST	REVISIONS				
P	LTR	DESCRIPTION	DATE	DWN	APVD	
DF	00	0	CONVERTED RADIALL DWG TO TYCO ACAD DWG	11/03	—	—
		1	REVISED	22APR10	RF	JM

- 1 FRONT AND REAR INSULATORS: THERMOSET EPOXY PER ASTM D 5948
CONTACT RETENTION CLIPS: COPPER ALLOY PER ASTM B194
- 2 DATE CODE: YEAR & WEEK (YYWW)
- 3. DESCRIPTIVE PART NUMBER: GPRAN14PA
THIS INSERT CONTAINS 14 CAVITIES FOR SIZE 20 PIN CONTACTS
- 4. THIS PRODUCT IS SOLD BY TYCO ELECTRONICS UNDER A LICENSE FROM RADIALL SA.



THIS PRINT IS
PRELIMINARY
 UNQUALIFIED PRODUCT
 CONTACT PRODUCT ENGINEERING
 BEFORE USING THIS PRINT

1738067-1
 PART NUMBER

THIS DRAWING IS A CONTROLLED DOCUMENT.		DWN	NOV03	Tyco Electronics Corporation	
DIMENSIONS: mm [INCHES]		R FLAIG	NOV03	Harrisburg, PA 17105-3608	
TOLERANCES UNLESS OTHERWISE SPECIFIED:		CHK	NOV03	NAME	
0 PLC ± -		J MOSIER	NOV03	GPR-A PIN INSERT, CLASS N, CONTACT ARRANGEMENT 14	
1 PLC ± -		APVD	NOV03	SIZE	CAGE CODE
2 PLC ± 0.05 [.002]		J MOSIER	NOV03	A2	00779
3 PLC ± -		PRODUCT SPEC		DRAWING NO	RESTRICTED TO
4 PLC ± -		APPLICATION SPEC		C=1738067	—
ANGLES ± -		WEIGHT	—	SCALE	SHEET
FINISH		CUSTOMER DRAWING		1:1	1 of 1
1				REV	1