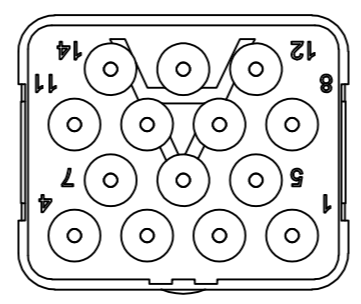
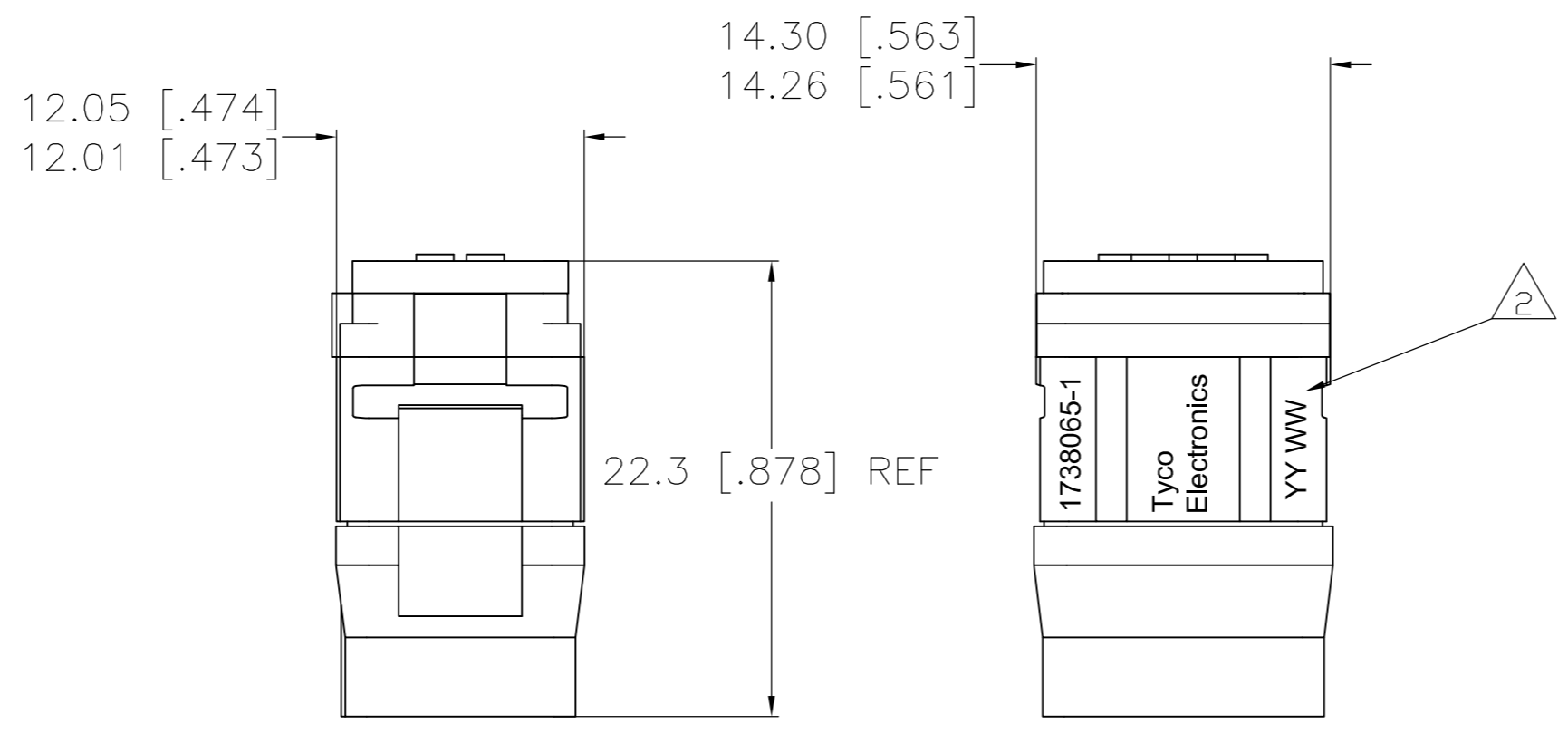


THIS DRAWING IS UNPUBLISHED. RELEASED FOR PUBLICATION  
 © COPYRIGHT BY TYCO ELECTRONICS CORPORATION. ALL INTERNATIONAL RIGHTS RESERVED.

LOC	DIST	REVISIONS				
P	LTR	DESCRIPTION	DATE	DWN	APVD	
		0	CONVERTED RADIALL DWG TO TYCO ACAD DWG	11/03	--	--
		1	REVISED	22APR10	RF	JM

- 1 FRONT AND REAR INSULATORS: THERMOSET EPOXY PER ASTM D 5948  
 CONTACT RETENTION CLIPS: COPPER ALLOY PER ASTM B194  
 REAR GROMMET & INTERFACIAL SEAL: FLUOROSILICONE ELASTOMER PER MIL-R-25988B, EXCEPT 4.6.6.1
- 2 DATE CODE: YEAR & WEEK (YYWW)
- 3. DESCRIPTIVE PART NUMBER: GPRAE14PA  
 THIS INSERT CONTAINS 14 CAVITIES FOR SIZE 20 PIN CONTACTS
- 4. THIS PRODUCT IS SOLD BY TYCO ELECTRONICS UNDER A LICENSE FROM RADIALL SA.



THIS PRINT IS  
**PRELIMINARY**  
 UNQUALIFIED PRODUCT  
 CONTACT PRODUCT ENGINEERING  
 BEFORE USING THIS PRINT

1738065-1  
 PART NUMBER

THIS DRAWING IS A CONTROLLED DOCUMENT.		DWN R FLAIG NOV03	Tyco Electronics Corporation Harrisburg, PA 17105-3608	
DIMENSIONS: mm [INCHES]		CHK J MOSIER NOV03	NAME GPR-A PIN INSERT, CLASS E, CONTACT ARRANGEMENT 14	
TOLERANCES UNLESS OTHERWISE SPECIFIED:		APVD J MOSIER NOV03	SIZE A2	CAGE CODE 00779
0 PLC ± -		PRODUCT SPEC	DRAWING NO C=1738065	RESTRICTED TO -
1 PLC ± -		APPLICATION SPEC	SCALE 1:1	SHEET 1 OF 1
2 PLC ± 0.05 [.002]		WEIGHT -	REV 1	
3 PLC ± -		CUSTOMER DRAWING		
4 PLC ± -				
ANGLES ± -				
FINISH -				