



4

3

2

1

THIS DRAWING IS UNPUBLISHED.

RELEASED FOR PUBLICATION

ALL RIGHTS RESERVED.

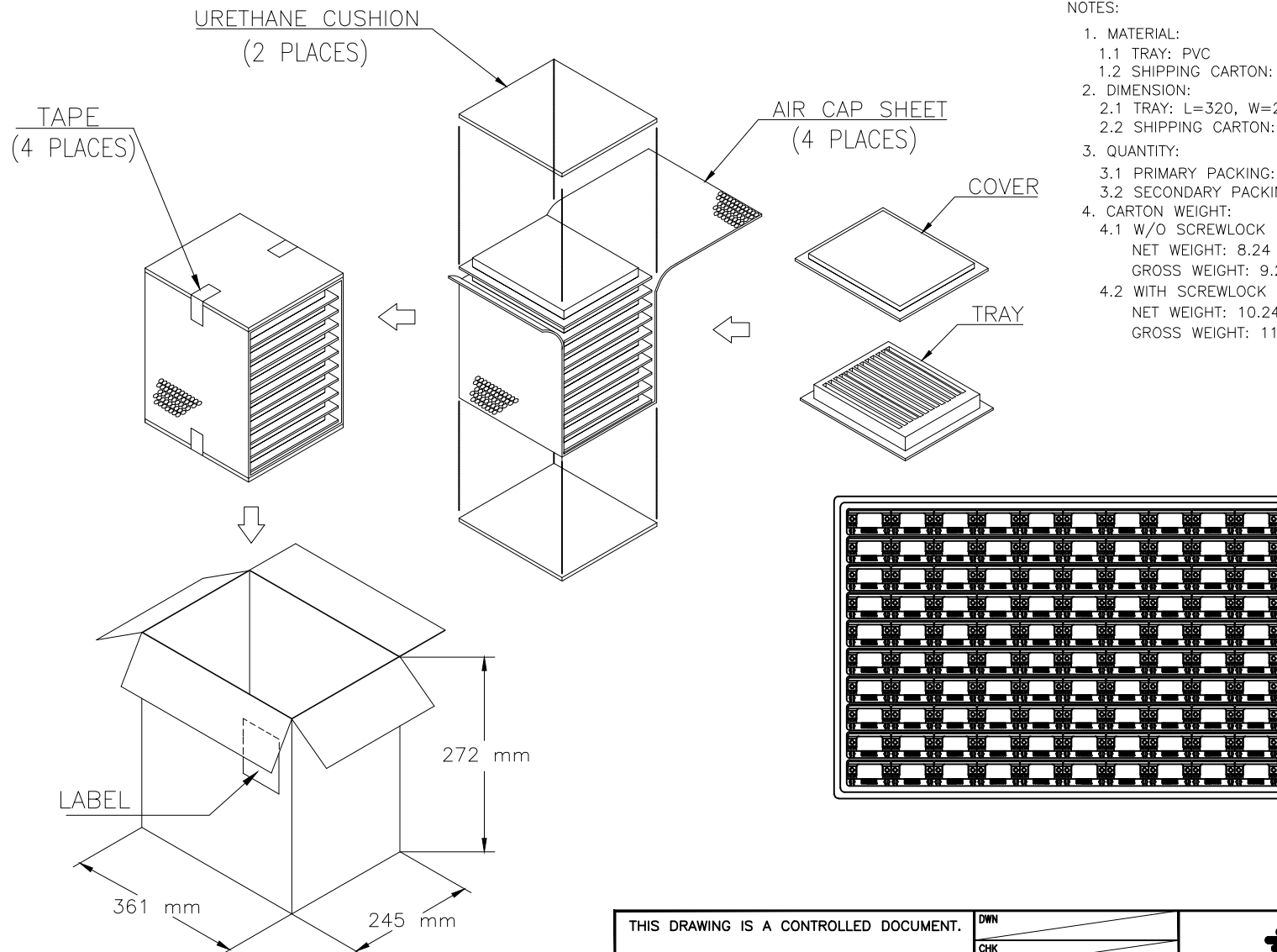
© COPYRIGHT - BY -

LOC DW

DIST

REVISIONS

P	LTR	DESCRIPTION	DATE	DWN	APVD
-	-	SEE SHEET 1.	-	-	-



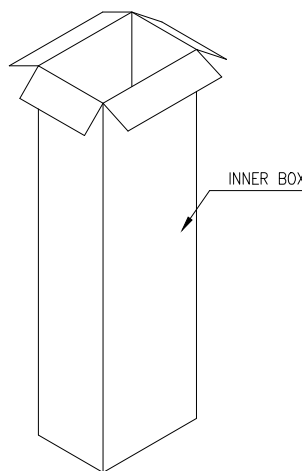
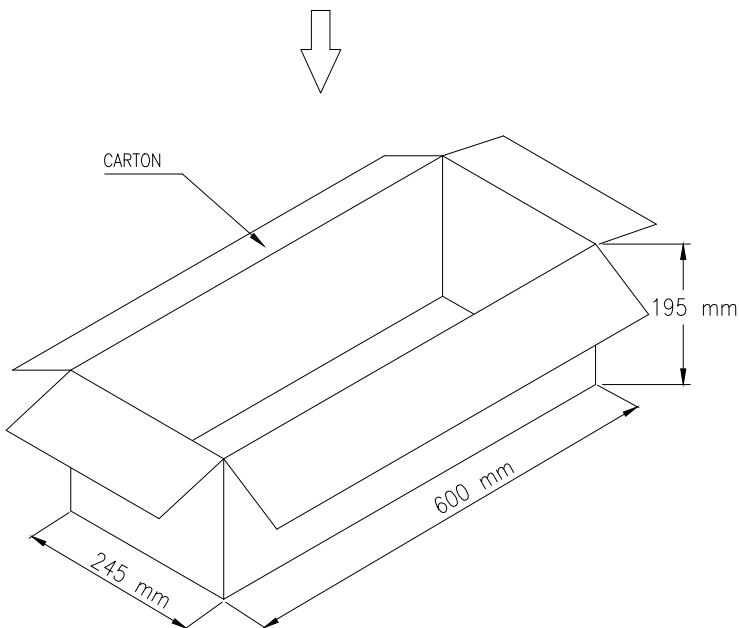
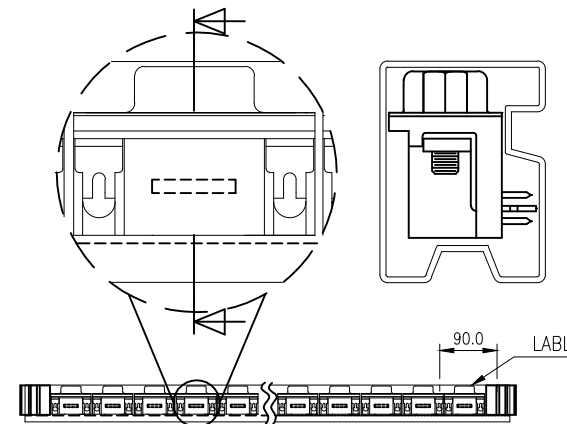
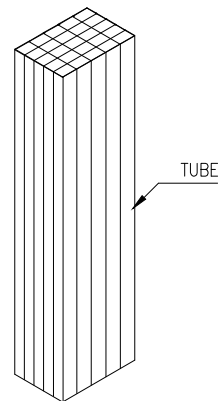
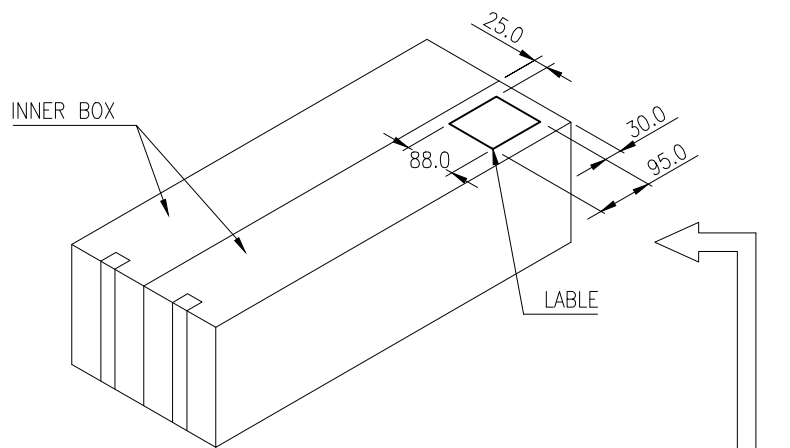
NOTES:

1. MATERIAL:
  - 1.1 TRAY: PVC
  - 1.2 SHIPPING CARTON: CORRUGATED FIBERBOARD
2. DIMENSION:
  - 2.1 TRAY: L=320, W=230, H=18.9
  - 2.2 SHIPPING CARTON: L=361, W=245, H=272
3. QUANTITY:
  - 3.1 PRIMARY PACKING: 100 PCS/TRAY
  - 3.2 SECONDARY PACKING: 10 TRAY/CARTON(1000PCS)
4. CARTON WEIGHT:
  - 4.1 W/O SCREWLOCK  
NET WEIGHT: 8.24 Kg  
GROSS WEIGHT: 9.24 Kg
  - 4.2 WITH SCREWLOCK  
NET WEIGHT: 10.24 Kg  
GROSS WEIGHT: 11.24 Kg

THIS DRAWING IS A CONTROLLED DOCUMENT.		DWN	TE Connectivity		
DIMENSIONS: MM		CHK			
		APVD	NAME		
TOLERANCES UNLESS OTHERWISE SPECIFIED:		PRODUCT SPEC	RCPT ASM, SZ 1, 15 POSN, RT ANG, FRONT METAL, SHELL AMPLIMITE HD-22		
0 PLC ± -		APPLICATION SPEC	SIZE	CAGE CODE	DRAWING NO
1 PLC ± -		WEIGHT	A3	00779	©=1734344
2 PLC ± -		CUSTOMER DRAWING	RESTRICTED TO		-
3 PLC ± -		SCALE	SHEET		REV
4 PLC ± -		-	2 OF 3		C
ANGLES ± -					
FINISH					

THIS DRAWING IS UNPUBLISHED. RELEASED FOR PUBLICATION  
 © COPYRIGHT - BY - ALL RIGHTS RESERVED.

LOC	DIST	REVISIONS			
P	LTR	DESCRIPTION	DATE	DWN	APVD
-	-	SEE SHEET 1.	-	-	-



NOTES:

1. MATERIAL:
  - 1.1 TRAY: PVC
  - 1.2 SHIPPING CARTON: CORRUGATED FIBERBOARD
2. DIMENSION:
  - 2.1 TRAY: L=560, W=17.8, H=27.4
  - 2.2 SHIPPING CARTON: L=600, W=245, H=195
3. QUANTITY:
  - 3.1 PRIMARY PACKING: 17 PCS/TUBE
  - 3.2 SECONDARY PACKING: 25 TUPE/BOX
  - 3.3 THIRD PACKING: 2 BOX/CARTON(850PCS)
4. CARTON WEIGHT:
  - 4.1 W/O SCREWLOCK  
NET WEIGHT: 8.24 Kg  
GROSS WEIGHT: 9.24 Kg
  - 4.2 WITH SCREWLOCK  
NET WEIGHT: 10 Kg  
GROSS WEIGHT: 11 Kg

THIS DRAWING IS A CONTROLLED DOCUMENT.		DWN			
DIMENSIONS: MM		CHK			
TOLERANCES UNLESS OTHERWISE SPECIFIED:		APVD		NAME	
0 PLC ± - 1 PLC ± - 2 PLC ± - 3 PLC ± - 4 PLC ± - ANGLES ± -		PRODUCT SPEC		RCPT ASM, SZ 1, 15 POSN, RT ANG, FRONT METAL, SHELL AMPLIMITE HD-22	
MATERIAL		FINISH		SIZE	
				CAGE CODE	
				DRAWING NO	
				RESTRICTED TO	
				A3 00779 C=1734344	
				WEIGHT	
				CUSTOMER DRAWING	
				SCALE	
				SHEET 3 OF 3	
				REV C	